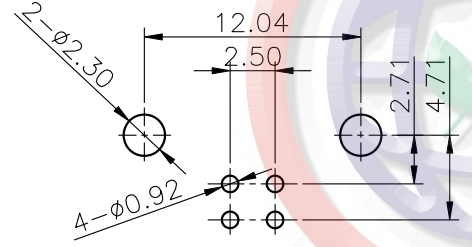
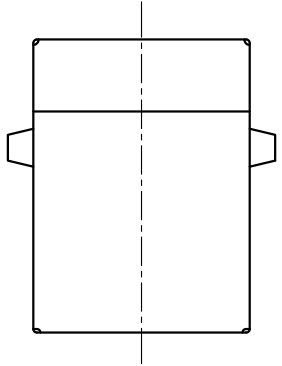


REV.	DESCRIPTION	DRAWN	CHECKED	APPROVED
A	NEW RELEASE	LJH 05/10/05'		LJC 05/10/05'
B	ADD SHELL MATERIAL TYPE	JLZ 04/09/15'		



RECOMMEND PCB LAYOUT
TOLERANCE=±0.05

NOTES:

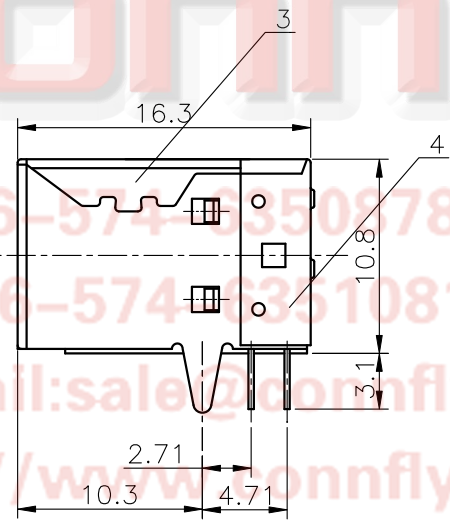
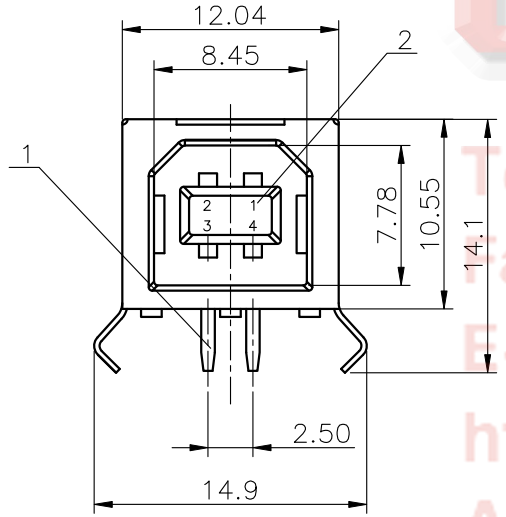
- SPECIFICATIONS:
 - 1.0 CONTACT RESISTANCE:30mΩ max.
 - 1.1 INSULATION RESISTANCE:1000MΩ min.
 - 1.2 CURRENT RATING:1.5A.
 - 1.3 VOLTAGE RATING:30VDC.
 - 1.4 DIELECTRIC WITHSTANDING VOLTAGE:AC 500V FOR 1 Minute.
 - 1.5 OPERATING TEMPERATURE: -25*TO +85*.

- MATERIALS:
 - 2.0 HOUSING:PBT+30% GLASS FIBER(UL 94-0).
 - 2.1 CONTACT:COPPER ALLOY
 - 2.2 SHELL:COPPER ALLOY OR STEEL.

3. PRODUCT NUMBER CODE:

DS1099 - X X X - X

- MATERIAL OF SHELL (B)
 - Fe: Steel
 - N/A: Copper Alloy
- CONTACT PLATING
 - 0: Selective Gold Flash
 - 03: Selective Gold 3u"
 - 30: Selective Gold 30u"
- SHELL PLATING
 - N: Nickel
 - 6: Tin
- COLOR OF HOUSING:
 - W: WHITE
 - B: BLACK
- SERIES No.
 - DS1099 series



Tel:86-574-83508787
Fax:86-574-83510817
E-mail:sales@connfly.com
http://www.connfly.com

Add:East Industry Zone KuangYan
Town Cixi Ningbo China
P.C:315333

		GENERAL TOLERANCE		ANGLE TOLERANCE		PROJECTION		TITLE	
4	BACK SHELL	STEEL	SEE NOTES	X. ±0.60	X. ±5°			USB B TYPE R/A DIP TYPE	
3	FRONT SHELL	COPPER ALLOY OR STEEL	SEE NOTES	.X ±0.38	.X ±3°	UNITS mm			
2	HOUSING	PBT	UL 94 V-0	.XX ±0.25	.XX ±2°	SHEET SIZE A4		SERIES DS1099 SERIES	
1	CONTACT	COPPER ALLOY	SEE NOTES	DRAWING TYPE CUSTOMER		SCALE 1:1		SHEET 1 OF 1	
ITEM	PART NAME	MATERILAS	FINISHED	DRAWING NO. C-DS1099-XXX-X-B					

晨翔电子有限公司
CONNFLY CONNFLY ELECTRONIC CO., LTD