

SPECIFICATIONS

Voltage rating:300V AC,DC

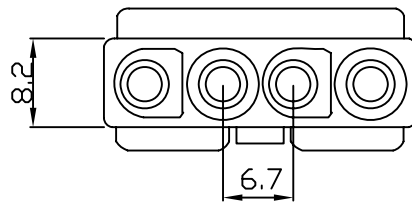
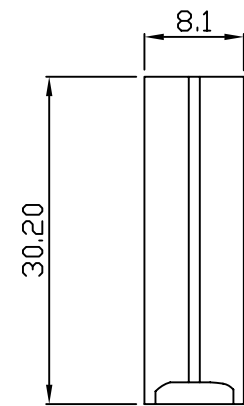
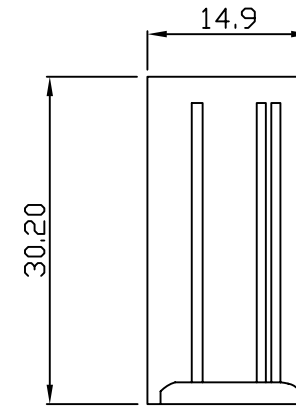
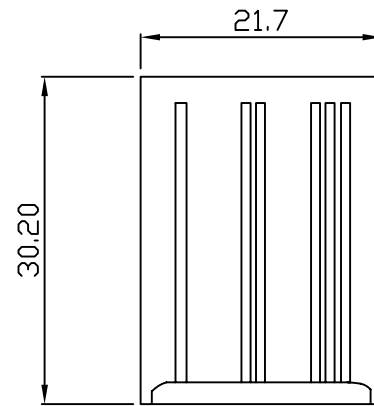
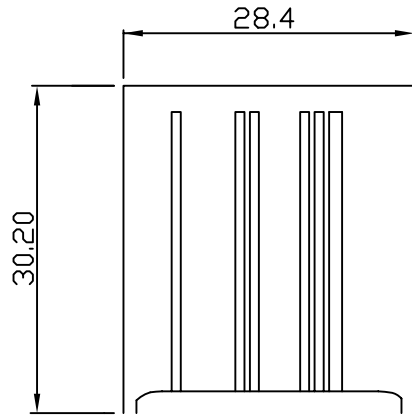
Current rating:12A,AC,DC

Withstanding voltage:1500V AC/minute

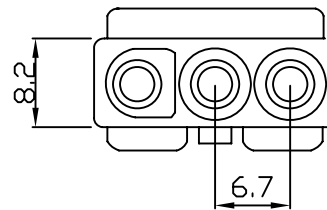
Insulation resistance:1000M  $\Omega$ HM min

Temperature range:-25°C~+85°C

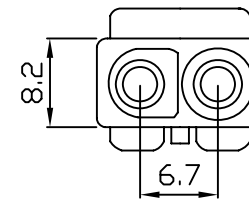
Material:UL94V-2 nylon 66



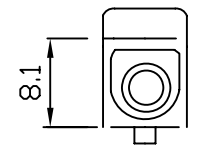
PW 1X04M



PW 1X03M



PW 1X02M



PW 1X01M

**RoHS Compliant**

TOLERANCES ARE

- .X  $\pm$  0.2
- .XX  $\pm$
- .XXX  $\pm$
- AWG