

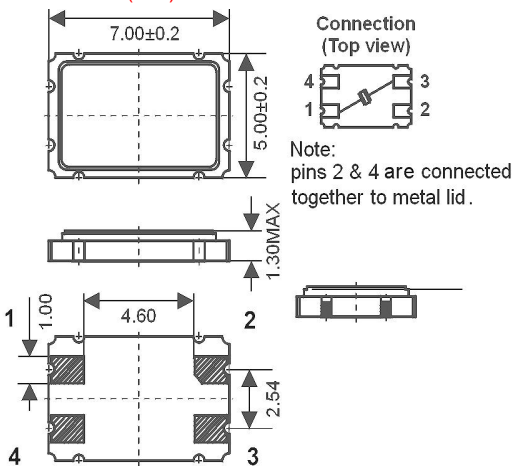


Quartz Crystal

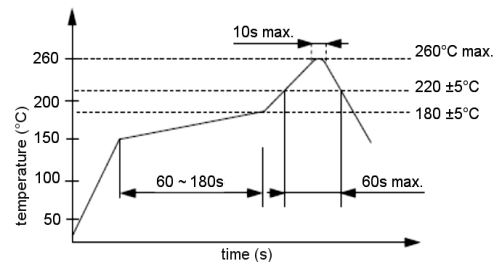
SMD-version

part no.	12.xxxxx		
model	KX - 13		
frequency range	6.0 ~ 160.0 MHz		
mode	fundamental, 3 rd overtone, 5 th overtone		
operating temperature	standard -20° ~ + 70°C available -40° ~ + 85°C (= KX-13T) available -40° ~ +105°C (= KX-13E)		
frequency tolerance at +25°C	standard ±30 ppm available ±10 ~ ±50 ppm		
temperature tolerance at -20° ~ + 70°C -40° ~ + 85°C -40° ~ +105°C	standard ± 50 ppm, available ± 10 ~ ± 30 ppm, standard ± 100 ppm, available ± 20 ~ ± 50 ppm standard ± 120 ppm, available ± 30 ~ ± 80 ppm		
load capacitance C _L	standard 16 pF available 12 ~ 20 pF		
series resistance R ₁ max.	fundamental	6.0 ~ 7.00 MHz	120 Ohm
		7.1 ~ 10.99 MHz	100 Ohm
		11.0 ~ 13.99 MHz	50 Ohm
		14.0 ~ 15.99 MHz	40 Ohm
		16.0 ~ 40.50 MHz	30 Ohm
	3 rd overtone	35.0 ~ 39.99 MHz	100 Ohm
		40.0 ~ 49.99 MHz	80 Ohm
		50.0 ~ 90.00 MHz	50 Ohm
	5 th overtone	90.0 ~ 260.00 MHz	100 Ohm
aging at +25°C (first year) max.	±2 ppm		
shunt capacitance C ₀ max.	7.0 pF		
drive level max.	0.05 mW		
contents of reel	1000 pcs.		

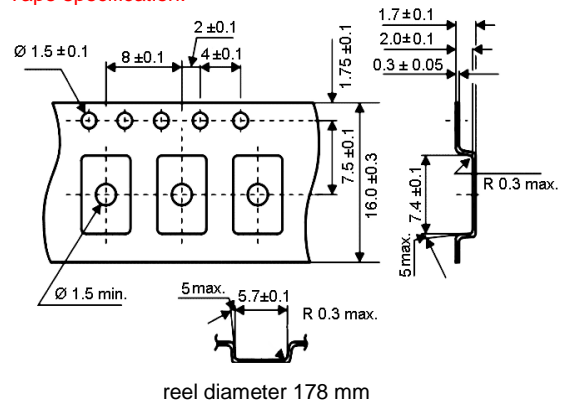
Dimensions (mm):



Reflow soldering condition:



Tape specification:



Suggested soldering pad:

