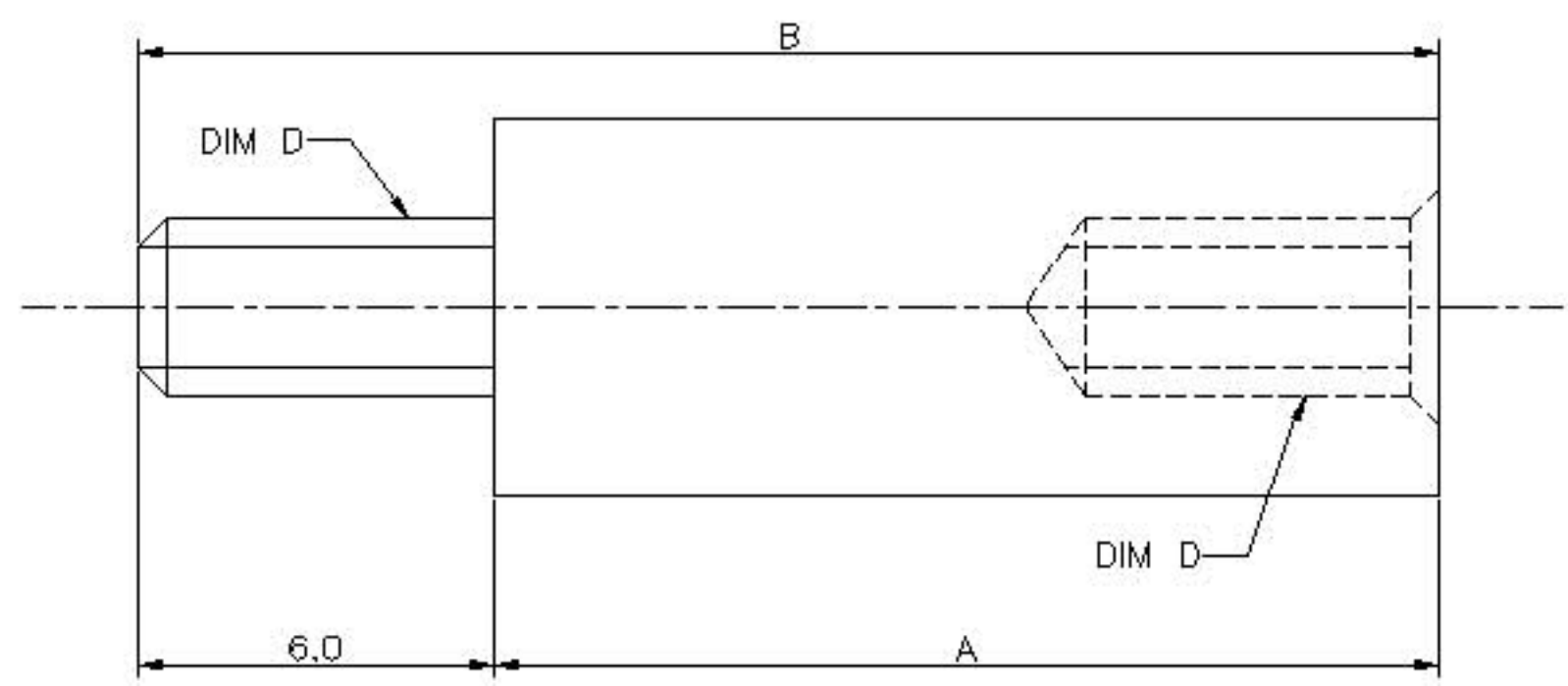
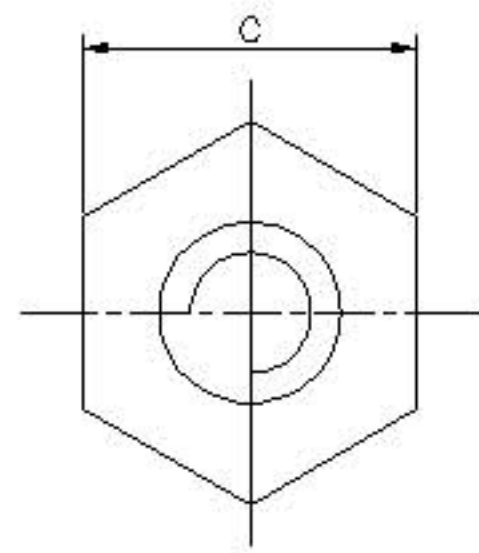


REV.	DESCRIPTION	DRAWN	CHECKED	APPROVED
A	NEW RELEASE	LJC 06/18/05'		



NOTES:

- Materials: Copper alloy.
- Plating: Nickel plating.
- Part number code:
H - LXXXX - XXXX - 5 - 03 - 1N1W
- Thread type: DIM D
03: M3.0
- DIM C:
5: $\phi 5.5\text{mm}$
- DIM B:
1200: 12.0mm
4600: 46.0mm
- DIM A:
0600: 6.0mm
4000: 40.0mm

GENERAL TOLERANCE		ANGLE TOLERANCE	
X.	± 0.30	X.	$\pm 2^\circ$
.X	± 0.20	.X	$\pm 1^\circ$
.XX	± 0.15	.XX	$\pm 0.5^\circ$

DRAWING TYPE	CUSTOMER DRAWING		
SCALE	1:1	SHEET	1 OF 1
DRAWING NO.	H-LXXXX-XXXX-5-03-1N1W		

PROJECTION		TITLE	Screws	
UNITS	mm	SERIES	Hardwares SERIES	
SHEET SIZE	A4	晨翔电子有限公司 CONNFLY CONNFLY ELECTRONIC CO. LTD		