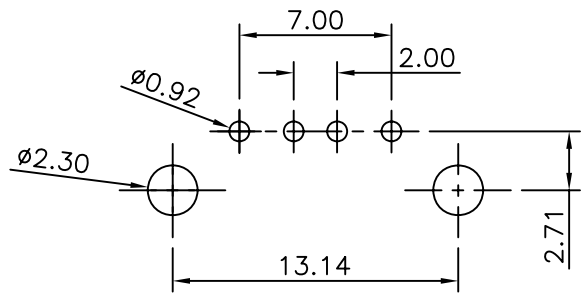
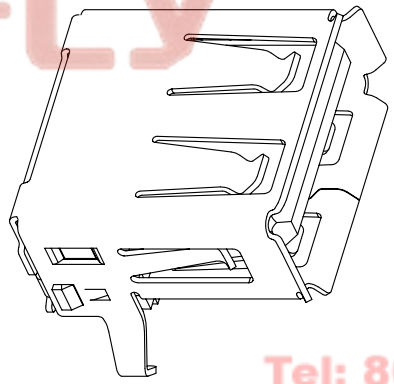
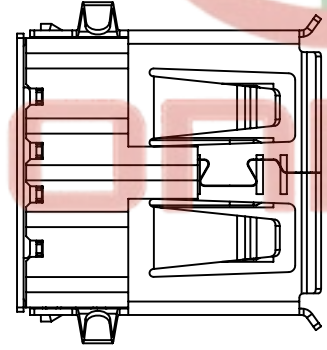
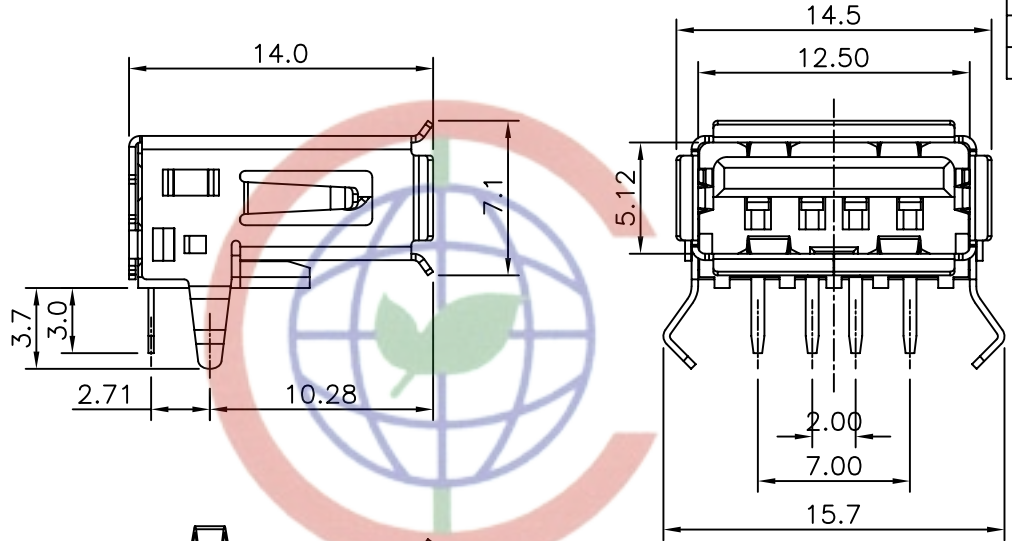


| REV. | DESCRIPTION | DRAWN        | CHECKED | APPROVED |
|------|-------------|--------------|---------|----------|
| A    | NEW RELEASE | LL 11/13/06' |         |          |
|      |             |              |         |          |
|      |             |              |         |          |



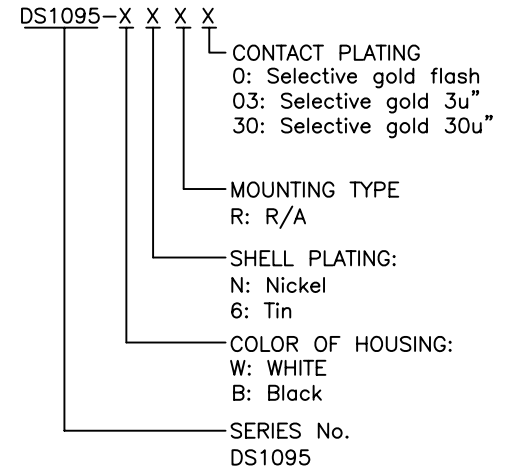
RECOMMEND PCB LAYOUT  
(TOLERANCE=±0.05)

NOTES:

- SPECIFICATIONS:
  - 1.0 CONTACT RESISTANCE: 30mΩ max.
  - 1.1 INSULATOR RESISTANCE: 1000MΩ min. AT DC 500V.
  - 1.2 CURRENT RATING: 1.5A.
  - 1.3 VOLTAGE RATING: 30V AC/DC.
  - 1.4 DIELECTRIC STRENGTH: AC 500V FOR 1 Minute.
  - 1.5 TEMPERATURE RANGE: -40~+105°C.

- MATERIALS:
  - 2.0 HOUSING: PBT+30% GLASS FIBER(UL 94-0).
  - 2.1 CONTACT: COPPER ALLOY
  - 2.2 SHELL: COPPER ALLOY.

3. PRODUCT NUMBER CODE:




Tel: 86-574-63508787

Fax: 86-574-63510817

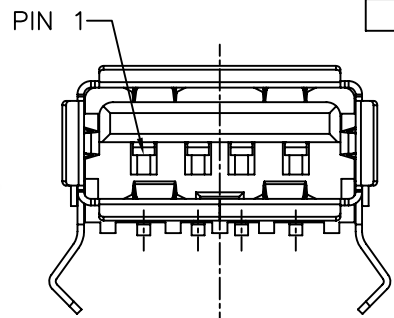
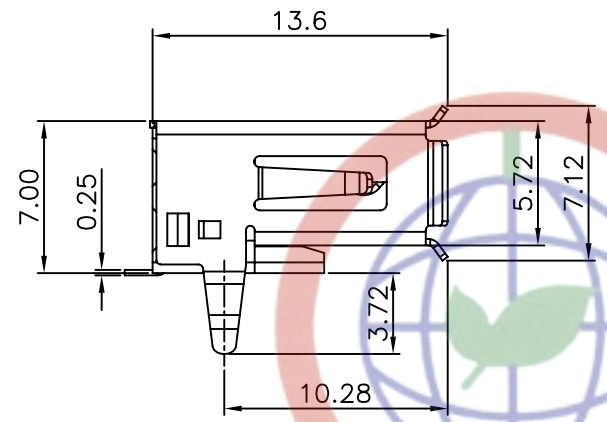
Email: enl@zhongjin.com.cn

Http://www.zhongjin.com.cn

Add.: West 2nd Floor, No. 153, 155, 157, 159, 161, 163, 165, 167, 169, 171, 173, 175, 177, 179, 181, 183, 185, 187, 189, 191, 193, 195, 197, 199, 201, 203, 205, 207, 209, 211, 213, 215, 217, 219, 221, 223, 225, 227, 229, 231, 233, 235, 237, 239, 241, 243, 245, 247, 249, 251, 253, 255, 257, 259, 261, 263, 265, 267, 269, 271, 273, 275, 277, 279, 281, 283, 285, 287, 289, 291, 293, 295, 297, 299, 301, 303, 305, 307, 309, 311, 313, 315, 317, 319, 321, 323, 325, 327, 329, 331, 333, 335, 337, 339, 341, 343, 345, 347, 349, 351, 353, 355, 357, 359, 361, 363, 365, 367, 369, 371, 373, 375, 377, 379, 381, 383, 385, 387, 389, 391, 393, 395, 397, 399, 401, 403, 405, 407, 409, 411, 413, 415, 417, 419, 421, 423, 425, 427, 429, 431, 433, 435, 437, 439, 441, 443, 445, 447, 449, 451, 453, 455, 457, 459, 461, 463, 465, 467, 469, 471, 473, 475, 477, 479, 481, 483, 485, 487, 489, 491, 493, 495, 497, 499, 501, 503, 505, 507, 509, 511, 513, 515, 517, 519, 521, 523, 525, 527, 529, 531, 533, 535, 537, 539, 541, 543, 545, 547, 549, 551, 553, 555, 557, 559, 561, 563, 565, 567, 569, 571, 573, 575, 577, 579, 581, 583, 585, 587, 589, 591, 593, 595, 597, 599, 601, 603, 605, 607, 609, 611, 613, 615, 617, 619, 621, 623, 625, 627, 629, 631, 633, 635, 637, 639, 641, 643, 645, 647, 649, 651, 653, 655, 657, 659, 661, 663, 665, 667, 669, 671, 673, 675, 677, 679, 681, 683, 685, 687, 689, 691, 693, 695, 697, 699, 701, 703, 705, 707, 709, 711, 713, 715, 717, 719, 721, 723, 725, 727, 729, 731, 733, 735, 737, 739, 741, 743, 745, 747, 749, 751, 753, 755, 757, 759, 761, 763, 765, 767, 769, 771, 773, 775, 777, 779, 781, 783, 785, 787, 789, 791, 793, 795, 797, 799, 801, 803, 805, 807, 809, 811, 813, 815, 817, 819, 821, 823, 825, 827, 829, 831, 833, 835, 837, 839, 841, 843, 845, 847, 849, 851, 853, 855, 857, 859, 861, 863, 865, 867, 869, 871, 873, 875, 877, 879, 881, 883, 885, 887, 889, 891, 893, 895, 897, 899, 901, 903, 905, 907, 909, 911, 913, 915, 917, 919, 921, 923, 925, 927, 929, 931, 933, 935, 937, 939, 941, 943, 945, 947, 949, 951, 953, 955, 957, 959, 961, 963, 965, 967, 969, 971, 973, 975, 977, 979, 981, 983, 985, 987, 989, 991, 993, 995, 997, 999

|                   |                 |   |        |  |       |        |
|-------------------|-----------------|---|--------|--|-------|--------|
| GENERAL TOLERANCE | ANGLE TOLERANCE | PROJECTION  | TITLE  | USB A Female Single port<br>Right Angle TYPE |       |        |
| X. ±0.60          | X. ±5°          | mm  |        |  |       |        |
| .X ±0.38          | .X ±3°          | A4  | SERIES | DS1095 SERIES                                |       |        |
| .XX ±0.25         | .XX ±2°         |   |        |  |       |        |
| DRAWING TYPE      | CUSTOMER        |  <b>晨翔电子有限公司</b><br><b>CONNFLY ELECTRONIC CO., LTD</b> |        |  |       |        |
| SCALE             | 1:1             |   |        |  | SHEET | 1 OF 1 |
| DRAWING NO.       | C-DS1095-XXRX   |   |        |  |       |        |

| REV. | DESCRIPTION | DRAWN         | CHECKED | APPROVED |
|------|-------------|---------------|---------|----------|
| A    | NEW RELEASE | LJC 12/20/07' |         |          |
|      |             |               |         |          |
|      |             |               |         |          |



NOTES:

- SPECIFICATIONS:
  - CONTACT RESISTANCE: 30mΩ max.
  - INSULATOR RESISTANCE: 1000MΩ min. AT DC 500V.
  - CURRENT RATING: 1.5A.
  - VOLTAGE RATING: 30V AC/DC.
  - DIELECTRIC STRENGTH: AC 500V FOR 1 Minute.
  - TEMPERATURE RANGE: -40~+105°C.

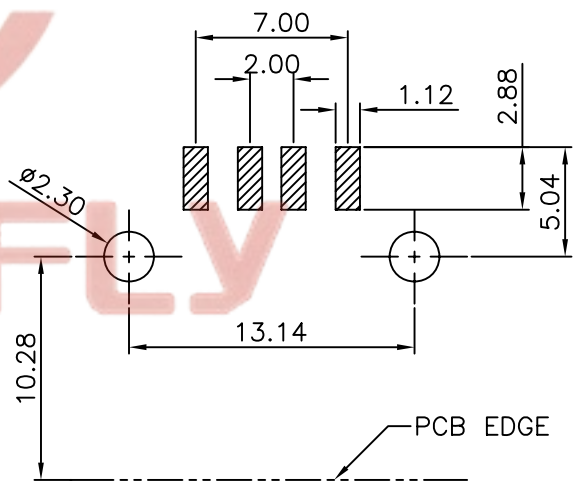
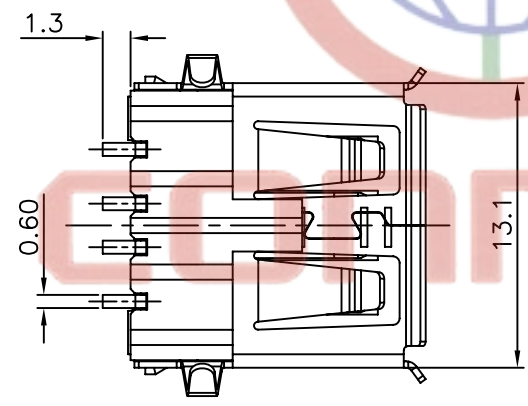
2. MATERIALS:

- HOUSING: HIGH TEMP. THERMOPLASTIC.
- CONTACT: COPPER ALLOY
- SHELL: COPPER ALLOY.

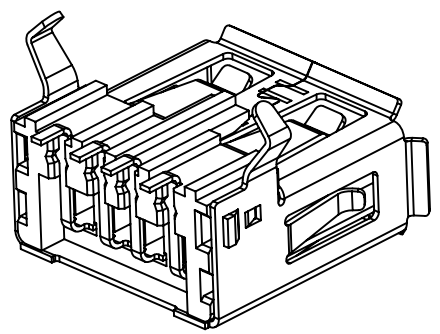
3. PRODUCT NUMBER CODE:

DS1095-X X X X

- CONTACT PLATING
  - 0: Selective gold flash
  - 03: Selective gold 3u"
  - 30: Selective gold 30u"
- MOUNTING TYPE
  - M: SMT
- SHELL PLATING:
  - N: Nickel
  - 6: Tin
- COLOR OF HOUSING:
  - W: White
  - B: Black
- SERIES No. DS1095



RECOMMEND PCB LAYOUT  
(TOLERANCE=±0.05)



Tel: 86-574-63508787

Fax: 86-574-63510817

E-mail: sale@zhengjin.com.cn

Http://www.zhengjin.com.cn

Add: West Yuhoulin Town, Cixi, Ningbo, China

|                   |                 |   |                      |                              |
|-------------------|-----------------|---|----------------------|------------------------------|
| GENERAL TOLERANCE | ANGLE TOLERANCE | PROJECTION  | TITLE                | USB Female A TYPE SMT series |
| X. ±0.60          | X. ±5°          | UNITS mm  |                      |                              |
| .X ±0.38          | .X ±3°          | SHEET SIZE A4   | SERIES DS1095 SERIES |                              |
| .XX ±0.25         | .XX ±2°         |   |                      |                              |
| DRAWING TYPE      | CUSTOMER        | <b>晨翔电子有限公司</b><br><b>CONNFLY ELECTRONIC CO., LTD</b> |                      |                              |
| SCALE             | 1:1             |   |                      |                              |
| DRAWING NO.       | C-DS1095-XXMX   |   |                      |                              |