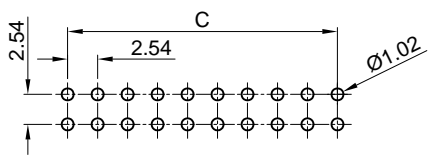
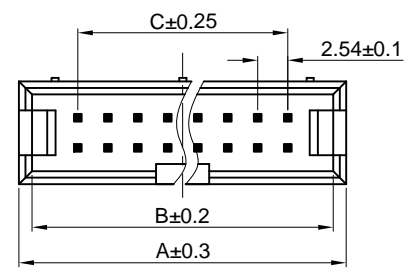
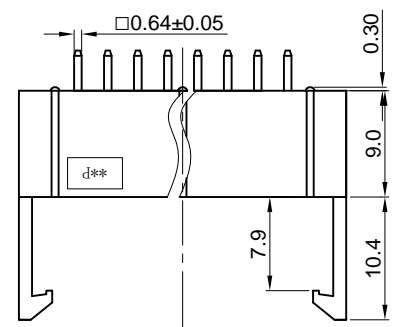
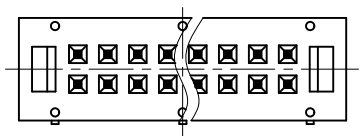


Dept	
Qty	
DC	1
ED	1
IE	1
ISO	1
PD	1
R&D	1
SD	1

QA	1
QC	1
QF	1

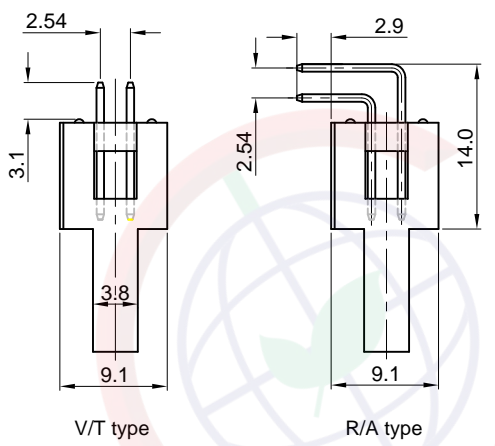
The information provided herein is from CONNELY Electronic Co., Ltd. and is confidential. Any disclosure to a party other than the recipient is prohibited. The intellectual properties and its rights contained herein, including but not limited to, trademarks, patents, copyrights, trade secrets, and technical know-how, are owned exclusively by CONNELY or its affiliates. Unauthorized use or reproduction of any part of this document without the prior written permission of CONNELY may result in legal action. CONNELY may enforce its intellectual property rights at its own discretion, failures or delays to exercise such rights does not constitute a waiver of such rights.



Recommend PCB layout(Tolerance:±0.05)



(Series Image-Reference Only)



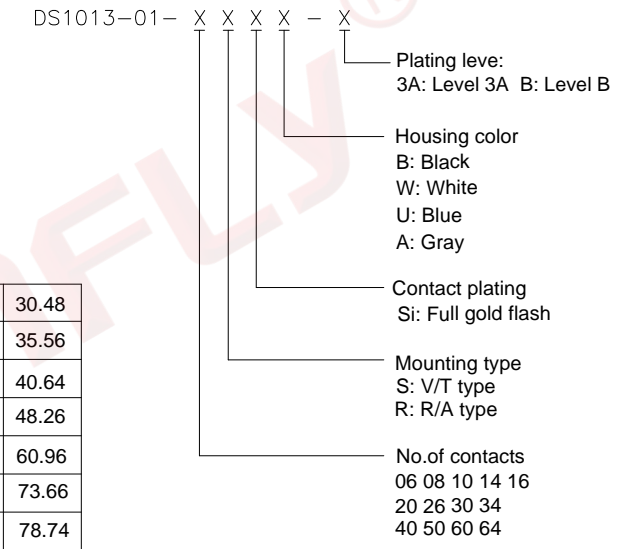
Dimension

Position	A	B	C				
06	15.22	13.02	5.08	26	40.62	38.42	30.48
08	17.76	15.56	7.62	30	45.70	43.50	35.56
10	20.30	18.10	10.16	34	50.78	48.58	40.64
12	22.84	20.64	12.70	40	58.40	56.20	48.26
14	25.38	23.18	15.24	50	71.10	68.90	60.96
16	27.92	25.72	17.78	60	83.80	81.60	73.66
20	33.00	30.80	22.86	64	88.88	86.68	78.74

REV.	DESCRIPTION	DRAWN	CHECKED	APPROVED
A	NEW RELEASE	YCH 12/18/09'		LJC 12/18/09'
B	ADD P/N CODE	YCH 12/02/13'		LJC 12/02/13'
C	DRAWING UPDATE	JLZ 08/24/18'		

Notes:

- Electrical Characteristics:
  - Contact Resistance: 20mΩ Max.
  - Dielectric Withstanding Voltage: 600V AC(rms) For 1 Minute.
  - Insulation Resistance: 1000MΩ Min.
  - Current Rating:3A.
- Environment Characteristics:
  - Temperature: -40°C~+105°C.
- Materials:
  - Contact Material: Copper Alloy.
  - Contact Plating: Gold Plating Over Nickel.
  - Insulator Material: PA-66,Black.
- Product Number Code:



GENERAL TOLERANCE		ANGLE TOLERANCE		PROJECTION		TITLE	BOX HEADER PITCH 2.54mm WITH LATCH TYPE	
X.	±0.60	X.	±5°	UNITS	mm	SHEET SIZE	A4	
.X	±0.38	.X	±3°			SERIES	DS1013-01 SERIES	
.XX	±0.25	.XX	±2°					
DRAWING TYPE		CUSTOMER		<b>晨翔电子有限公司</b> CONNELY ELECTRONIC CO. LTD				
SCALE		1:1						
DRAWING NO.		C-DS1013-01-XXXX-X-C						
		SHEET	1 OF 1					