



Data sheet Product PK 1

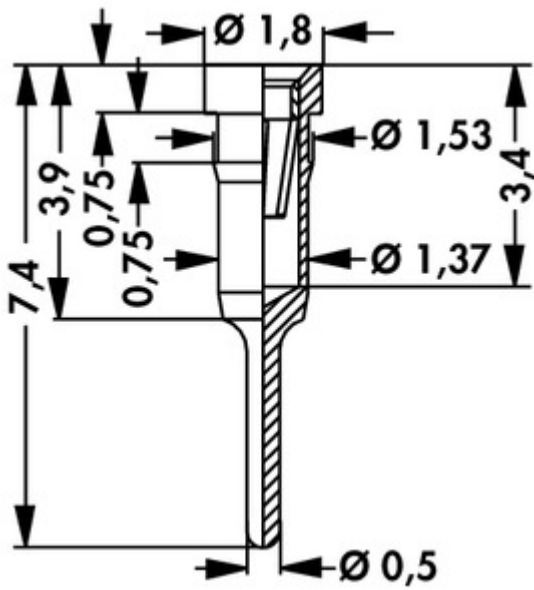


Sockets > High-precision contacts,
loose
Female contacts for \varnothing 0.5 mm,
Rundstift

Features

contact material	CuZn-alloy
contact spring	gold-plated
surface contact / contact sleeve	<ul style="list-style-type: none"> • Ni+\geq0.2μm Au • Ni+4...6μm Sn
inner contact spring material	CuBe-alloy
inner contact spring surface	Ni+0,25 μ m Au
insert depth	2.5...3.6mm
insertion / drawing force	<ul style="list-style-type: none"> • 4 lamellas contact • 1.8 N/1.4 N
type	female
nominal current	1.5 A
nominal voltage	60 V DC
test voltage	1000 V
plug-in cross-section	0,22x0,25mm ...0,40x0,55mm
surface of contact	<ul style="list-style-type: none"> • gold-plated • tin-plated
connection type	soldering
grid	2.54 mm

Technical Drawing



Fischer Elektronik GmbH & Co. KG
DEUTSCHLAND • GERMANY • ALLEMAGNE

Nottebohmstraße 28
58511 Lüdenscheid

Telefon +49 2351 435-0
Telefax +49 2351 45754

info@fischerelektronik.de
www.fischerelektronik.de