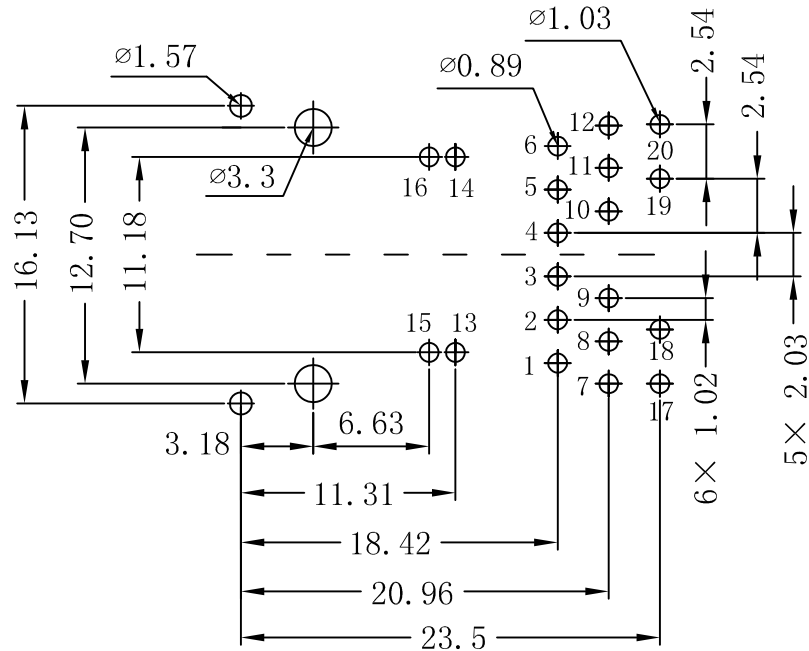
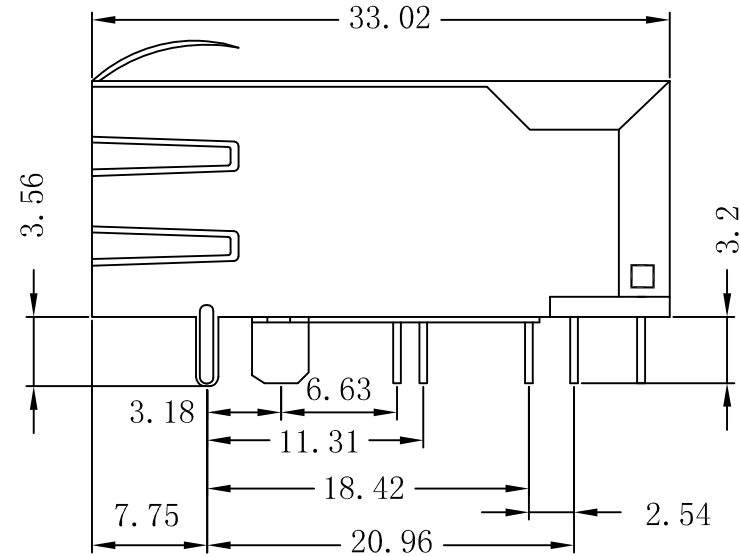
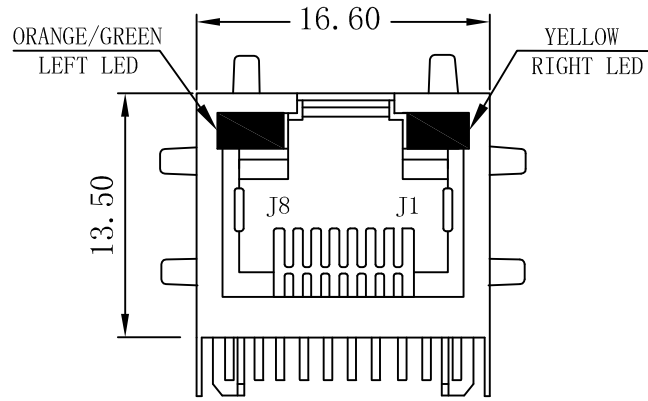


Mechanical :

REV.	ECN NO.	DESCRIPTION	DATE	APPD
A	REL		2010/08/20	



SUGGESTED PCB LAYOUT (TOP VIEW)

NOTES:

1. Designed to support application, such as SOHO (ADSL modems), LAN-on-Motherboard (LOM), hub and Switches.
2. Meets IEEE 802.3 specification
3. Connector Materials:
Housing: Thermoplastic UL94V-0
Contact/Shield: Copper alloy
Shield plating: Nickel
Contact plating: Gold 6 micro-inches min. In contact area.
4. Wave solder tip temperature: 265°C Max
Wave solder tip temperature time: 5 Sec Max
5. UL Certification: File Number E321120

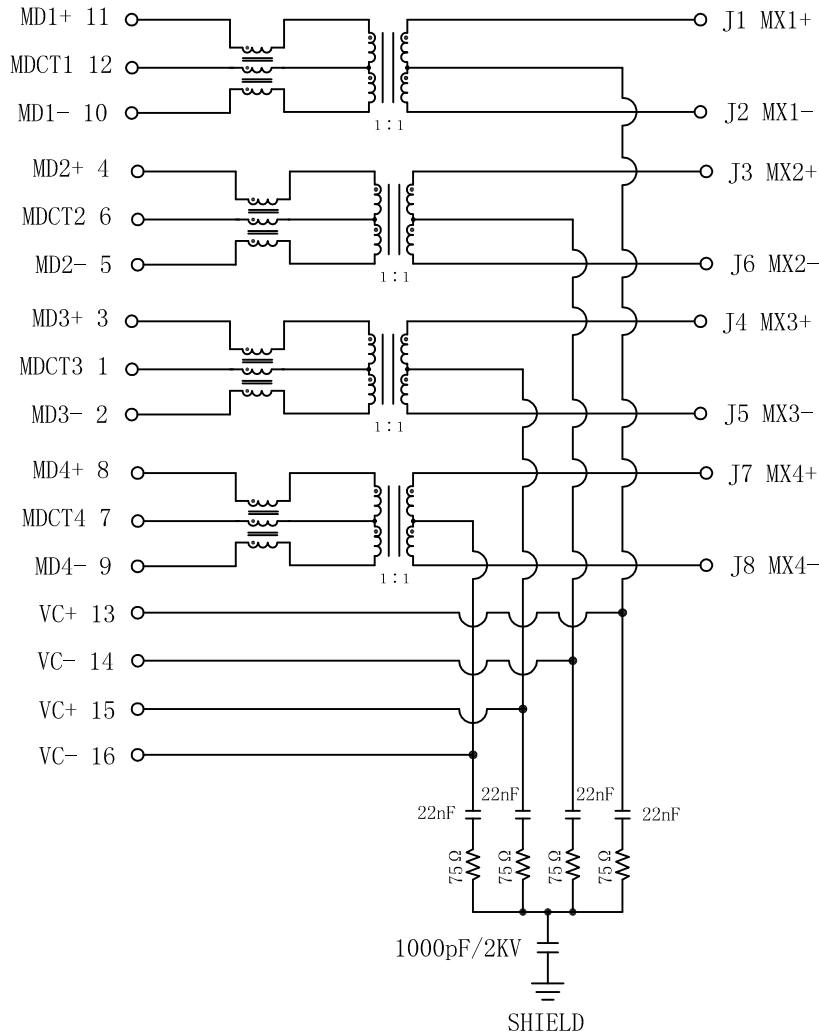


X:X	±0.20	APPD:	Trxcom
X:XX	±0.10	CHKD:	
X:XXX	±0.05	DR: C.H.Y	TITLE: RJ45 Connector with 1000 Base-TX Integrated Magnetic & PoE
ANGLES	±1°	UNIT: mm	PART NO.: TRJK6064A0NL
	SCALE: 2/1	SHEET: 1/2	REV: A
			DWG NO.: TRC10082006

Schematic :

REV.	ECN NO.	DESCRIPTION	DATE	APPD
A	REL		2010/08/20	

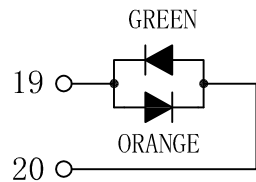
PC BOARD CONNECTIONS



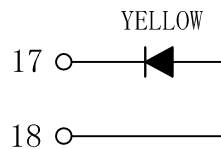
RJ45 CONNECTOR

Electrical Specifications @25°C

- Inductance: 350uH Min
@ 100KHz, 0.1V, 8mA DC BIAS
- Turns Ratio(±2%) :
TX=1CT:1 RX=1CT:1
- Insertion Loss:
1-100MHz:-1.0dB Max
- Return Loss(load 100Ω) :
1-30MHz:-18dB Min
30-60MHz:-16dB Min
60-80MHz:-12dB Min
80-100MHz:-10dB Min
- Crosstalk:
1-100MHz:-30dB Min
- Common Mode Rejection:
1-100MHz:-30dB Min
- HI-POT:1500Vrms Min @60Hz
- BALANCED DC LINE CURRENT 720mA MAX @ 57VDC CONTINUOUS
1.2A MAX @ 57VDC FOR 200 MILLISECONDS
- LED 1
VF (FORWARD VOLTAGE) IF=20mA YELLOW 2.1V TYP.
AD (DOMINANT WAVELENGTH) IF=20mA YELLOW 589nm TYP.
- LED 2
VF (FORWARD VOLTAGE) IF=20mA GREEN 2.1V TYP.
ORANGE 2.1V TYP.
AD (DOMINANT WAVELENGTH) IF=20mA GREEN 570nm TYP.
ORANGE 605nm TYP.
- Operating Temperature: -40°C~+85°C.



LEFT LED 2



RIGHT LED 1

X:X	±0.20	APPD:	Trxcom	
X:XX	±0.10	CHKD:	ShenZhen Trxcom Electronics Co.,ltd	
X:XXX	±0.05	DR: C.H.Y	TITLE: RJ45 Connector with 1000 Base-TX Integrated Magnetic & PoE	
ANGLES	±1°	UNIT: mm	PART NO. :	TRJK6064AONL
	SCALE: 2/1	SHEET: 2/2	REV: A	DWG NO. : TRC10082006