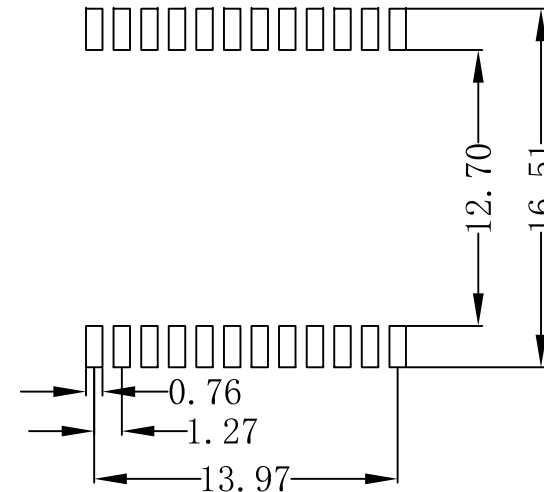
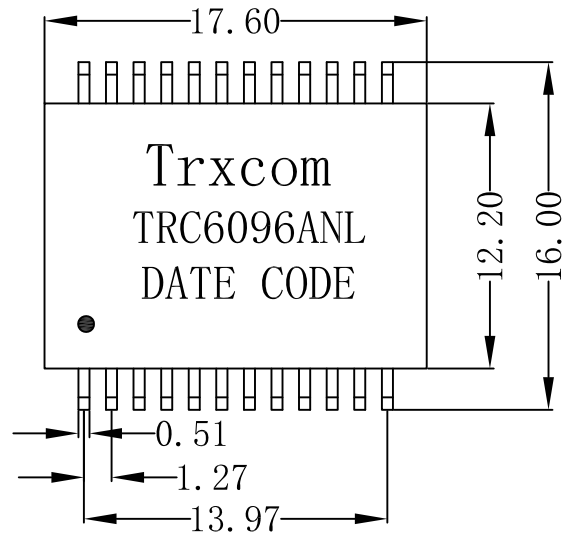
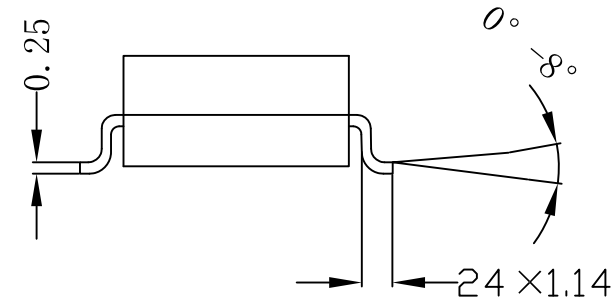
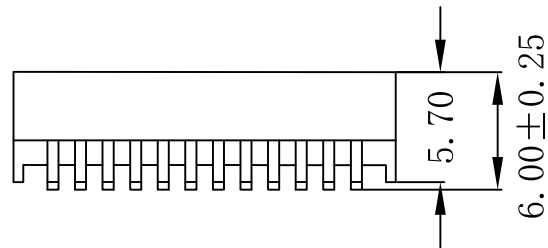


Mechanical:

REV.	ECN NO.	DESCRIPTION	DATE	APPD
A	REL		06/11/2009	



SUGGESTED PAD LAYOUT



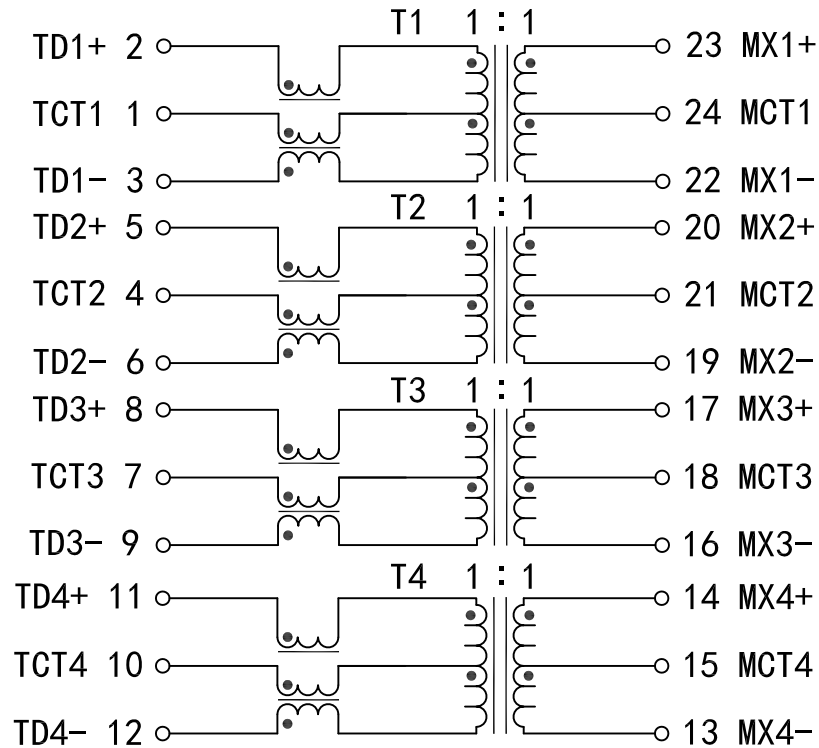
NOTES:

1. Gigabit Transformer Modules With Power Over Ethernet Option
2. Exceeds IEEE 802.3at requirements with up to 1Amp supply current over 2 pairs
3. For RoHS part add suffix NL
4. Maximum reflow temperature is 250°C, 5 Sec.
5. UL Certification: File Number E321120.



X:X	APPD:	Trxcom	
X:XX ±0.25	CHKD:	Huizhou Trxcom Electronics Co., Ltd	
X:XXX	DR: SEA	TITLE: 1000Base-T Magnetic Modules For PoE+ Application	
ANGLES ±1°	UNIT: mm	PART NO.: TRC6096ANL	
	SCALE: 2/1	SHEET: 1/4	REV: A DWG NO.: TRC09110623

Schematic:



REV.	ECN NO.	DESCRIPTION	DATE	APPD
A	REL		06/11/2009	

Electrical Specification @25°C

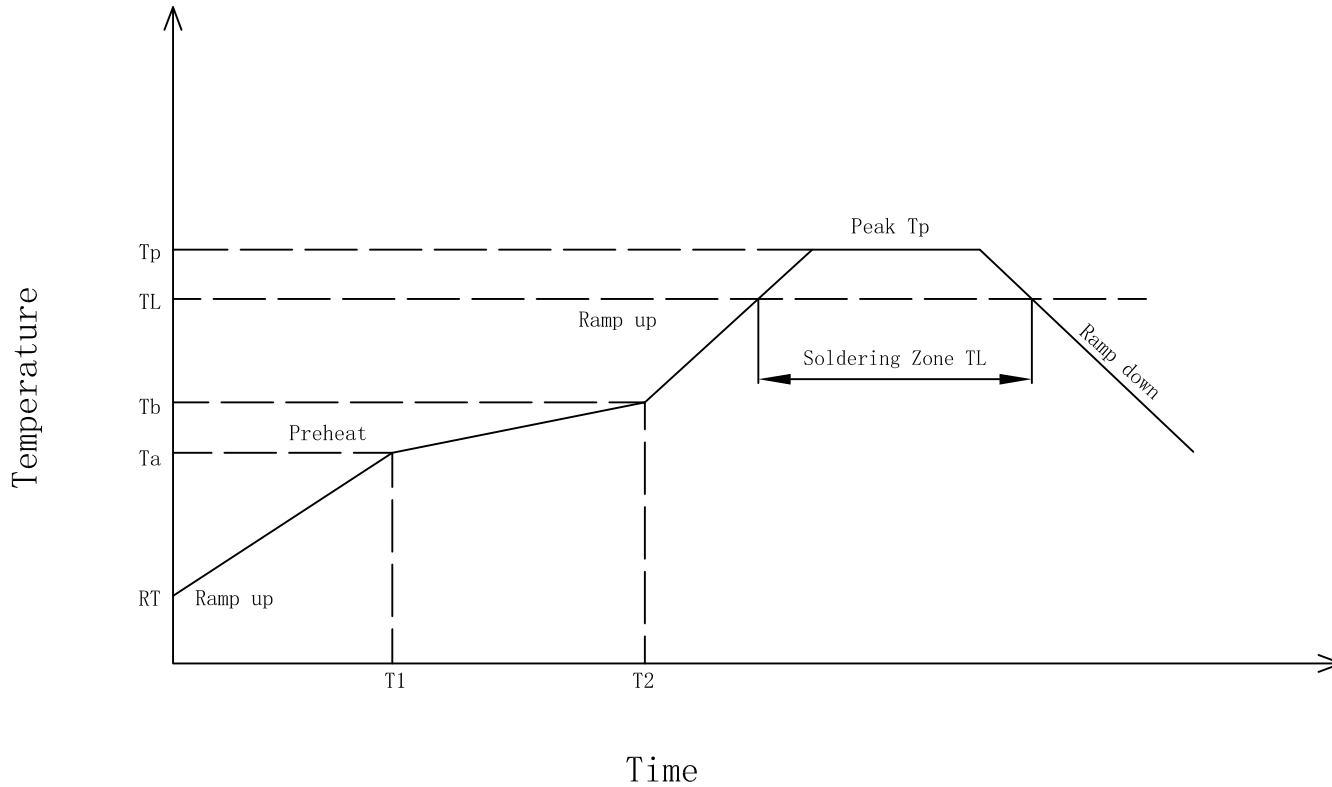
- Turns Ratios:
Pri:Sec = 1CT:1CT
- Insertion Loss:
0.1MHz: -1.2dB Max
1-125MHz: $-0.2-0.002*f^{1.4}$ dB Max
- Return Loss ($Z_{OUT} = 100\Omega \pm 15\%$):
1-40MHz: -16dB Min
40-100MHz: $-10+20*LOG_{10}(f/80MHz)$ dB Min
- Crosstalk:
1MHz: -50dB Min
10-100MHz: $-55+22*LOG_{10}(f/10)$ dB Min
- CMRR (dB Min):
2MHz: -50
30-200MHz: $-15+20*LOG_{10}(f/200)$
- DC Resistance, 1/2Winding: 0.30Ω Typ
- DCR Balance: $\pm 0.05\Omega$ Max (Center tap symmetry)
- OCL:
(1) 350uH Min @20mA DC Bias
(2) 120uH Min @30mA DC Bias
- Temperature rise of 35°C when supplying 1 Amp continuous over 2 pairs
- Hipot: 1500Vrms
- Operating Temperature: -40°C ~ +85°C.



X:X	APPD:	Trxcom		
X:XX ±0.25	CHKD:	Huizhou Trxcom Electronics Co., Ltd		
X:XXX	DR: SEA	TITLE: 1000Base-T Magnetic Modules For PoE+ Application		
ANGLES ±1°	UNIT: mm	PART NO.: TRC6096ANL		
	SCALE: 2/1	SHEET: 2/4	REV: A	DWG NO.: TRC09110623

IR Reflow:

REV.	ECN NO.	DESCRIPTION	DATE	APPD
A	REL		06/11/2009	



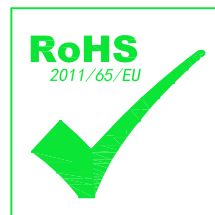
Preheat:
 Temperature (Ta-Tb) : 150-200°C
 Time (T1-T2) : 60-180s

Holding Temperature: 217°C
 Time (TL) : 60-150s

Max Temperature (Tp) : 250 (+0/-5°C)
 Max Time (Tp) : 30s

The average speed: 3°C/S Max
 The average cooling speed: 6°C/S Max

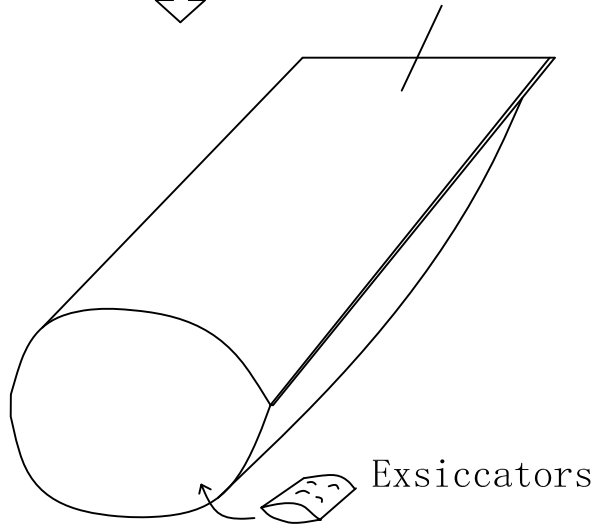
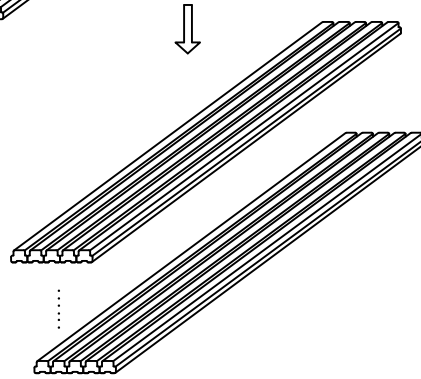
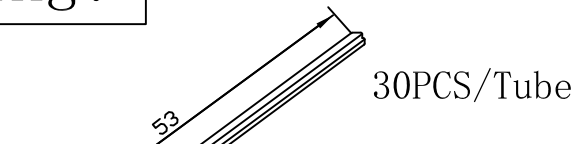
From 25°C to Products out of the furnace: 6 minutes Max



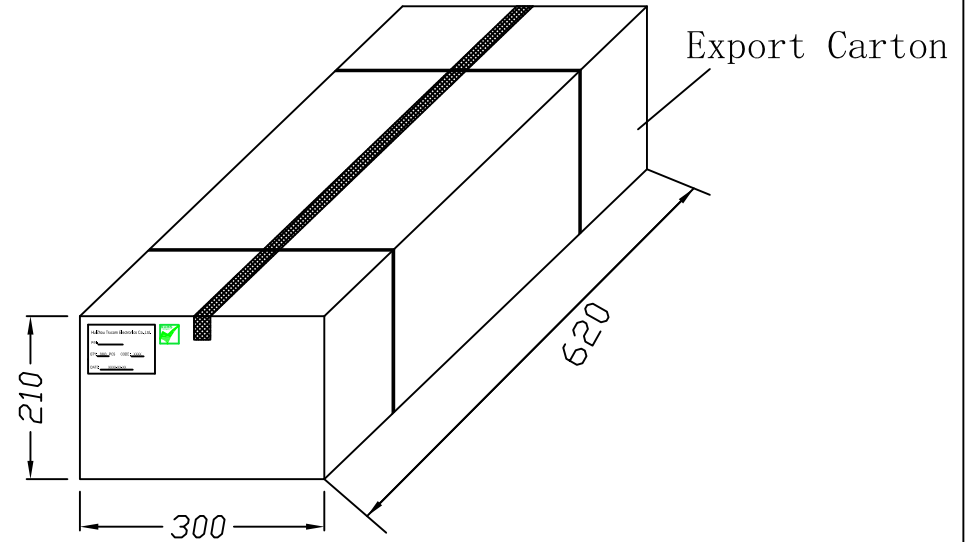
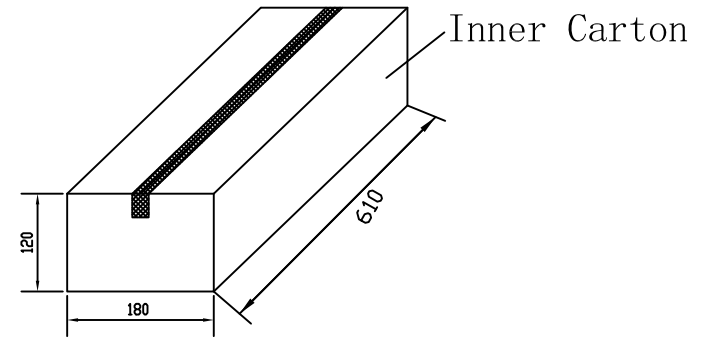
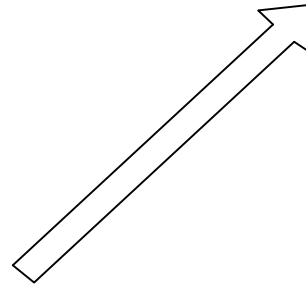
X:X	APPD:	Trxcom Huizhou Trxcom Electronics Co., ltd
X:XX ±0.25	CHKD:	
X:XXX	DR: SEA	
ANGLES ±1°	UNIT: mm	TITLE: 1000Base-T Magnetic Modules For PoE+ Application
		PART NO.: TRC6096ANL
	SCALE: 2/1	SHEET: 3/4
	REV: A	DWG NO.: TRC09110623

Packing:

REV.	ECN NO.	DESCRIPTION	DATE	APPD
A	REL		06/11/2009	



- ◆ 1 Tube = 30PCS
- ◆ 1 Inner Carton = 56Tube = 1680PCS
- ◆ 1 Export Carton = 2 Inner Carton = 3360PCS
- ◆ Net Weight: 15kg
- ◆ Gross Weight: 17kg



X:X	APPD:	Trxcom Huizhou Trxcom Electronics Co.,ltd
X:XX ±0.25	CHKD:	
X:XXX	DR: SEA	TITLE: 1000Base-T Magnetic Modules For PoE+ Application
ANGLES ±1°	UNIT: mm	PART NO.: TRC6096ANL
	SCALE: 2/1	SHEET: 4/4
	REV: A	DWG NO.: TRC09110623