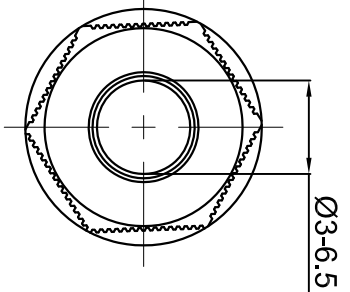
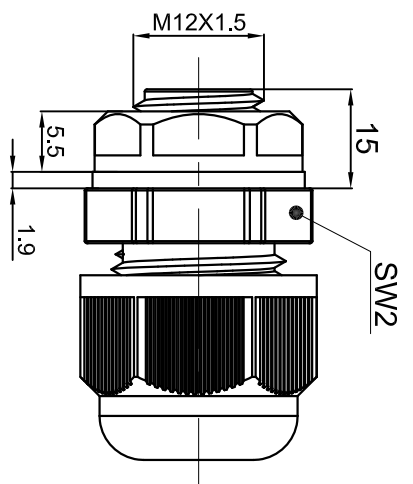
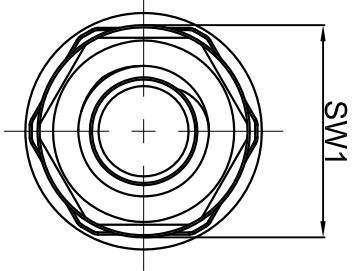
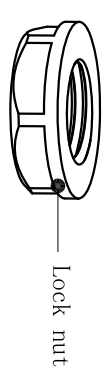
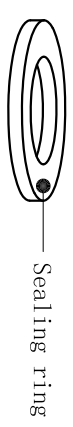
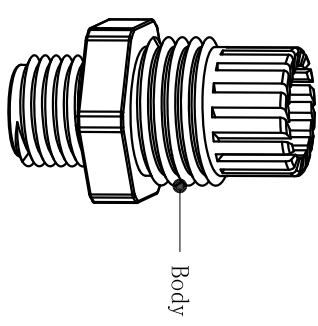
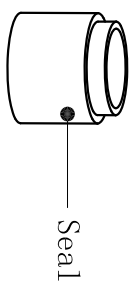
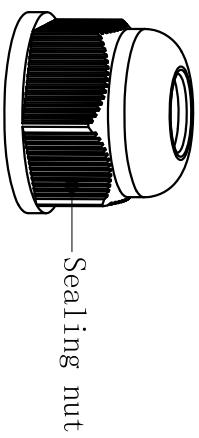


Plastics Cable gland

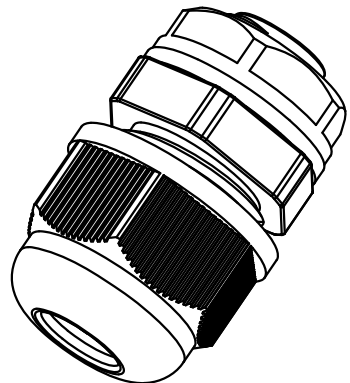


Metric	Claping range (Ø)	SW1	SW2
M12x1.5	3-6.5	17	16

REVISION RECORD				
REV	ECN	DESCRIPTION	DRFT	DATE



Plastics Cable gland
 Material: Nylon
 Seal Material: NBR
 Degree of protection: IP68
 Temperature range: -40~100°C
 Color: Black



DETACHED LISTS			
PART NO.:	/	NAME:	DEGSON® NINGBO DEGSON ELECTRICAL CO., LTD 宁波高松电子有限公司
APPD:		TITLE:	CUSTOMER DRAWING
CHKD:		DRAWING NO.:	DDL-M12PL-00AH
DRFT:	Mr. Yang2016.08.18	DO NOT SCALE DRAWING	SCALE
THIRD ANGLE PROJECTION		1/1	DO-1