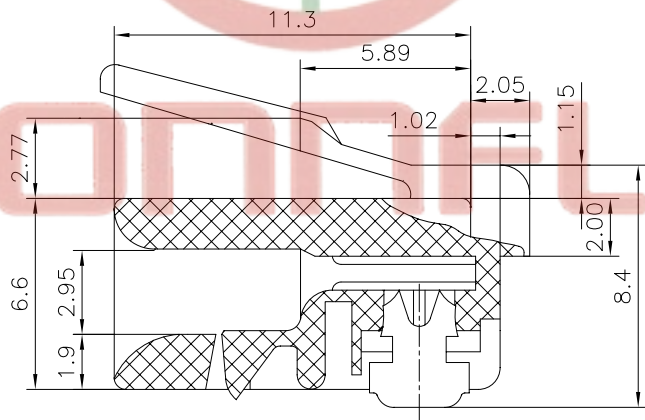
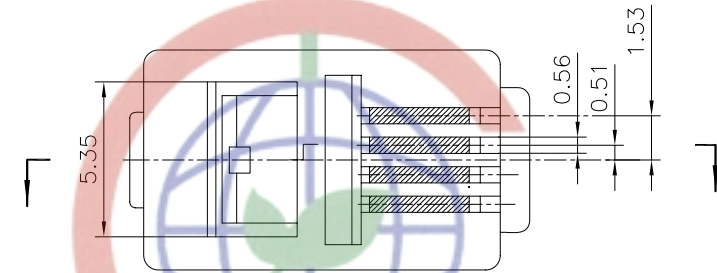
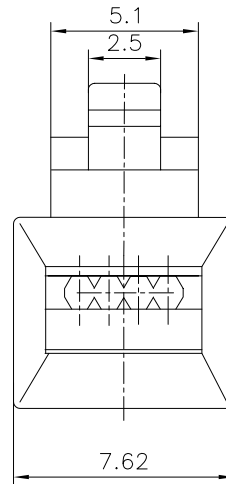


REV.	DESCRIPTION	DRAWN	CHECKED	APPROVED
A	NEW RELEASE	LL 06/28/06'		



SECTION A-A



SPECIFICATION

1. Insulation Resistance:1000MΩ Min.
2. Withstand Voltage:500V AC/Minute.
3. Durability:600 Cycles Min.
4. Contact resistance:50mΩ max.
5. Product Number Code:

DS1121 - X X X X

- Housing Color  
T:Transparent
- Contact Plating  
0:Gold Flash 15:15u''Au  
3:3u''Au 30:30u''Au  
6:6u''Au
- No.Of Contacts  
4:4p4c
- Connector Type  
P:Plug
- Series No.  
DS1121

Tel: 86-574-63508787

Fax: 86-574-63510817

No.	PART NAME	Q'TY	MATERIAL	REMARK
(2)	BLADE	4	Copper alloy	GOLD PLATING
(1)	HOUSING	1	PC	UL94 V-0 OR 94 V-2

GENERAL TOLERANCE		ANGLE TOLERANCE	
X.	±0.60	X.	±5'
.X	±0.38	.X	±3'
.XX	±0.25	.XX	±2'

DRAWING TYPE	CUSTOMER	
SCALE	1:1	SHEET 1 OF 1
DRAWING NO.	C-DS1121-XXXX	

PROJECTION	TITLE
UNITS mm	RJ 45 4P Plug
SHEET SIZE A4	SERIES DS1121 SERIES

 晨翔电子有限公司  
CONNFLY CONNFLY ELECTRONIC CO. LTD