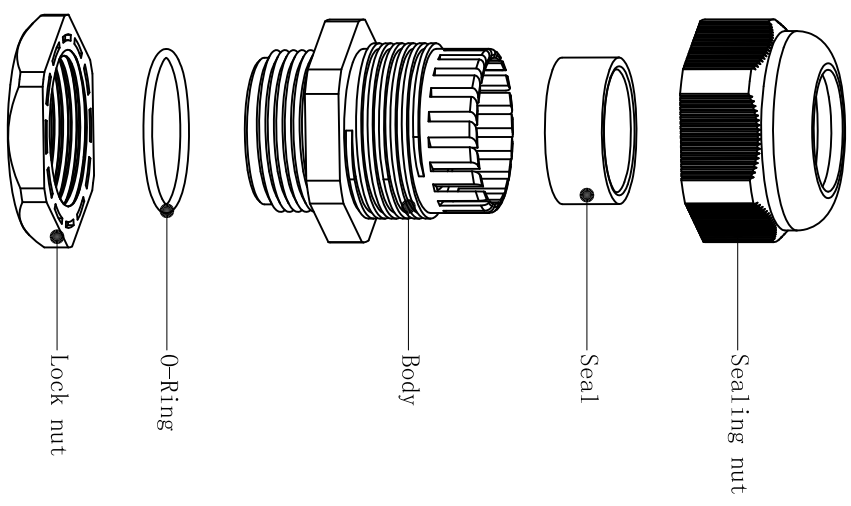
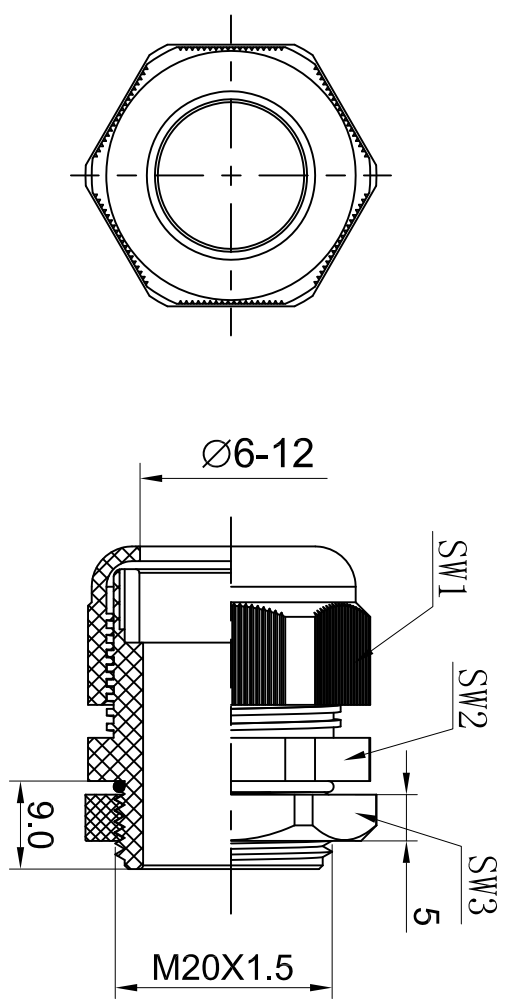


Plastics Cable gland

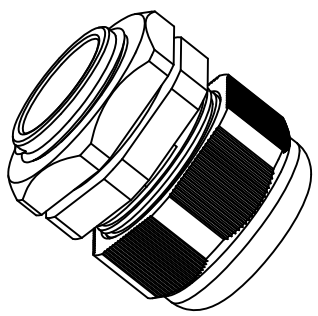


Metric	Claping range (Ø)	SW1	SW2	SW3
M20x1.5	6-12	23.5	23.5	27

REVISION RECORD				
REV	ECN	DESCRIPTION	DRFT	DATE



Plastics Cable gland
 Material: Nylon
 Seal Material: NBR
 Degree of protection: IP68
 Temperature range: -40~100°C
 Color: Black



DETACHED LISTS			
PART NO.:	/	NAME:	DEGSON 宁波高松电子有限公司 NINGBO DEGSON ELECTRICAL CO., LTD
APPD:		NAME:	DDL-M20P-00AH
CHKD:		TITLE:	CUSTOMER DRAWING
DRFT:	Mr. Yang2016.08.18	DRAWING NO.:	
THIRD ANGLE PROJECTION		DO NOT SCALE DRAWING	SCALE
REV	DO-1	SHEET	1/1

A 8 7 6 5 4 3 2 1