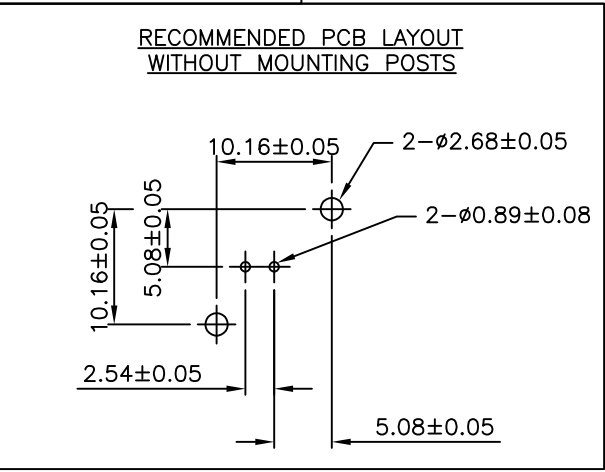
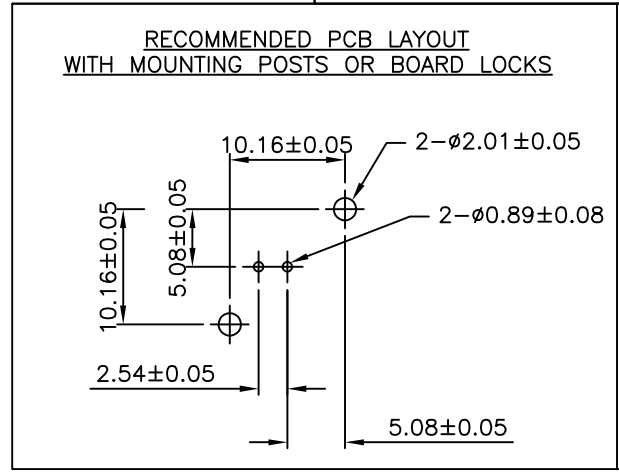
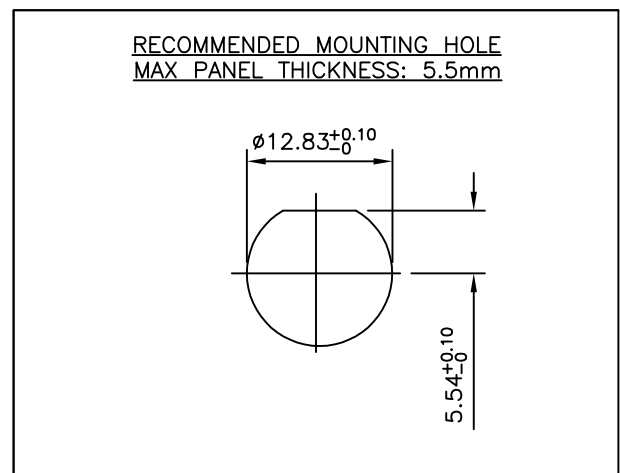
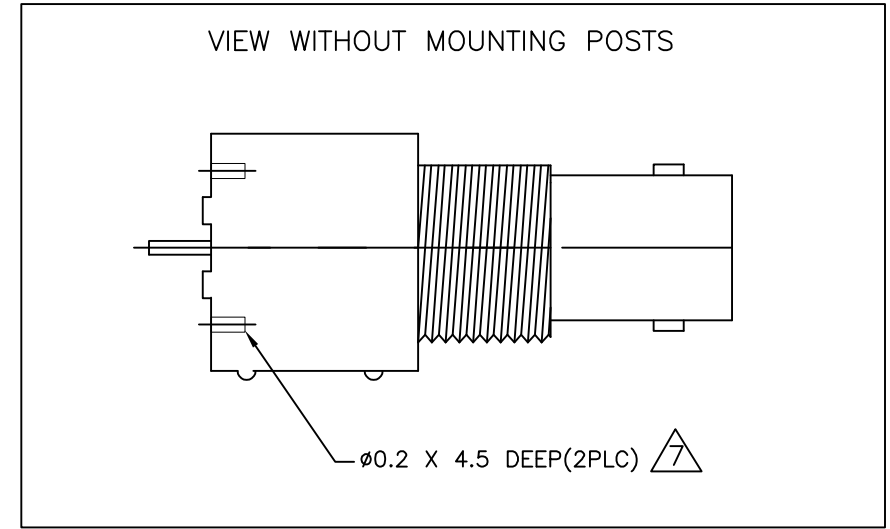
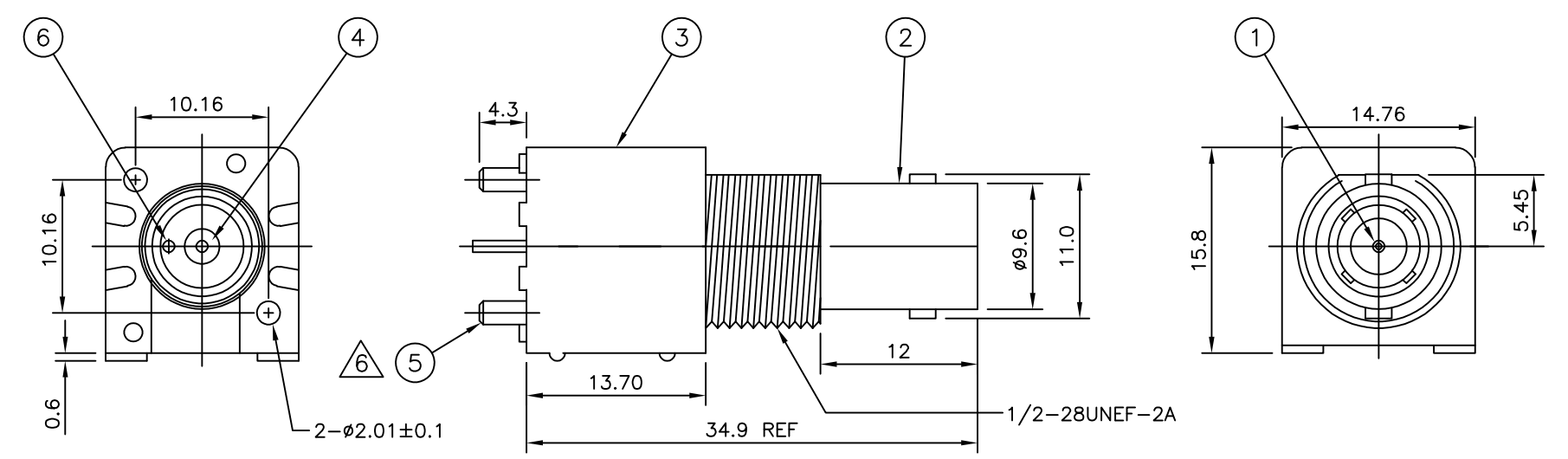


THIS DRAWING IS UNPUBLISHED. RELEASED FOR PUBLICATION AUGUST, 2005.  
 © COPYRIGHT 2005 By - ALL RIGHTS RESERVED.

LOC	DIST	REVISIONS			
P	LTR	DESCRIPTION	DATE	DWN	APVD
E	B	F	ECO-13-005274	05JULY2013	RZ MY

- NOTES:**
- 1 SINGLE PACK IN ACCORDANCE WITH AMP SPEC 107-3275
  - 2 100 TRAY PACK IN ACCORDANCE WITH AMP SPEC 107-3275
  - 3 Au PLATING OVER Ni PLATING OVER Cu PLATING
  - 4 Ni PLATING OVER Cu PLATING
  - 5 TIN PLATING
  - 6 MOUNTING POSTS ARE OPTIONAL SEE TABLE FOR PART NUMBERS
  - 7 RECOMMENDED SELF-TAPPING SCREW 221108-4
  - 8. RECOMMENDED MOUNT NUT 1-1634816-0
  - 9. RECOMMENDED LOCKWASHER 1-1634817-0
  - 10. FOR TECHNICAL DATA REFER TO YOUR LOCAL TE CONNECTIVITY SALES OFFICE
  - 11. ALL DIMENSIONS ARE NOMINAL FOR REFERENCE ONLY UNLESS OTHERWISE STATED



QTY	QTY	QTY	QTY	MATERIAL	DESCRIPTION	ITEM
1	1	1	1	BRASS	SOLDER TAIL	6
-	-	1	1	BRASS	MOUNTING POST	5
1	1	1	1	PE-606	INSULATOR	4
1	1	1	1	PBT WHITE	HOUSING	3
1	1	1	1	ZINC ALLOY	BODY	2
1	1	1	1	BRASS	CONTACT	1
6--1	1--1	6--0	1--0			
2	1	2	1			

QUANTITY PER ASSY

THIS DRAWING IS A CONTROLLED DOCUMENT.

DWN RITA ZUO 04 Mar 09  
 CHK ANSON MA 04 Mar 09  
 APVD BOB ZHAO 04 Mar 09

PRODUCT SPEC: 108-112000  
 APPLICATION SPEC: -

MATERIAL: SEE TABLE  
 FINISH: SEE TABLE

WEIGHT: -

**STE** TE Connectivity

BNC STRAIGHT INSULATED PCB SOCKET  
 50 OHM WHITE

SIZE: A3 CAGE CODE: 00779 DRAWING NO: C-1337541 RESTRICTED TO: -

CUSTOMER DRAWING SCALE: NTS SHEET: 1 OF 1 REV: F

# Mouser Electronics

Authorized Distributor

Click to View Pricing, Inventory, Delivery & Lifecycle Information:

[TE Connectivity:](#)

[1-1337541-0](#)