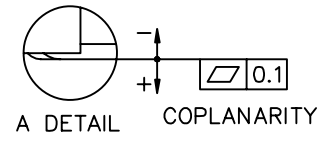
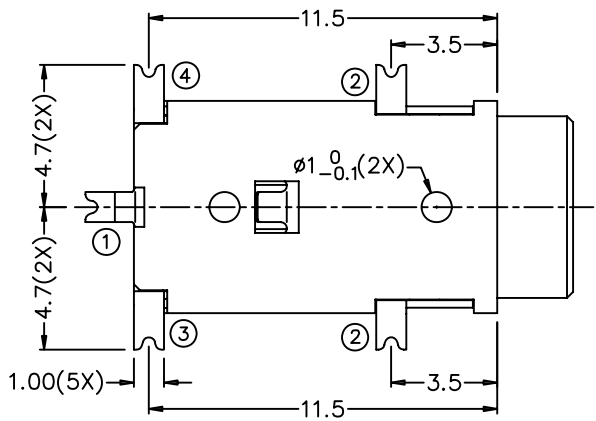
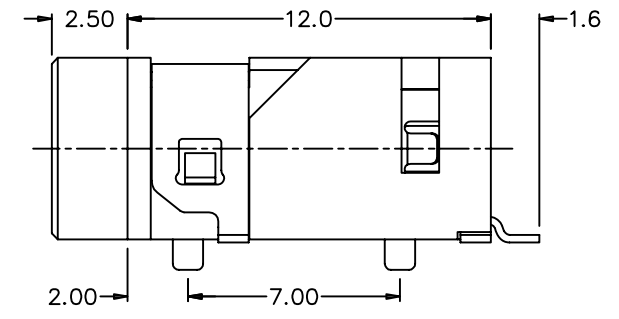
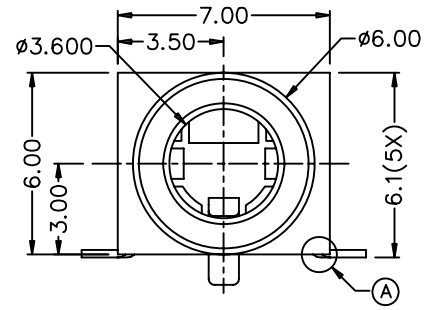
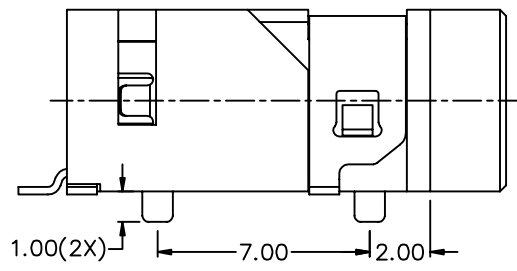
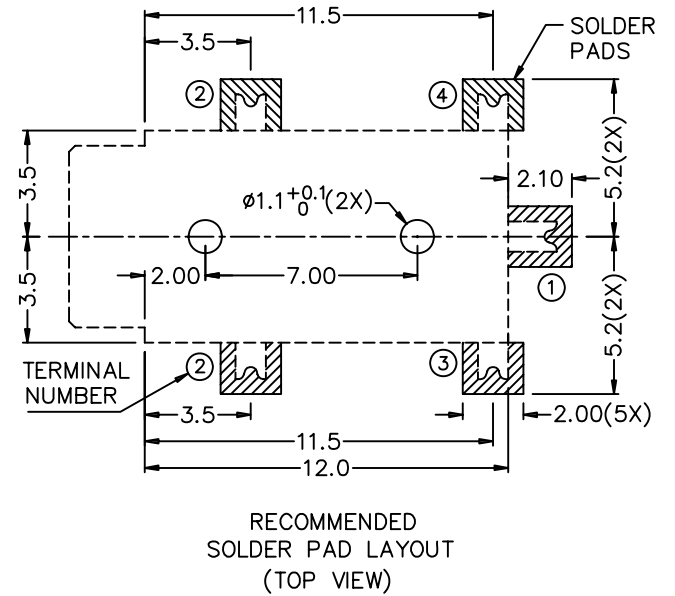


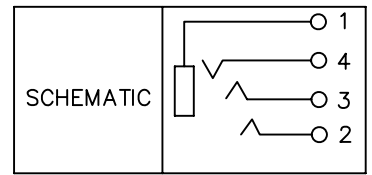
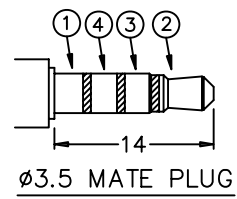
**RoHS
Compliant
Drawing For
Reference Only**



*** MATERIAL**
 TERMINAL 1 : COPPER ALLOY
 TERMINAL 2 : COPPER ALLOY
 TERMINAL 3 : COPPER ALLOY
 TERMINAL 4 : COPPER ALLOY
 HOUSING : PA6T



Technical requirement :
 1. This product should meet EU RoHS related requirement.
 2. The surface of plastic part should be without any crackle such as burr,lack,and so on phenomenon.
 3. The surface of metal part should be without any defect such as scaur,nick,oxidation and plating problem.
 4. The electronic performance should be the same as spec.
 5. The un-specified tolerance is : ± 0.1
 6~20± 0.2
 >20± 0.3



DCI DRAGON CITY INDUSTRIES LIMITED
 Item Name : 3.5mm SMD Stereo Jack
 Item No. : ST-511D-01-TR
 Tolerance : ± 0.1

Design	K.W Law	Remark	Scale
Drawing	W.K Yeung	Remark	Material
Check	K.L Wong	Remark	Drawing No. 91029-1517
Approval	K.W Chan	Remark	Sheet