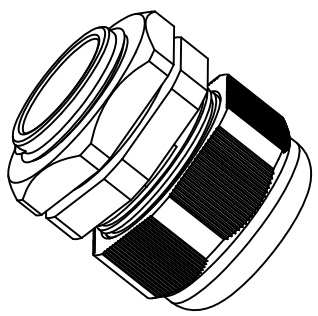
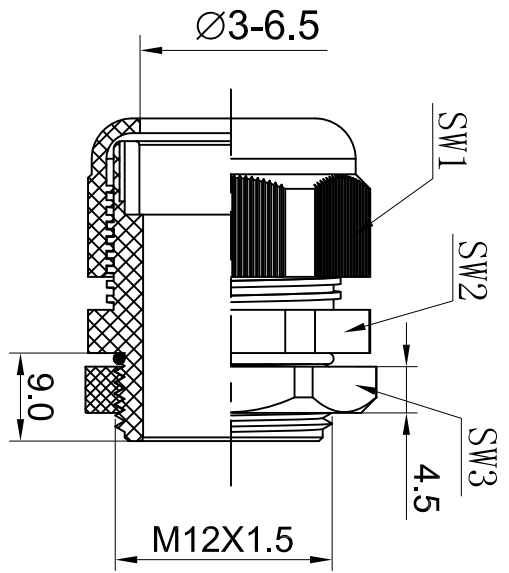
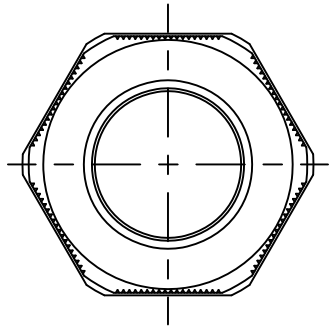


Plastics Cable gland

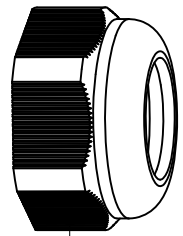


Metric	Claping range (Ø)	SW1	SW2	SW3
M12x1.5	3-6.5	15.5	15.5	18

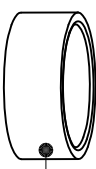


Plastics Cable gland
 Material: Nylon
 Seal Material: NBR
 Degree of protection: IP68
 Temperature range: -40~100°C
 Color: Black

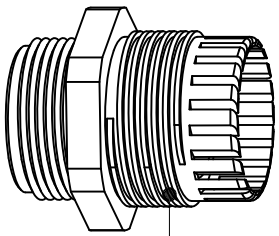
REVISION RECORD				
REV	ECN	DESCRIPTION	DRFT	DATE



Sealing nut



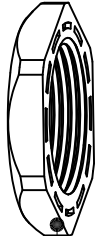
Seal



Body



O-Ring



Lock nut

DETACHED LISTS			
PART NO.:	/	NAME:	DEGSON 宁波高松电子有限公司 NINGBO DEGSON ELECTRICAL CO., LTD
APPD:		DDL-M12P-00AH	
CHKD:		TITLE: CUSTOMER DRAWING	
DRFT: Mr. Yang2016.08.18		DRAWING NO.:	REV DO-1
THIRD ANGLE PROJECTION		DO NOT SCALE DRAWING	SHEET 1/1
		SCALE	