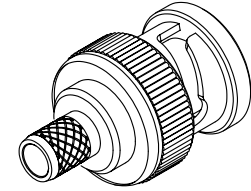
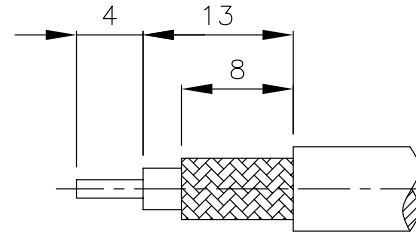
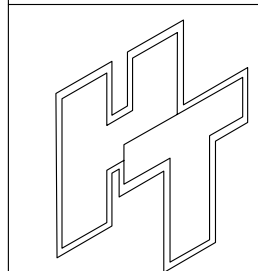
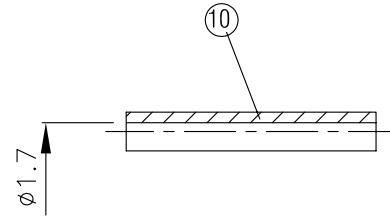
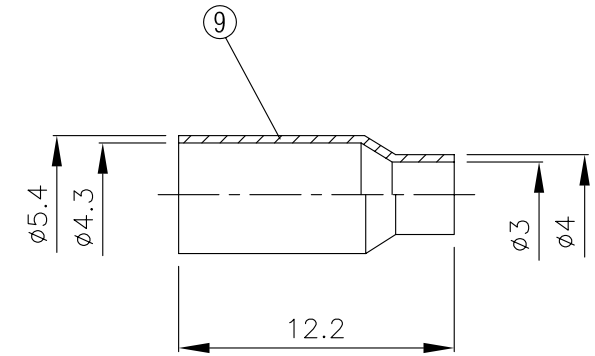
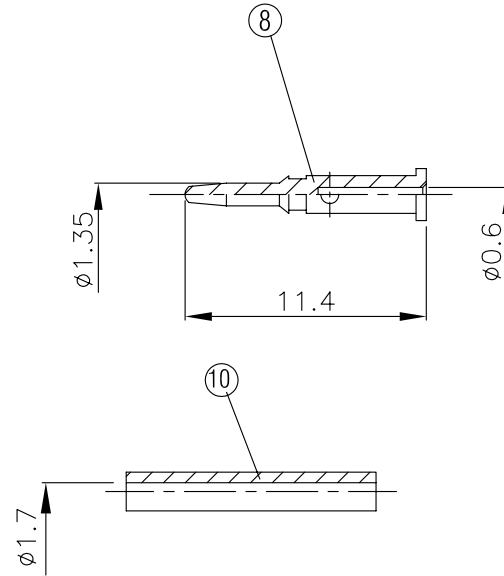
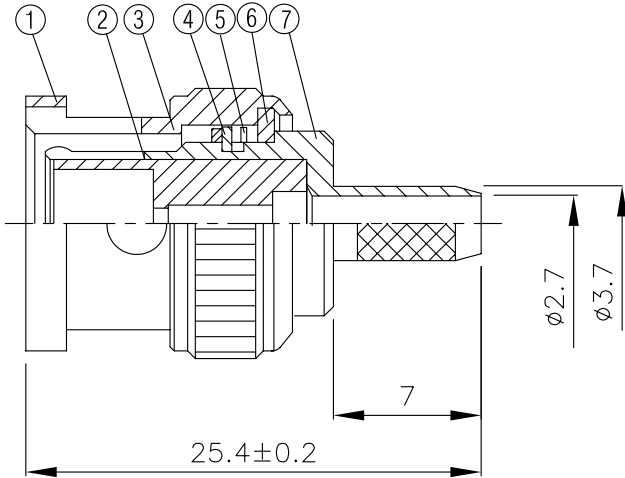


NO	DESCRIPTION	MATERIAL	Q'TY	FINISH
1	BODY 1	BRASS	1	NICKEL
2	RUBBER	SI RUBBER	1	RUBBER
3	WASHER 1	BRASS	1	NICKEL
4	WASHER 2	BRASS	1	NICKEL
5	WASHER 3	BRASS	1	NICKEL
6	INSULATION	TEFLON	1	TEFLON
7	BODY 2	BRASS	1	NICKEL
8	PIN	BRASS	1	GOLD
9	RING	BRASS	NICKEL	
10	INSULATION	DELRIN	1	DELRIN



(Recommended Stripping Dimension)



HUS-TSAN GROUP CO., LTD.

P.O.BOX 40-76.TAINAN.TAIWAN,R.O.C.

TITLE BNC MALE CRIMP FOR RG-174/U

PART NO. BNC-05L-TGN

DRAWING NO. BNC 05L TGN

DRAWN MARY DATE 96.07.31

CHECKED 蘇志欣 DATE

Q.A. 蘇姿潔 DATE

APPROVAL 徐燦霖 DATE

REVISION DATE

DIMENSIONS ARE IN MILLIMETERS

UNLESS OTHERWISE SPECIFIED TOLERANCE

0.5-5=±0.2 120-315=±1

5-30= ±0.4 315-1000=±1.6

30-120±0.6 1000-2000=±2.4

SCALE 4:1 SIZE A

REVISION

DESCRIPTION	ENGINEER

D

D

C

C

B

B

A

A

4

3

2

1