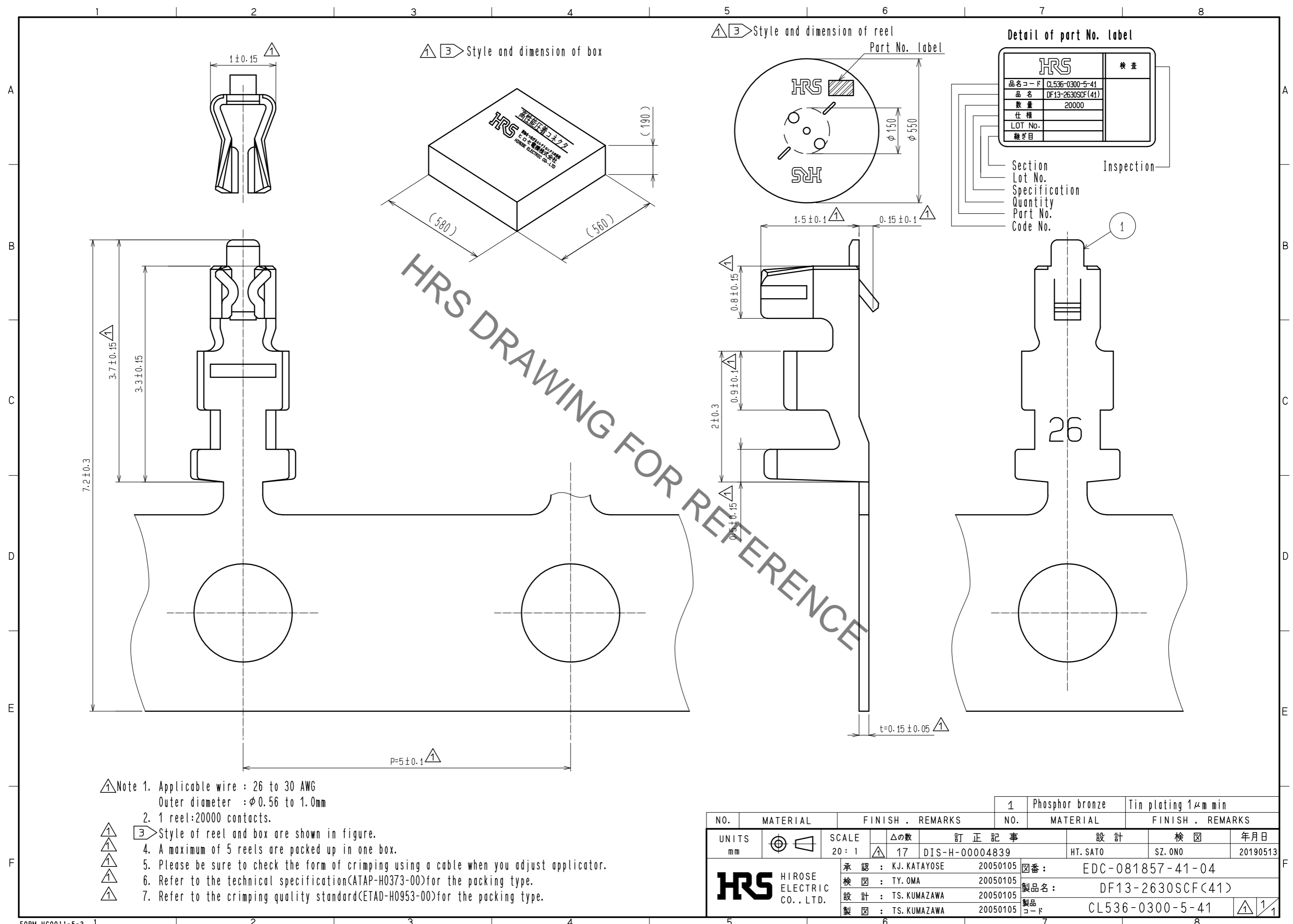


May.1.2020 Copyright 2020 HIROSE ELECTRIC CO., LTD. All Rights Reserved.
In case of consideration for using Automotive equipment / device which demand high reliability, kindly contact our sales window correspondents.



Detail of part No. label

HRS		検査
品名コード	CL536-0300-5-41	
品名	DF13-2630SCF(41)	
数量	20000	
仕様		
LOT No.		
継ぎ目		

Section
Lot No.
Specification
Quantity
Part No.
Code No.

Inspection

- △ Note 1. Applicable wire : 26 to 30 AWG
Outer diameter : φ0.56 to 1.0mm
2. 1 reel:20000 contacts.
- △ 3. Style of reel and box are shown in figure.
- △ 4. A maximum of 5 reels are packed up in one box.
- △ 5. Please be sure to check the form of crimping using a cable when you adjust applicator.
- △ 6. Refer to the technical specification(ATAP-H0373-00)for the packing type.
- △ 7. Refer to the crimping quality standard(ETAD-H0953-00)for the packing type.

NO.	MATERIAL	FINISH . REMARKS	1	Phosphor bronze	Tin plating 1μm min
UNITS mm		SCALE 20 : 1	△の数 17	訂正記事 DIS-H-00004839	設計 HT. SATO
HIROSE ELECTRIC CO., LTD.			承認 : KJ. KATAYOSE	20050105	図番 : EDC-081857-41-04
			検 図 : TY. OMA	20050105	製品名 : DF13-2630SCF(41)
			設計 : TS. KUMAZAWA	20050105	製品コード : CL536-0300-5-41
			製 図 : TS. KUMAZAWA	20050105	