

Number of contacts

6-64

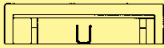


Female connector

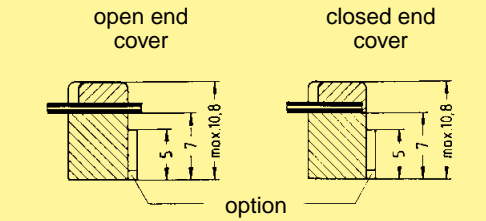
Identification No. of contacts Part No. Drawing Dimensions in mm

Female connector with central polarization

without strain relief clamp



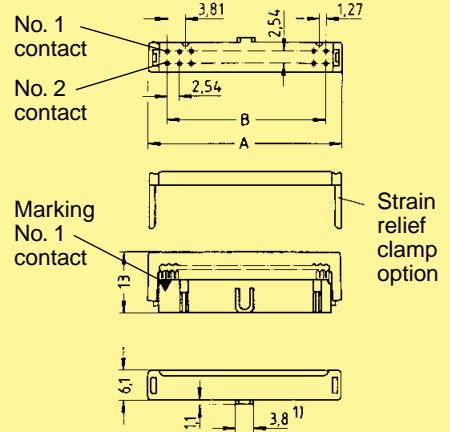
	No. of contacts	open end cover	closed end cover
6	09 18 506	□ 803	09 18 506 □ 804
10	09 18 510	□ 803	09 18 510 □ 804
14	09 18 514	□ 803	09 18 514 □ 804
16	09 18 516	□ 803	09 18 516 □ 804
20	09 18 520	□ 803	09 18 520 □ 804
24	09 18 524	□ 803	
26	09 18 526	□ 803	09 18 526 □ 804
30	09 18 530	□ 803	09 18 530 □ 804
34	09 18 534	□ 803	09 18 534 □ 804
40	09 18 540	□ 803	09 18 540 □ 804
50	09 18 550	□ 803	09 18 550 □ 804
60	09 18 560	□ 803	09 18 560 □ 804
64	09 18 564	□ 803	09 18 564 □ 804



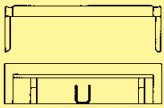
without strain relief clamp with bulk packaging

²⁾ Packaging unit (PU) 5,000 pieces
³⁾ PU 3,000 pieces

6	09 18 506	□ 803 58U ²⁾	
10	09 18 510	□ 803 58U ²⁾	
14	09 18 514	□ 803 58U ²⁾	
16	09 18 516	□ 803 58U ²⁾	
20	09 18 520	□ 803 58U ²⁾	
26	09 18 526	□ 803 58U ²⁾	
30	09 18 530	□ 803 58U ²⁾	
34	09 18 534	□ 803 58U ³⁾	
40	09 18 540	□ 803 58U ³⁾	



with strain relief clamp



6	09 18 506	□ 813	09 18 506 □ 814*
10	09 18 510	□ 813	09 18 510 □ 814*
14	09 18 514	□ 813	09 18 514 □ 814*
16	09 18 516	□ 813	09 18 516 □ 814*
20	09 18 520	□ 813	09 18 520 □ 814*
24	09 18 524	□ 813	
26	09 18 526	□ 813	09 18 526 □ 814*
30	09 18 530	□ 813	09 18 530 □ 814*
34	09 18 534	□ 813	09 18 534 □ 814*
40	09 18 540	□ 813	09 18 540 □ 814*
50	09 18 550	□ 813	09 18 550 □ 814*
60	09 18 560	□ 813	09 18 560 □ 814*
64	09 18 564	□ 813	09 18 564 □ 814*

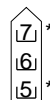
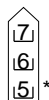
No. of contacts	6	10	14	16	20
A	12.20	17.30	22.40	24.90	30.00
B	5.08	10.16	15.24	17.78	22.86
No. of contacts	24	26	30	34	40
A	35.18	37.60	42.70	47.80	55.40
B	27.94	30.48	35.56	40.64	48.26
No. of contacts	50	60	64		
A	68.10	80.80	85.90		
B	60.96	73.66	78.74		

with strain relief clamp with bulk packaging

³⁾ Packaging unit (PU) 3,000 pieces
⁴⁾ PU 2,500 pieces
⁵⁾ PU 2,000 pieces
⁶⁾ PU 1,500 pieces
⁷⁾ PU 1,000 pieces

6	09 18 506	□ 813 58U ³⁾	
10	09 18 510	□ 813 58U ³⁾	
14	09 18 514	□ 813 58U ⁴⁾	
16	09 18 516	□ 813 58U ⁴⁾	
20	09 18 520	□ 813 58U ⁵⁾	
26	09 18 526	□ 813 58U ⁶⁾	
30	09 18 530	□ 813 58U ⁵⁾	
34	09 18 534	□ 813 58U ⁷⁾	
40	09 18 540	□ 813 58U ⁷⁾	

For performance level 3 please specify digit *
For performance level 2 please specify digit *
S4 = 0.76 μm (30 μinch) Au or PdNi equivalent



¹⁾ Pitch tolerance: ± 0.1
* Not normally kept in stock