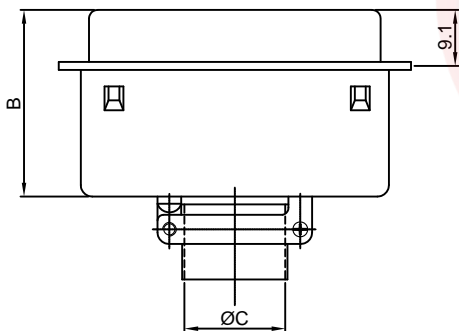
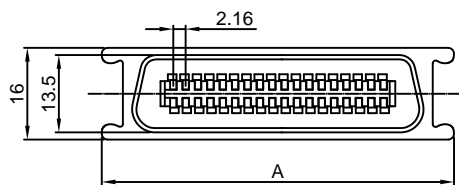


Dept	
Qty	
DC	1
ED	1
IE	1
ISO	1
PD	1
R&D	1
SD	1
QA	1
QC	1
QF	1

The information provided herein is from CONNELY Electronic Co., Ltd. and is confidential. Any disclosure to a party other than the recipient is prohibited. The intellectual properties and its rights contained herein, including but not limited to, trademarks, patents, copyrights, trade secrets, and technical know-how, are owned exclusively by CONNELY or its affiliates. Unauthorized use or reproduction of any part of this document is strictly prohibited. CONNELY may enforce its intellectual property rights at its own discretion, failures or delays in exercising such rights does not constitute a waiver of such rights.

Male

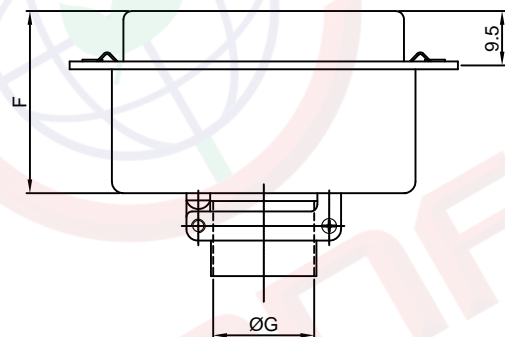
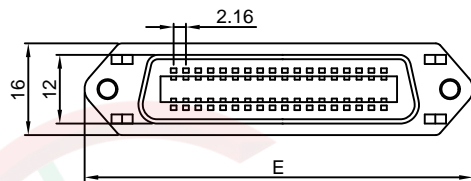


Shell Size	A	B	C
14pin	37.9	28.5	Ø7.0
24pin	49	29	Ø9.0
36pin	61.6	30.7	Ø11.5
50pin	77.1	34	Ø12.5



(Series Image-Reference Only)

Female



Shell Size	E	F	G
14pin	43.7	30.0	Ø7.0
24pin	54.8	30.0	Ø9.0
36pin	67.8	31.8	Ø11.5
50pin	82.9	33.0	Ø12.5

REV.	DESCRIPTION	DRAWN	CHECKED	APPROVED
A	NEW RELEASE	HP 17/06/05		LJC 17/06/05
D	DRAWING UPDATE	JLZ 09/07/20'		

NOTES:

1. MATERIALS

- . Insulator: Thermoplastic(UL 94V 0)
- . Contact: Copper alloy
- . Shell: Steel
- . Hood: Steel
- . Washer: Steel

2. Specification

- . Current Rating: 3A
- . Operating Voltage: 250V
- . Dielectric withstanding voltage: 500V For 1 minute
- . Insulator Resistance: 1000MΩ min
- . Temperature Range: -40°C ~ +105°C

3. Product number code:

DS1078 - X X X X

- Color of housing
L:Blue
B:Black
- Contact plated
0: Selective gold flash
- Connector type
M: Male
F: Female
- No. of contacts
24: 24pin
36: 36pin
50: 50pin

GENERAL TOLERANCE		ANGLE TOLERANCE		PROJECTION		TITLE
X.	±0.60	X.	±5°	UNITS	mm	CENTRONIC CONNECTORS SOLDER
.X	±0.38	.X	±3°	SHEET SIZE	A4	SERIES DS1078 SERIES
.XX	±0.25	.XX	±2°			
DRAWING TYPE		CUSTOMER		晨翔电子有限公司 CONNFLY ELECTRONIC CO. LTD		
SCALE	1:1	SHEET	1 OF 1			
DRAWING NO.	C-DS1078-XXXX-D					