

# Customer Information Sheet

DRAWING No.: H3155-XX

SHEET 2 OF 2

IF IN DOUBT - ASK

(C)

NOT TO SCALE

THIRD ANGLE PROJECTION

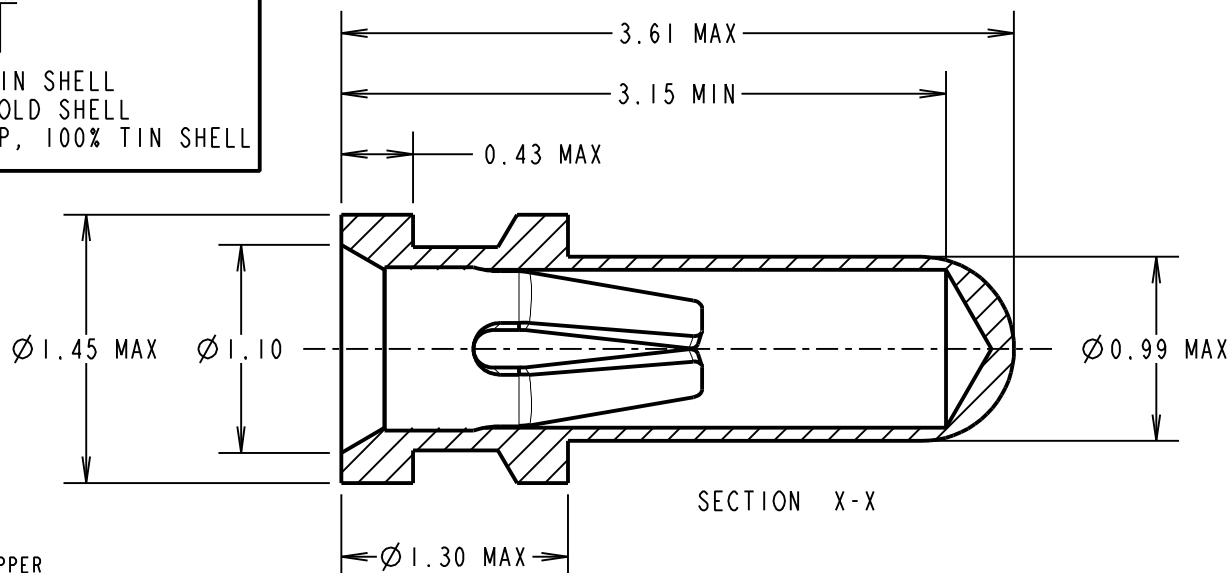
ALL DIMENSIONS IN mm

ORDER CODE:

**H3155-XX**

FINISH:

- 01 - GOLD CLIP, TIN SHELL
- 05 - GOLD CLIP, GOLD SHELL
- 46 - 100% TIN CLIP, 100% TIN SHELL



**SPECIFICATION:**

**MATERIAL:**  
 CONTACT SHELL = BRASS  
 CONTACT CLIP = BERYLLIUM COPPER

**FINISH:**  
 01 = 0.1μ GOLD CLIP, 4μ TIN SHELL  
 05 = 0.1μ GOLD CLIP, 0.13μ GOLD SHELL  
 46 = 2.4μ 100% TIN CLIP, 4μ 100% TIN SHELL

**ELECTRICAL:**  
 CURRENT RATING AT 25°C = 2A MAX  
 CURRENT RATING AT 85°C = 1.75A MAX  
 CONTACT RESISTANCE (INITIAL) = 15mΩ MAX  
 CONTACT RESISTANCE (AFTER CONDITIONING) = 25mΩ MAX

**MECHANICAL:**  
 INSERTION FORCE (∅0.05mm GAUGE) = 6N MAX, 2N MIN (∅0.05mm GAUGE)  
 WITHDRAWAL FORCE (∅0.05mm GAUGE) = 1.5N MIN, 0.5N MIN (∅0.05 GAUGE)  
 DURABILITY - 01, 05 FINISH = 500 OPERATIONS  
 46 FINISH = 50 OPERATIONS

**ENVIRONMENTAL:**  
 OPERATING TEMPERATURE = -55°C TO +125°C  
 FOR COMPLETE SPECIFICATION, SEE COMPONENT SPECIFICATION C006XX (LATEST ISSUE)

**NOTES:**

1. RECOMMENDED PIN LENGTH = 3.15mm MAX.
2. RECOMMENDED MOUNTING HOLE SIZE = ∅1.00-1.10mm.
3. RECOMMENDED PIN SIZE = ∅0.46-0.51mm.
4. CONTACT DEPTH = 2.30mm MAX

MSP	11	04.11.14	12661
NAME	ISS.	DATE	C/NOTE
APPROVED:		M.PERREN	
CHECKED:		M.PLESTED	
DRAWN:		M.PERREN	
CUSTOMER REF.:			
ASSEMBLY DRG:			

## HARWIN

www.harwin.com  
 technical@harwin.com

THIS DRAWING AND ANY INFORMATION OR DESCRIPTIVE MATTER SET OUT HEREON ARE CONFIDENTIAL AND COPYRIGHT PROPERTY OF THE HARWIN GROUP AND MUST NOT BE DISCLOSED, LOANED, COPIED OR USED FOR MANUFACTURING, TENDERING OR FOR ANY OTHER PURPOSE WITHOUT THEIR WRITTEN PERMISSION.

**TOLERANCES**  
 X. = ±1mm  
 X.X = ±0.25mm  
 X.XX = ±0.10mm  
 X.XXX = ±0.01mm  
 ANGLES = ±5°  
 UNLESS STATED

**MATERIAL:**

SEE ABOVE

**FINISH:**

SEE ABOVE

**S/AREA:**

mm<sup>2</sup>

**TITLE:**

SUB-MINATURE  
 SOCKET ASSEMBLY

**DRAWING NUMBER:**

**H3155-XX**

SHT  
 2 OF  
 2