



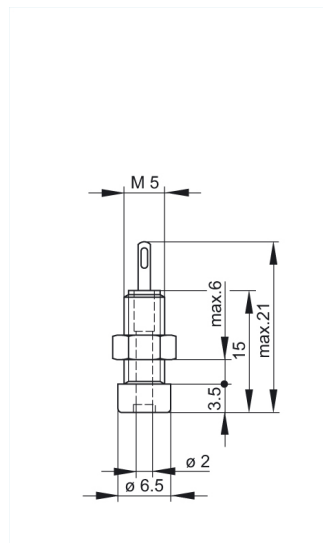
MBI 1 schwarz/black

Industrial Connectors:Measuring and Testing Equipment:Sockets:2 mm system

Product description

Description	2 mm diameter miniature socket, insulated, tin-plated copper beryllium contact (spring-loaded), with solder connection. Suitable for installation in equipment chassis and switch panels up to a maximum wall thickness of 5 mm.
Type	MBI 1 schwarz/black
Order No.	930 308-100
System	2 mm system
Housing Color	black
Other standard types	red color, order no. 930 308-101; blue color, order no. 930 308-102; yellow color, order no. 930 308-103; green color, order no. 930 308-104; grey color, order no. 930 308-106

Drawing



Technical data

Type of contact	socket (spring-loaded)
Type of termination	solder
Rated voltage	DC 60 V
Rated current	6 A
Contact resistance	6 mOhm
Mounting	screw

Material

Contact material	copper beryllium
------------------	------------------

Contact surface material	tin-plated
Housing material	PA
Environmental conditions	
Temperature range	-20 °C to +60 °C
Inflammability class	
Housing	94 HB