

SMB Str PCB Skt 50Ohm Gold Plt ✓ ACTIVE

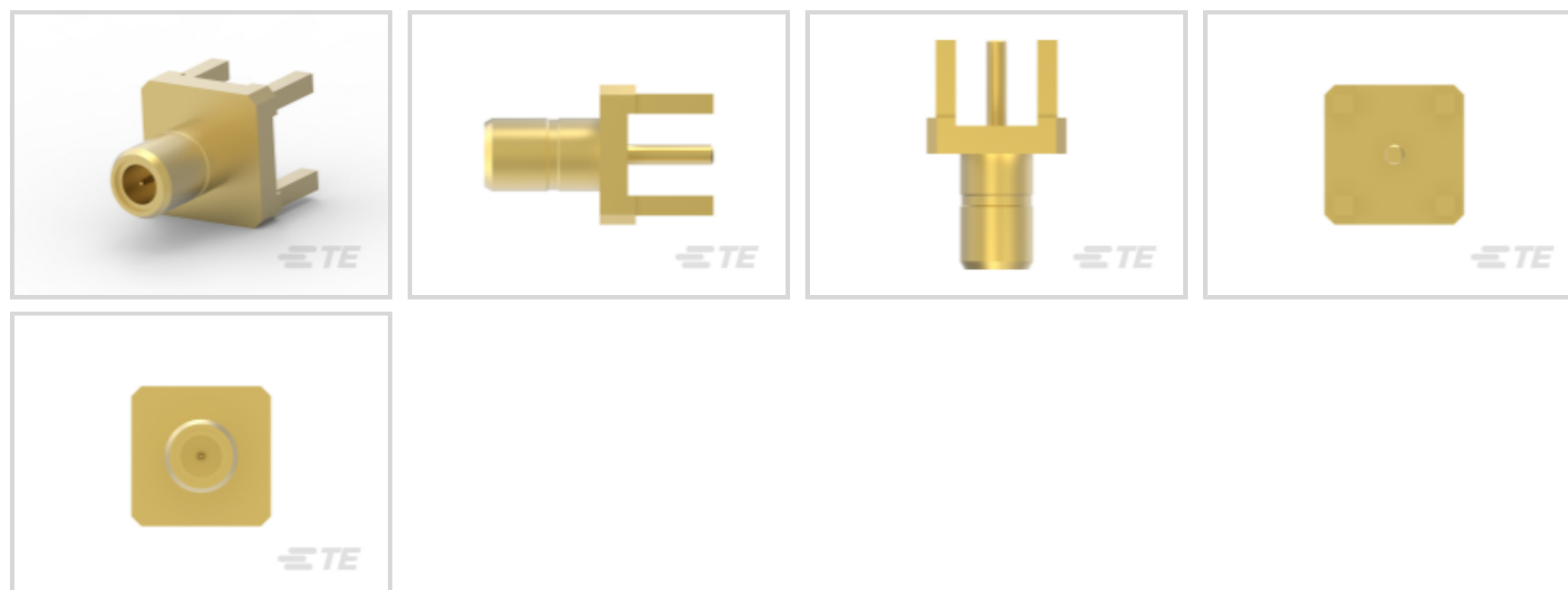
TE Part # 1-1337482-0

TE Internal #: 1-1337482-0

[View on TE.com >](#)



Connectors > RF & Coax Connectors > RF Connectors



RF Interface: **SMB**

RF Connector Style: **Jack**

RF Connector Mated Outer Diameter (Approximate): **4.75 mm [.187 in]**

Impedance: **50 Ω**

RF Connector Coupling Mechanism: **Snap-On**

Features

Product Type Features

RF Interface	SMB
RF Connector Style	Jack
Connector System	Cable-to-Board
Sealable	No
Connector & Contact Terminates To	Printed Circuit Board

Configuration Features

Number of Signal Positions	1
Port Configuration	Single Port
Number of Positions	1
PCB Mount Orientation	Vertical
Number of Coaxial Contacts	1

Electrical Characteristics

Impedance	50 Ω
-----------	------

Body Features

Body Material	Brass
Body Plating Material	Gold

Contact Features

RF Connector Center Contact Plating Material	Gold
RF Connector Center Contact Material	Brass

Termination Features

Termination Method to Printed Circuit Board	Through Hole - Solder
---	-----------------------

Mechanical Attachment

RF Connector Coupling Mechanism	Snap-On
Connector Mounting Type	Board Mount
RF Contact Captivation Method	Mechanical
Detent	Without

Dimensions

PCB Thickness (Recommended)	3.2 mm[.126 in]
Product Length	11.4 mm[.449 in]
RF Connector Mated Outer Diameter (Approximate)	4.75 mm[.187 in]
Height Above PC Board	11.4 mm[.449 in]
PCB Tail Length	3.9 mm[.153 in]

Usage Conditions

Operating Temperature Range	-65 – 165 °C[-85 – 329 °F]
-----------------------------	----------------------------

Operation/Application

Operating Frequency	4 GHz
---------------------	-------

Packaging Features

Packaging Quantity	100
Packaging Method	Tray

Other

Dielectric Material	PTFE
---------------------	------

Product Compliance

For compliance documentation, visit the product page on [TE.com](https://www.te.com)>

EU RoHS Directive 2011/65/EU	Compliant with Exemptions
EU ELV Directive 2000/53/EC	Compliant with Exemptions
China RoHS 2 Directive MIIT Order No 32, 2016	Restricted Materials Above Threshold



EU REACH Regulation (EC) No. 1907/2006

Current ECHA Candidate List: JUL 2019 (201)
Candidate List Declared Against: JAN 2018 (181)

Halogen Content

Low Bromine/Chlorine - Br and Cl < 900 ppm per homogenous material. Also BFR /CFR/PVC Free

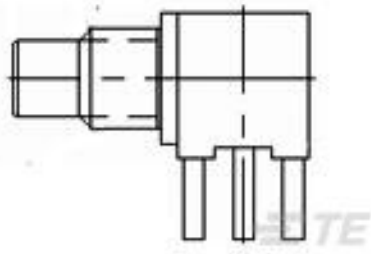
Solder Process Capability

Wave solder capable to 265°C

Product Compliance Disclaimer

This information is provided based on reasonable inquiry of our suppliers and represents our current actual knowledge based on the information they provided. This information is subject to change. The part numbers that TE has identified as EU RoHS compliant have a maximum concentration of 0.1% by weight in homogenous materials for lead, hexavalent chromium, mercury, PBB, PBDE, DBP, BBP, DEHP, DIBP, and 0.01% for cadmium, or qualify for an exemption to these limits as defined in the Annexes of Directive 2011/65/EU (RoHS2). Finished electrical and electronic equipment products will be CE marked as required by Directive 2011/65/EU. Components may not be CE marked. Additionally, the part numbers that TE has identified as EU ELV compliant have a maximum concentration of 0.1% by weight in homogenous materials for lead, hexavalent chromium, and mercury, and 0.01% for cadmium, or qualify for an exemption to these limits as defined in the Annexes of Directive 2000/53/EC (ELV). Regarding the REACH Regulations, TE's information on SVHC in articles for this part number is still based on the European Chemical Agency (ECHA) 'Guidance on requirements for substances in articles' (Version: 2, April 2011), applying the 0.1% weight on weight concentration threshold at the finished product level. TE is aware of the European Court of Justice ruling of September 10th, 2015 also known as O5A (Once An Article Always An Article) stating that, in case of 'complex object', the threshold for a SVHC must be applied to both the product as a whole and simultaneously to each of the articles forming part of its composition. TE has evaluated this ruling based on the new ECHA "Guidance on requirements for substances in articles" (June 2017, version 4.0) and will be updating its statements accordingly.

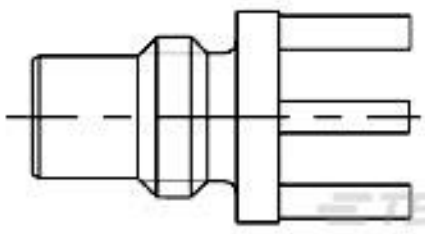
Compatible Parts



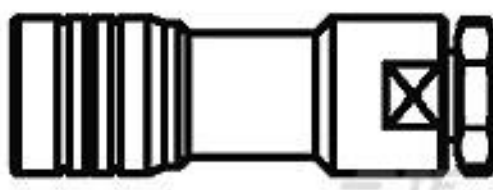
TE Part # 1060259-1
5064 5003 09



TE Part # 51751-1
SMC BLKHD JACK ASSY



TE Part # 1060256-1
5062 5003 09, SMC PCB JACK RECP



TE Part # 1-1337475-0
SMB Str Plg PS 50Ohm Gold Pltd RG174A/U,

Customers Also Bought



TE Part # 1-1337481-0
SMB R/A PCB Skt 50Ohm Gold Plt



TE Part # 5-826629-0
50P AMPMODU II PIN HDR.



TE Part # 2-1571552-2
808-AG11D-ESL-LF=800 DIP,GF/SN



TE Part # 1676153-2
RN 0805 10K 0.1% 10PPM 1KRL



Documents

Product Drawings

[SMB Str PCB Skt 50Ohm Gold Plt](#)

English

CAD Files

Customer View Model

[ENG_CVM_CVM_1-1337482-0_D.2d_dxf.zip](#)

English

[3D PDF](#)

3D

Customer View Model

[ENG_CVM_CVM_1-1337482-0_D.3d_igs.zip](#)

English

Customer View Model

[ENG_CVM_CVM_1-1337482-0_D.3d_stp.zip](#)

English

Datasheets & Catalog Pages

[1-1773725-8_RF_COAX_QRG](#)

English

Product Environmental Compliance

[TE Material Declaration](#)

English