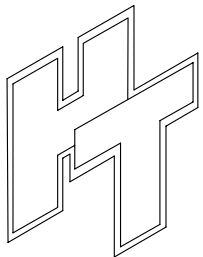
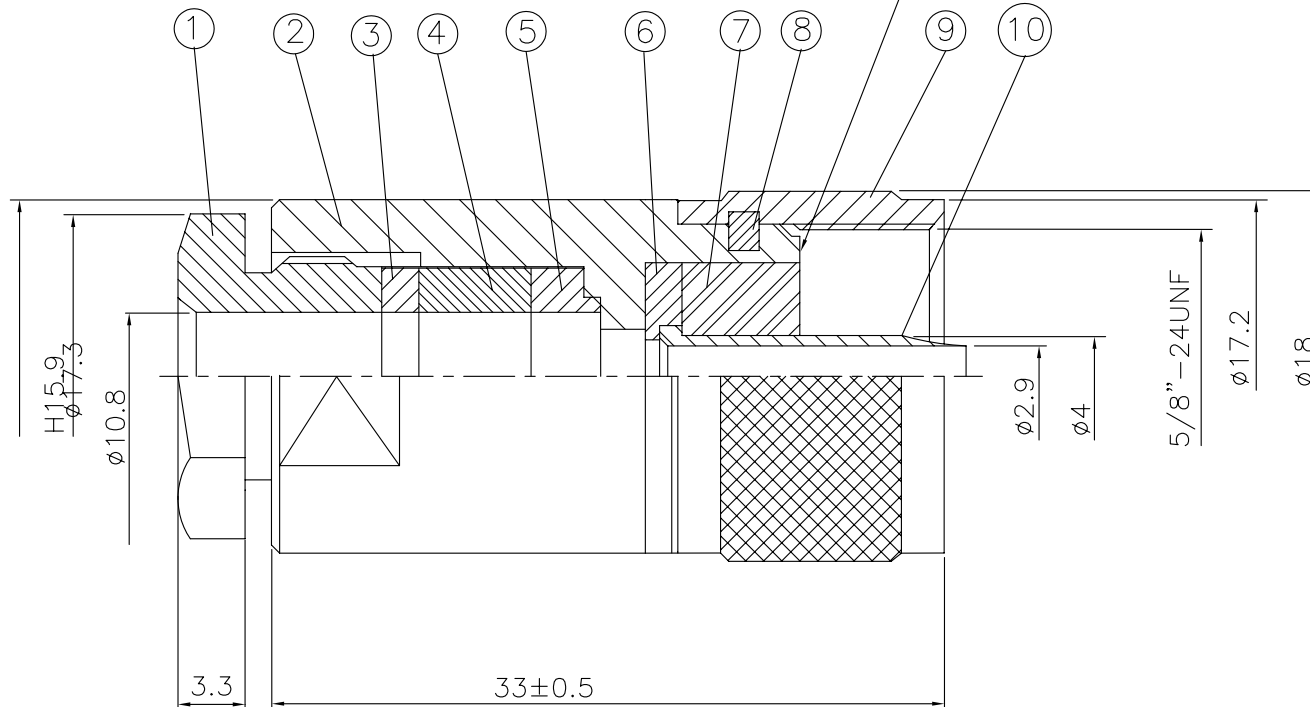
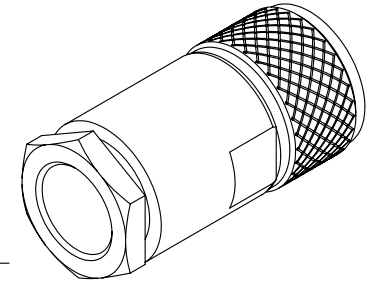


NO	DESCRIPTION	MATERIAL	Q'TY	FINISH
1	NUT	BRASS	1	NICKEL
2	BODY	BRASS	1	NICKEL
3	WASHER	BRASS	1	NICKEL
4	GASKET	SI RUBBER	1	RUBBER
5	SLEEVE	BRASS	1	NICKEL
6	INSULATION	DELRIN	1	DELRIN
7	INSULATION	DELRIN	1	DELRIN
8	WASHER	BRASS	1	NICKEL
9	SHELL	BRASS	1	NICKEL
10	PIN	BRASS	1	GOLD



HUS-TSAN GROUP CO., LTD.

P.O. BOX 40-76, TAINAN, TAIWAN, R.O.C.

TITLE UHF MALE CLAMP
FOR RG-213/U

PART NO. UHF-01B-DGN

DRAWING NO. UHF-01B-DGN

DRAWN MARY DATE 96.02.01

CHECKED 黃巧君 DATE

Q.A. 蘇姿潔 DATE

APPROVAL 徐燦霖 DATE

REVISION DATE

DIMENSIONS ARE IN MILLIMETERS

UNLESS OTHERWISE SPECIFIED
TOLERANCE

0.5-5=±0.2 120-315=±1

5-30=±0.4 315-1000=±1.6

30-120=±0.6 1000-2000=±2.4

SCALE 4:1 SIZE A

REVISION

DESCRIPTION ENGINEER

D

C

A

D

C

A

4

3

2

1