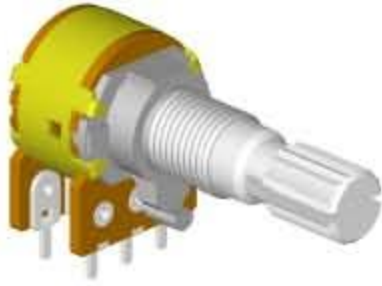


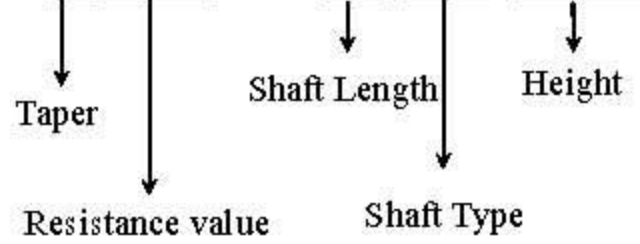
# 12mm Metal Shaft Rotary Potentiometers

**RK1233G1**

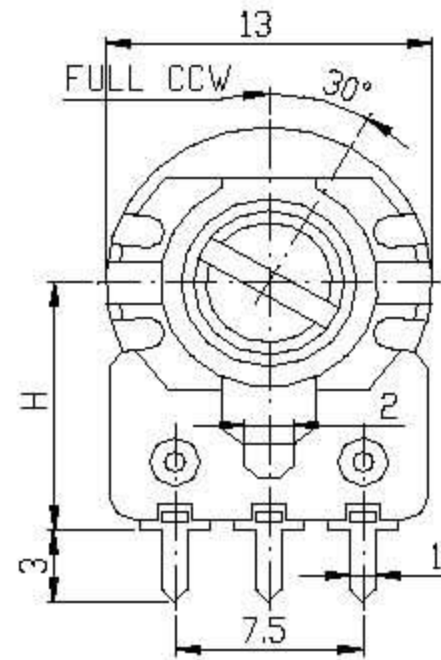
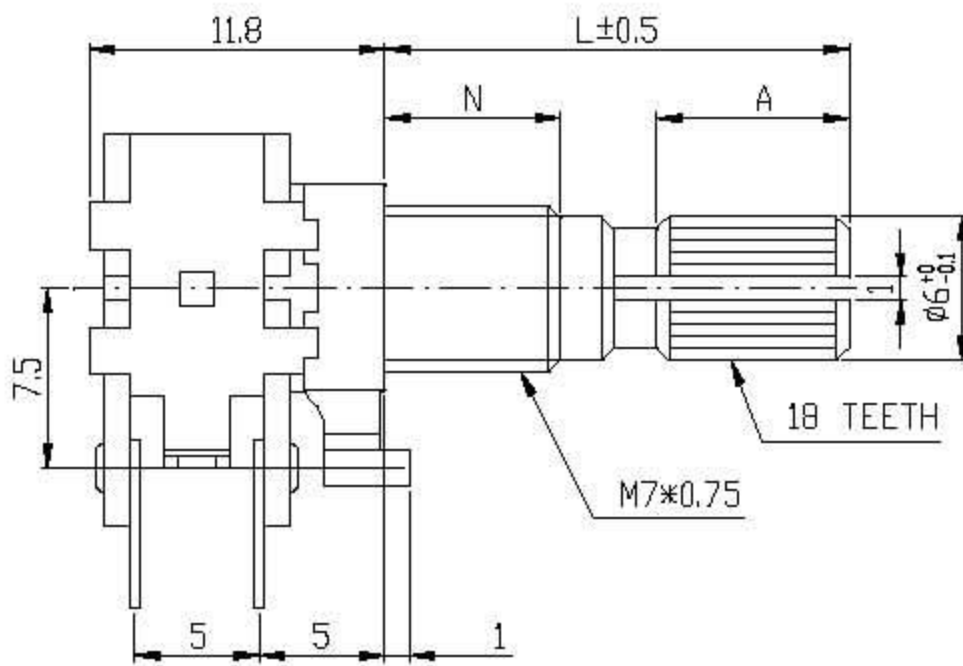


## Part Number

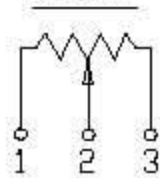
**RK1233G1 – B 50K , L- 20 KC/H=10**



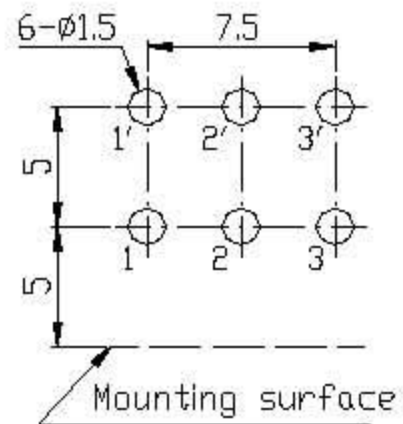
## Dimensions 規格尺寸



### CIRCUIT



### PCB LAYOUT



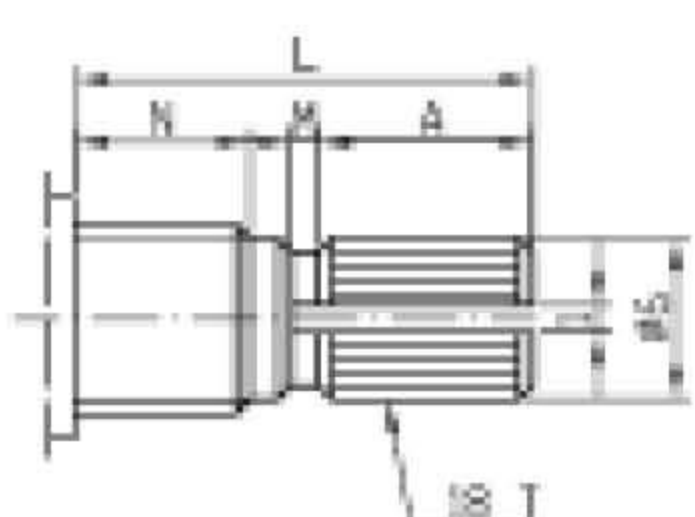
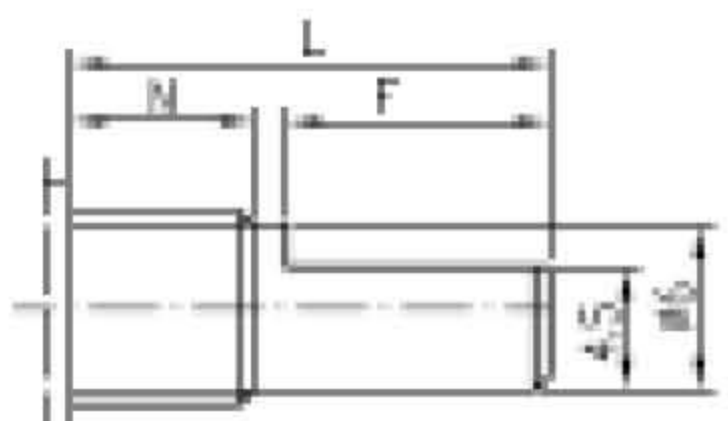
<b>H</b>	<b>10</b>	<b>12.5</b>
----------	-----------	-------------

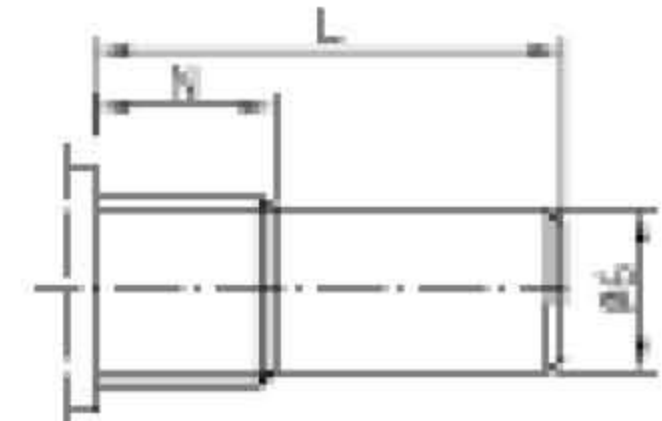
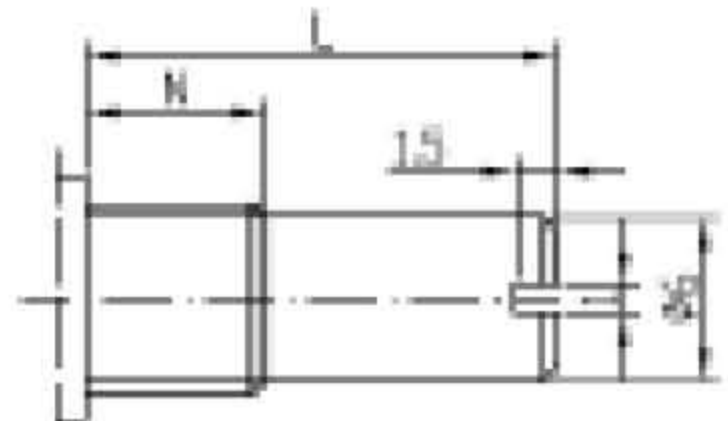
# 12mm Metal Shaft Rotary Potentiometers

## Shaft Type

N=5mm

N=7mm

KC Type					F Type			
								
L	15	20	25	30	L	15	20	25
A	6	10	12	12	F	7	12	12
M	1	2	2	4	-			

R Type					RE Type				
									
L	15	20	25	30	L	15	20	25	30

## 12mm Metal Shaft Rotary Potentiometers

### General

<b>Operating temperature</b>	<b>-10 °C ~ +70 °C</b>
<b>Manual soldering</b>	<b>300 °C Max 3sec</b>

### Electrical Characteristics

<b>Total resistance</b>	<b>1KΩ ~ 500KΩ</b>
<b>Resistance tolerance</b>	<b>±20%</b>
<b>Resistance taper</b>	<b>A B C D W</b>
<b>Sliding noise</b>	<b>Less than 47 mV</b>
<b>Residual resistance</b>	<b>R &gt; 10K : 20Ω R ≤ 10K : 10Ω</b>
<b>Insulation resistance</b>	<b>More than 100MΩ at DC 500V</b>
<b>Rated power(W)</b>	<b>Linear (B) taper : 0.1W    Other taper : 0.05W</b>
<b>Max. Operating voltage</b>	<b>30V AC / DC</b>
<b>Withstand voltage</b>	<b>1 Minute at AC 300 V</b>
<b>Gang error</b>	<b>0dB ~ -40dB ≤ 3dB</b>

### Mechanical Characteristics

<b>Total rotational angle</b>	<b>300° ± 10°</b>
<b>Rotational torque</b>	<b>20 ~ 200 gf.cm</b>
<b>Shaft push-pull strength</b>	<b>8Kgf. Max</b>
<b>Rotational stopper strength</b>	<b>3Kgf.cm Min</b>
<b>Rotational life</b>	<b>15,000 Cycles.</b>