



Connectors > PCB Connectors > Wire-to-Board Connectors > Wire-to-Board Connector Housings



Number of Positions: 12

Centerline (Pitch): 2.54 mm [.1 in]

Termination Method to Wire & Cable: Crimp

Number of Rows: 2

Row-to-Row Spacing: 2.54 mm [.1 in]

## Features

### Product Type Features

Connector & Contact Terminates To	Printed Circuit Board
Connector Style	Receptacle
Connector Type	Housing
Strain Relief	With
Glow Wire Rating	Standard Part - Not Glow Wire

### Configuration Features

Number of Positions	12
Number of Rows	2

### Electrical Characteristics

Operating Voltage	250 VAC
-------------------	---------

### Contact Features

Contact Type	Socket
--------------	--------

### Termination Features

Termination Method to Wire & Cable	Crimp
------------------------------------	-------

### Mechanical Attachment

Mating Retention Type	Lock
Mating Retention	With

### Housing Features

Housing Entry Configuration	Both Ends Closed
-----------------------------	------------------

Housing Material	Polyamide 6.6 GF
Centerline (Pitch)	2.54 mm[.1 in]
Housing Color	Green

### Dimensions

	.21 in
Row-to-Row Spacing	2.54 mm[.1 in]

### Usage Conditions

Operating Temperature Range	-65 – 105 °C
-----------------------------	--------------

### Operation/Application

For Use With	AMPMODU Mod II .025 inch Headers
--------------	----------------------------------

### Industry Standards

UL Flammability Rating	UL 94V-0
------------------------	----------

### Packaging Features

Packaging Quantity	25
--------------------	----

## Product Compliance

[For compliance documentation, visit the product page on TE.com>](#)

EU RoHS Directive 2011/65/EU	Compliant
EU ELV Directive 2000/53/EC	Compliant
China RoHS 2 Directive MIIT Order No 32, 2016	No Restricted Materials Above Threshold
EU REACH Regulation (EC) No. 1907/2006	Current ECHA Candidate List: JUL 2019 (201) Candidate List Declared Against: JAN 2019 (197) Does not contain REACH SVHC
EU REACH Regulation (EC) No. 1907/2006	Current ECHA Candidate List: JUL 2019 (201) Candidate List Declared Against: JAN 2019 (197)
Halogen Content	Not Low Halogen - contains Br or Cl > 900 ppm.
Solder Process Capability	Not applicable for solder process capability

#### Product Compliance Disclaimer

This information is provided based on reasonable inquiry of our suppliers and represents our current actual knowledge based on the information they provided. This information is subject to change. The part numbers that TE has identified as EU RoHS compliant have a maximum concentration of 0.1% by weight in homogenous materials for lead, hexavalent

chromium, mercury, PBB, PBDE, DBP, BBP, DEHP, DIBP, and 0.01% for cadmium, or qualify for an exemption to these limits as defined in the Annexes of Directive 2011/65/EU (RoHS2). Finished electrical and electronic equipment products will be CE marked as required by Directive 2011/65/EU. Components may not be CE marked. Additionally, the part numbers that TE has identified as EU ELV compliant have a maximum concentration of 0.1% by weight in homogenous materials for lead, hexavalent chromium, and mercury, and 0.01% for cadmium, or qualify for an exemption to these limits as defined in the Annexes of Directive 2000/53/EC (ELV). Regarding the REACH Regulations, TE's information on SVHC in articles for this part number is still based on the European Chemical Agency (ECHA) 'Guidance on requirements for substances in articles' (Version: 2, April 2011), applying the 0.1% weight on weight concentration threshold at the finished product level. TE is aware of the European Court of Justice ruling of September 10th, 2015 also known as O5A (Once An Article Always An Article) stating that, in case of 'complex object', the threshold for a SVHC must be applied to both the product as a whole and simultaneously to each of the articles forming part of its composition. TE has evaluated this ruling based on the new ECHA "Guidance on requirements for substances in articles" (June 2017, version 4.0) and will be updating its statements accordingly.

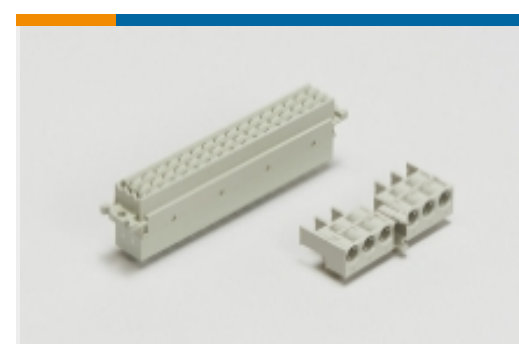
## Also in the Series | AMPMODU IV/V



Automotive, Truck, Bus, & Off-Road Headers(2)



Automotive, Truck, Bus, & Off-Road Housings(2)



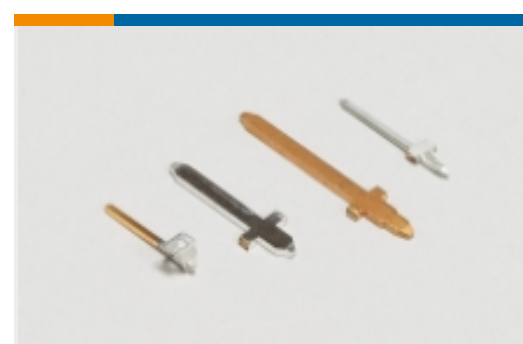
Backplane Connector Housings(1)



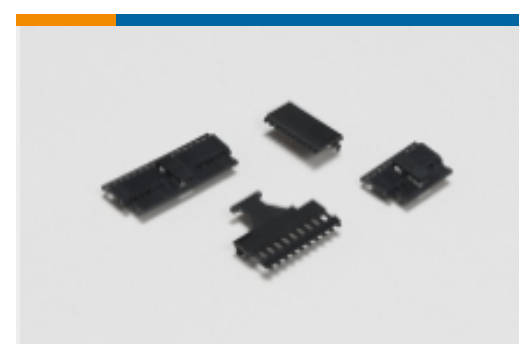
Board-to-Board Connector Contacts(6)



Board-to-Board Headers & Receptacles(789)



Multiple Configuration PCB Connector Contacts (26)



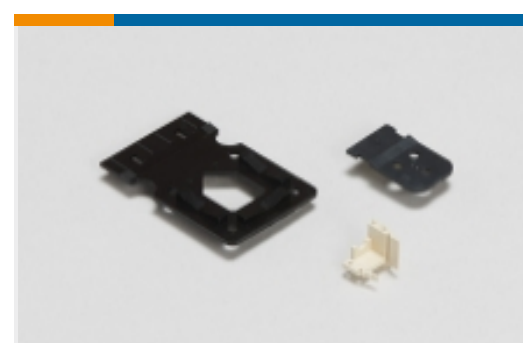
PCB Connector Covers(15)



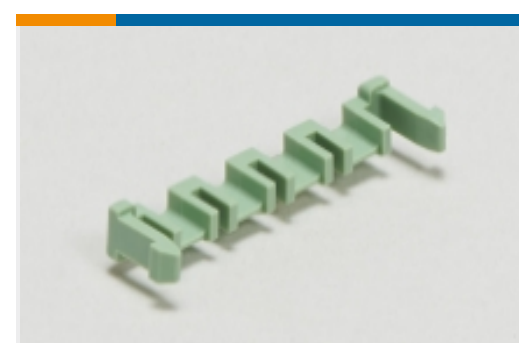
PCB Connector Keying(6)



PCB Connector Mounting (1)



PCB Connector Strain Relief(3)



PCB Latches, Locks & Retainers(10)



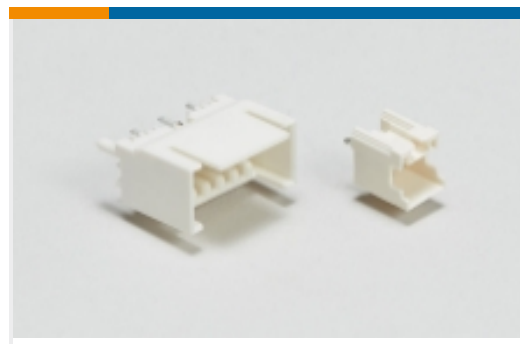
Rectangular Connector Housings(3)



Wire-to-Board Connector  
Contacts(294)



Wire-to-Board Connector  
Housings(467)

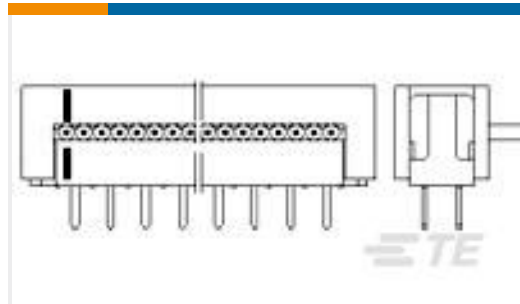


Wire-to-Board Headers &  
Receptacles(8)

## Customers Also Bought



TE Model / Part #3-829587-  
0  
2X30P MOD2 STIFTLI



TE Model / Part #1-216791-  
0  
AMP LATCH D/P ASSY



TE Model / Part #925370-3  
MOD IV REC HSG, 2X3P



TE Model / Part #925370-5  
MOD IV REC HSG 2X5P.



TE Model / Part #825457-4  
MOD 2 PINHDR 2X04P.



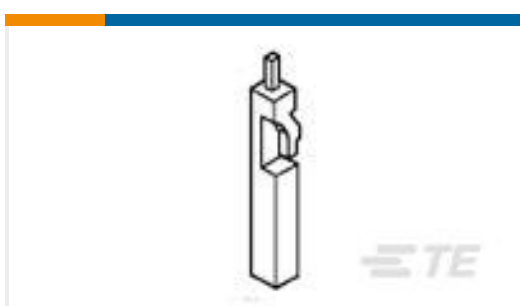
TE Model / Part #825440-4  
MOD 2 PINHDR 2X04P.



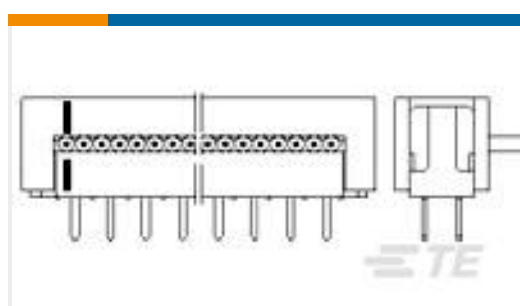
TE Model / Part #825440-6  
MOD 2 PINHDR 2X06P.



TE Model / Part #925370-4  
MOD IV REC HSG 2X4 POS



TE Model / Part #926519-2  
KEYING PLUG



TE Model / Part #3-216791-  
4  
AMP LATCH D/P ASSY

## Documents

### Product Drawings

[MOD.IV REC HSG, 2X6P](#)

English

### CAD Files

[Customer View Model](#)

[ENG\\_CVM\\_CVM\\_925370-6\\_Z.2d\\_dxf.zip](#)

English

[3D PDF](#)



3D

Customer View Model

[ENG\\_CVM\\_CVM\\_925370-6\\_Z.3d\\_igs.zip](#)

English

Customer View Model

[ENG\\_CVM\\_CVM\\_925370-6\\_Z.3d\\_stp.zip](#)

English

---

**Product Specifications**

[Application Specification](#)

English

---

**Agency Approvals**

[UL Report](#)

English