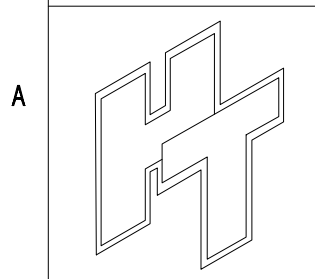
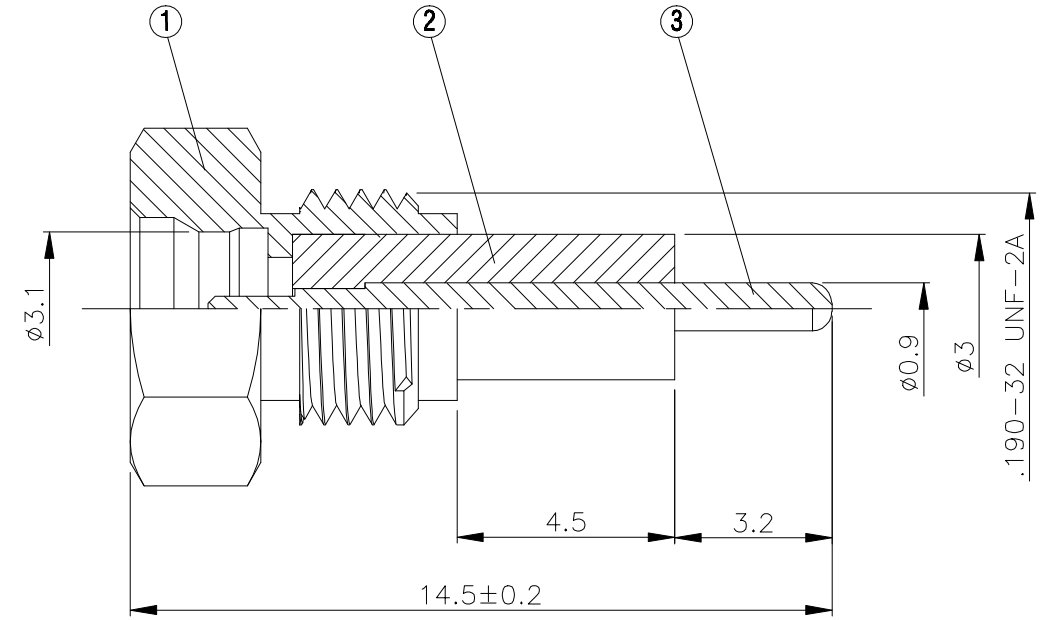
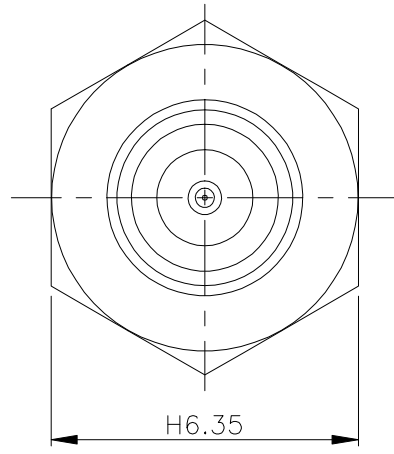
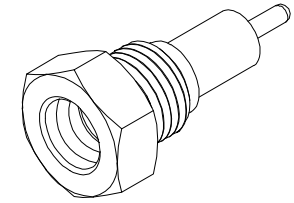


NO	DESCRIPTION	MATERIAL	Q'TY	FINISH	REMARK
1	BODY	BRASS	1	GOLD	B-SMP1417-G
2	INSULATION	TEFLON	1	TEFLON	I-0234T
3	PIN	PH.BRONZE	1	GOLD	P-SMP0990-G



HUS-TSAN GROUP CO., LTD.
P.O.BOX 40-76.TAINAN.TAIWAN,R.O.C.
TITLE SMP MALE THREAD-IN (LIMITED DETENT)
PART NO. SMP-23-TGG
DRAWING NO. SMP-23-TGG

DRAWN	蘇志欣	DATE	106.03.02
CHECKED	蘇姿潔	DATE	
Q.A.	莊千慧	DATE	
APPROVAL	徐燦霖	DATE	
REVISION		DATE	

DIMENSIONS ARE IN MILLIMETERS			
UNLESS OTHERWISE SPECIFIED TOLERANCE			
0.5-5=±0.2	120-315=±1		
5-30=±0.4	315-1000=±1.6		
30-120=±0.6	1000-2000=±2.4		
SCALE	4:1	SIZE	A

REVISION	
DESCRIPTION	ENGINEER

4 3 2 1