

# MINIATURE CERAMIC SMD CRYSTAL



ABM3

5.0 X 3.2 X 1.3mm

**ABM3**

Pb in Glass, exemption 7C-I per RoHS II Directive 2011/65/EU Annex | **RoHS/RoHS II Compliant.**

Smaller package alternative for ABM7 series

**Moisture Sensitivity Level (MSL) – This product is Hermetically Sealed and not Moisture Sensitive - MSL = N/A: Not Applicable**

## FEATURES:

- AT-cut fundamental or 3rd OT mode
- Suitable for RoHS reflow profile
- Tight Stability available  $\pm 10$
- Ceramic package hermetically glass sealed assures high precision and reliability.

## APPLICATIONS:

- Cellular telephones, pagers
- Communication and test equipment
- PCMCIA and wireless applications

## STANDARD SPECIFICATIONS:

Parameters	Minimum	Typical	Maximum	Units	Notes
Frequency Range	8.000		54.000	MHz	Fundamental
	54.100		80.000		3 <sup>rd</sup> Overtone
Operation Mode	Fundamental or 3 <sup>rd</sup> Overtone				
Operating Temperature	-10		+60	°C	See options
Storage Temperature	-40		+90	°C	
Frequency Tolerance @+25°C	-50		+50	ppm	See options
Frequency Stability over the Operating Temperature ( ref. to +25°C)	-50		+50	ppm	See options
Equivalent series resistance (R1)			140	$\Omega$	$8.000 \leq F < 9.000$ (Fund)
			120		$9.000 \leq F < 10.000$ (Fund)
			60		$10.000 \leq F < 16.000$ (Fund)
			40		$16.000 \leq F < 20.000$ (Fund)
			30		$20.000 \leq F < 30.000$ (Fund)
			25		$30.000 \leq F \leq 54.000$ (Fund)
			60		$54.000 < F \leq 80.000$ (3 <sup>rd</sup> OT)
Shunt capacitance (C0)			7	pF	
Load capacitance (CL)		18		pF	Standard (See options if other than STD)
Drive Level		10	100	$\mu$ W	
Aging	-5		+5	ppm	@25°C $\pm$ 3°C First year
Insulation Resistance	500			M $\Omega$	@ 100Vdc $\pm$ 15V

# MINIATURE CERAMIC SMD CRYSTAL



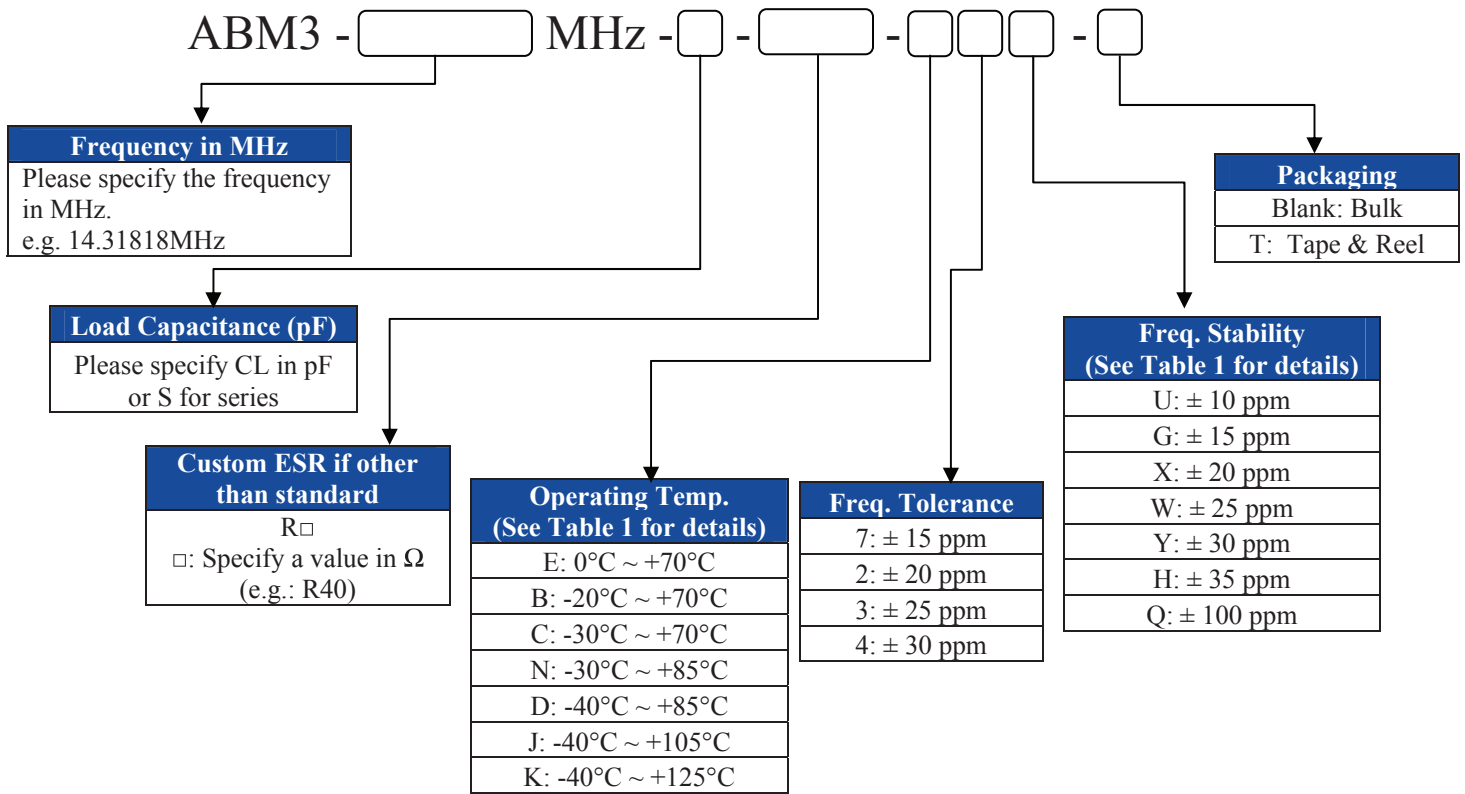
ABM3

5.0 X 3.2 X 1.3mm

ABM3

Pb in Glass, exemption 7C-I per RoHS II Directive | **RoHS/RoHS II Compliant.**  
2011/65/EU Annex

## OPTIONS AND PART IDENTIFICATION: (Left blank if standard)



**Table 1 Available Combinations of Operating Temp. and Freq. Stability**

Operating Temp.	Freq. Stability							
	U:±10ppm	G:±15ppm	X:±20ppm	W:±25ppm	Y:±30ppm	H:±35ppm	Std:±50ppm	Q:±100ppm
Std: -10°C ~ +60°C	√	√	√	√	√	√	√	√
E: 0°C ~ +70°C	√	√	√	√	√	√	√	√
B: -20°C ~ +70°C	√	√	√	√	√	√	√	√
C: -30°C ~ +70°C		√	√	√	√	√	√	√
N: -30°C ~ +85°C		√	√	√	√	√	√	√
D: -40°C ~ +85°C			√	√	√	√	√	√
J: -40°C ~ +105°C							√	√
K: -40°C ~ +125°C							√	√

# MINIATURE CERAMIC SMD CRYSTAL



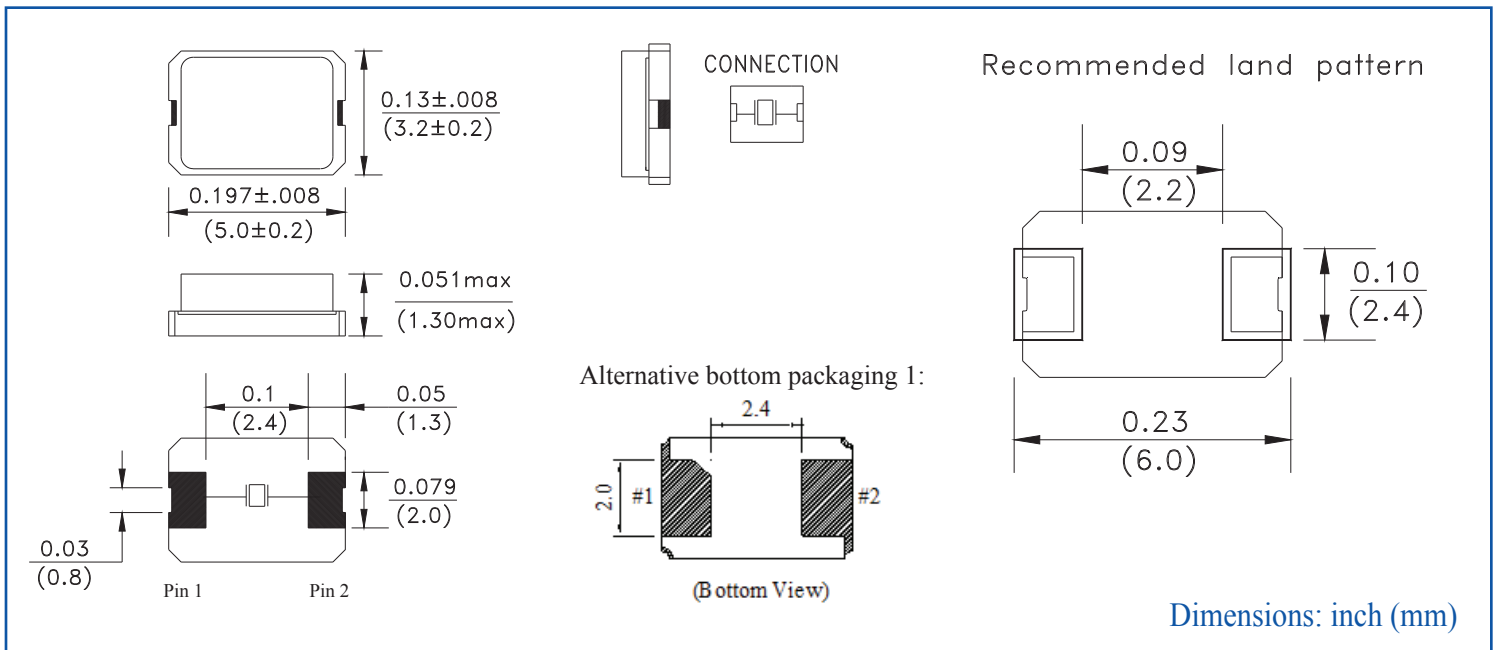
ABM3

5.0 X 3.2 X 1.3mm

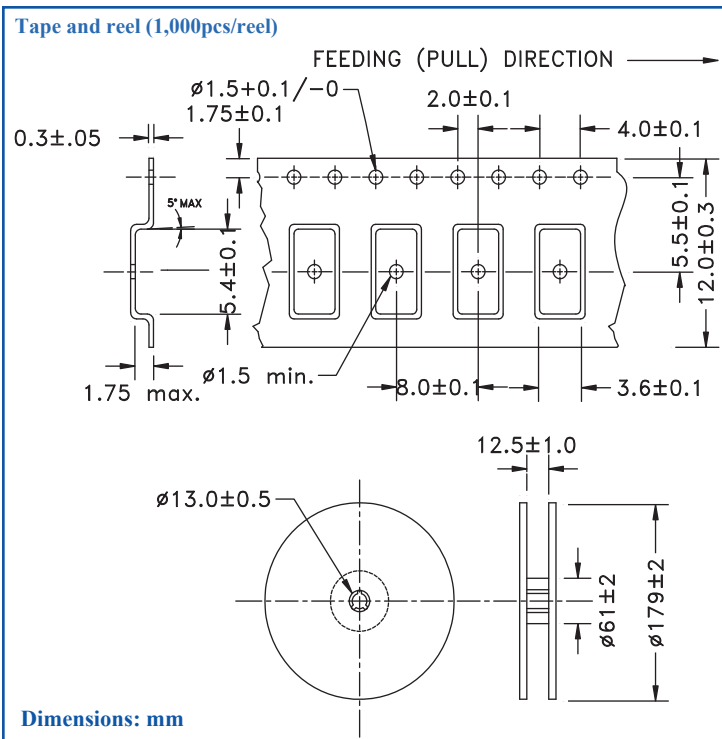
ABM3

Pb in Glass, exemption 7C-I per RoHS II Directive | **RoHS/RoHS II Compliant.**  
2011/65/EU Annex

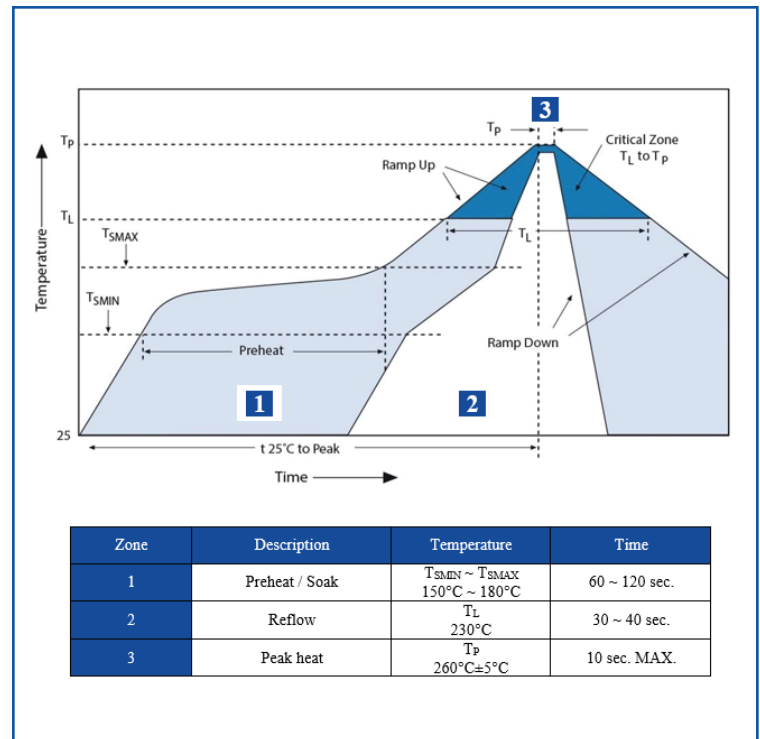
## OUTLINE DRAWING:



## TAPE & REEL:



## REFLOW PROFILE



Need a test socket for the ABM3 Series? To view compatible **PRECISION TEST & BURN-IN SOCKETS** for these parts, [click here](#). P/N: **AXS-5032-02-06**

**ATTENTION:** Abracon LLC's products are COTS – Commercial-Off-The-Shelf products; suitable for Commercial, Industrial and, where designated, Automotive Applications. Abracon's products are not specifically designed for Military, Aviation, Aerospace, Life-dependant Medical applications or any application requiring high reliability where component failure could result in loss of life and/or property. For applications requiring high reliability and/or presenting an extreme operating environment, written consent and authorization from Abracon LLC is required. Please contact Abracon LLC for more information.



1501 Hidden Creek Lane Spicewood TX 78751  
Phone: 949-546-8000 | Fax: 949-546-8001  
For terms and conditions of sales visit:  
[www.abracon.com](http://www.abracon.com)

REVISED: 07/19/2018

ABRACON IS  
ISO9001-2015  
CERTIFIED

# Mouser Electronics

Authorized Distributor

Click to View Pricing, Inventory, Delivery & Lifecycle Information:

## ABRACON:

[ABM3-24.000MHZ-B2-T](#) [ABM3-24.576MHZ-B2-T](#) [ABM3-27.000MHZ-B2-T](#) [ABM3-33.000MHZ-B2-T](#) [ABM3-30.000MHZ-B2-T](#) [ABM3-20.000MHZ-B2-T](#) [ABM3-40.000MHZ-B2-T](#) [ABM3-29.4912MHZ-B2-T](#) [ABM3-16.000MHZ-B2-T](#) [ABM3-25.000MHZ-B2-T](#) [ABM3-13.560MHZ-B2-T](#) [ABM3-28.6363MHZ-B2-T](#) [ABM3-18.432MHZ-B2-T](#) [ABM3-14.31818MHZ-B2-T](#) [ABM3-12.000MHZ-B2-T](#) [ABM3-48.000MHZ-B2-T](#) [ABM3-8.000MHZ-D2Y-T](#) [ABM3-10.0000MHZ-D2Y-T](#) [ABM3-11.0592MHZ-D2Y-T](#) [ABM3-11.2896MHZ-D2Y-T](#) [ABM3-12.000MHZ-D2Y-T](#) [ABM3-12.288MHZ-D2Y-T](#) [ABM3-14.31818MHZ-D2Y-T](#) [ABM3-14.7456MHZ-D2Y-T](#) [ABM3-16.000MHZ-D2Y-T](#) [ABM3-18.432MHZ-D2Y-T](#) [ABM3-19.6608MHZ-D2Y-T](#) [ABM3-20.000MHZ-D2Y-T](#) [ABM3-22.1184MHZ-D2Y-T](#) [ABM3-24.000MHZ-D2Y-T](#) [ABM3-24.576MHZ-D2Y-T](#) [ABM3-25.000MHZ-D2Y-T](#) [ABM3-27.000MHZ-D2Y-T](#) [ABM3-30.000MHZ-D2Y-T](#) [ABM3-32.000MHZ-D2Y-T](#) [ABM3-33.000MHZ-D2Y-T](#) [ABM3-40.000MHz-D2Y-F-T](#) [ABM3-48.000MHZ-D2Y-F-T](#) [ABM3-50.000MHZ-D2Y-F-T](#) [ABM3-9.8304MHZ-D2Y-T](#) [ABM3-48000MHZ-B4Y-T](#) [ABM3-36000MHZ-B4Y-T](#) [ABM3-110592MHZ-B4Y-T](#) [ABM3-196608MHZ-B4Y-T](#) [ABM3-13000MHZ-B4Y-T](#) [ABM3-30000MHZ-B4Y-T](#) [ABM3-12288MHZ-B4Y-T](#) [ABM3-13560MHZ-B4Y-T](#) [ABM3-16384MHZ-B4Y-T](#) [ABM3-32000MHZ-B4Y-T](#) [ABM3-24000MHZ-B4Y-T](#) [ABM3-18432MHZ-B4Y-T](#) [ABM3-26000MHZ-B4Y-T](#) [ABM3-25000MHZ-B4Y-T](#) [ABM3-8000MHZ-B4Y-T](#) [ABM3-15000MHZ-B4Y-T](#) [ABM3-20000MHZ-B4Y-T](#) [ABM3-12000MHZ-B4Y-T](#) [ABM3-33000MHZ-B4Y-T](#) [ABM3-27000MHZ-B4Y-T](#) [ABM3-98304MHZ-B4Y-T](#) [ABM3-147456MHZ-B4Y-T](#) [ABM3-294912MHZ-B4Y-T](#) [ABM3-40000MHZ-B4Y-T](#) [ABM3-16000MHZ-B4Y-T](#) [ABM3-221184MHZ-B4Y-T](#) [ABM3-24576MHZ-B4Y-T](#) [ABM3-10000MHZ-B4Y-T](#) [ABM3-1431818MHZ-B4Y-T](#) [ABM3-8192MHZ-B4Y-T](#) [ABM3-22.1184MHZ-B4Y-T](#) [ABM3-8.000MHZ-B4Y-T](#) [ABM3-16.384MHZ-B4Y-T](#) [ABM3-27.000MHZ-B4Y-T](#) [ABM3-10.000MHZ-B4Y-T](#) [ABM3-19.6608MHZ-B4Y-T](#) [ABM3-33.000MHZ-B4Y-T](#) [ABM3-24.000MHZ-B4Y-T](#) [ABM3-12.288MHZ-B4Y-T](#) [ABM3-29.4912MHZ-B4Y-T](#) [ABM3-20.000MHZ-B4Y-T](#) [ABM3-30.000MHZ-B4Y-T](#) [ABM3-26.000MHZ-B4Y-T](#) [ABM3-16.000MHZ-B4Y-T](#) [ABM3-13.000MHZ-B4Y-T](#) [ABM3-8.192MHZ-B4Y-T](#) [ABM3-32.000MHZ-B4Y-T](#) [ABM3-9.8304MHZ-B4Y-T](#) [ABM3-48.000MHZ-B4Y-T](#) [ABM3-11.0592MHZ-B4Y-T](#) [ABM3-15.000MHZ-B4Y-T](#) [ABM3-40.000MHZ-B4Y-T](#) [ABM3-24.576MHZ-B4Y-T](#) [ABM3-25.000MHZ-B4Y-T](#) [ABM3-12.000MHZ-B4Y-T](#) [ABM3-18.432MHZ-B4Y-T](#) [ABM3-14.31818MHZ-B4Y-T](#) [ABM3-13.560MHZ-B4Y-T](#) [ABM3-14.7456MHZ-B4Y-T](#) [ABM3-36.000MHZ-B4Y-T](#)