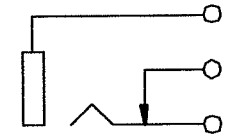
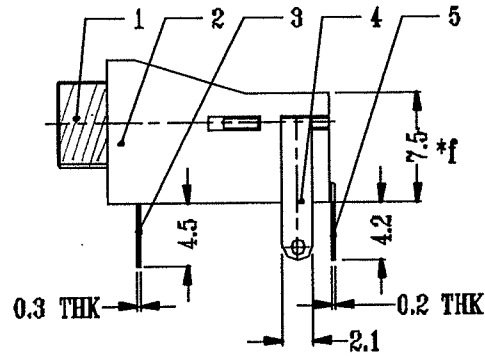
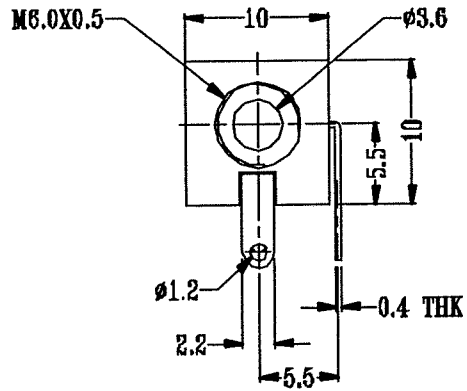
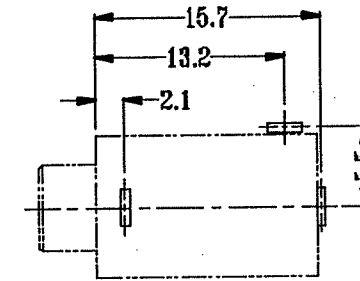
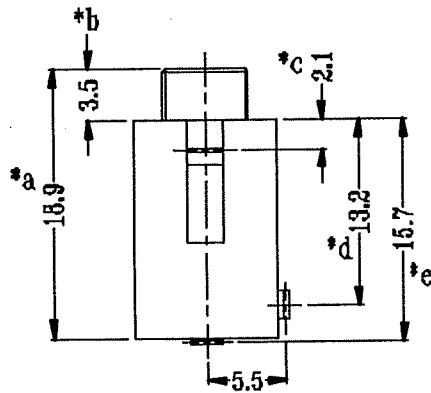


CAD FILE:



SCHEMATIC



P.C.B LAYOUT

注:*为未标注尺寸(特制)

8					TOLERANCE				
7					UNLESS SPECIFIED				
6					WITHIN: 1.5±0.1mm				
5	SPRING TERMINAL	PBS/STAINLESS STEEL	1	Ag PLATED OVER Ni PLATED	OVER : 1.5±0.2mm	ISSUE	DATE	DESCRIPTIONS	APPD.
4	TERMINAL	BRASS STRIP	1	Ag PLATED OVER Ni PLATED	TITLE : PHONE JACK		UNIT : MM	DRWG NO.: SF-DR-PY801C3.5-00	
3	CONTACT	BRASS STRIP	1	Ag PLATED OVER Ni PLATED	MODEL: PY-601-C		SCALE: 2:1	DWN.	
2	CASE	PC/ABS	1	BLACK	DRAGON CITY INDUSTRIES LIMITED			CHEK'D	
1	SOCKET	BRASS	1	Ni PLATED				APPD.	
NO.	PART NAME	MATERIAL	Q'TY	FINISHING					