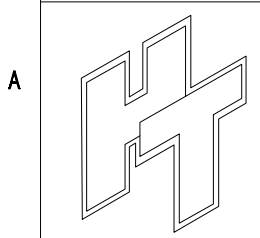
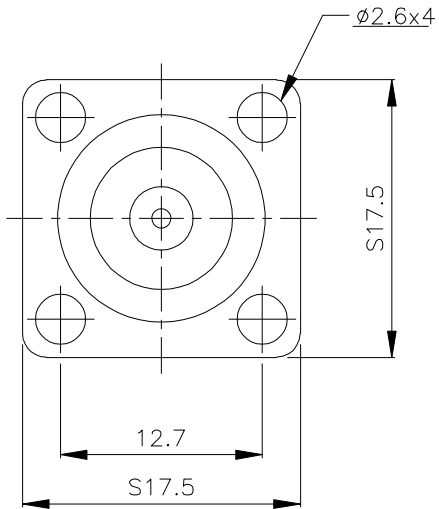
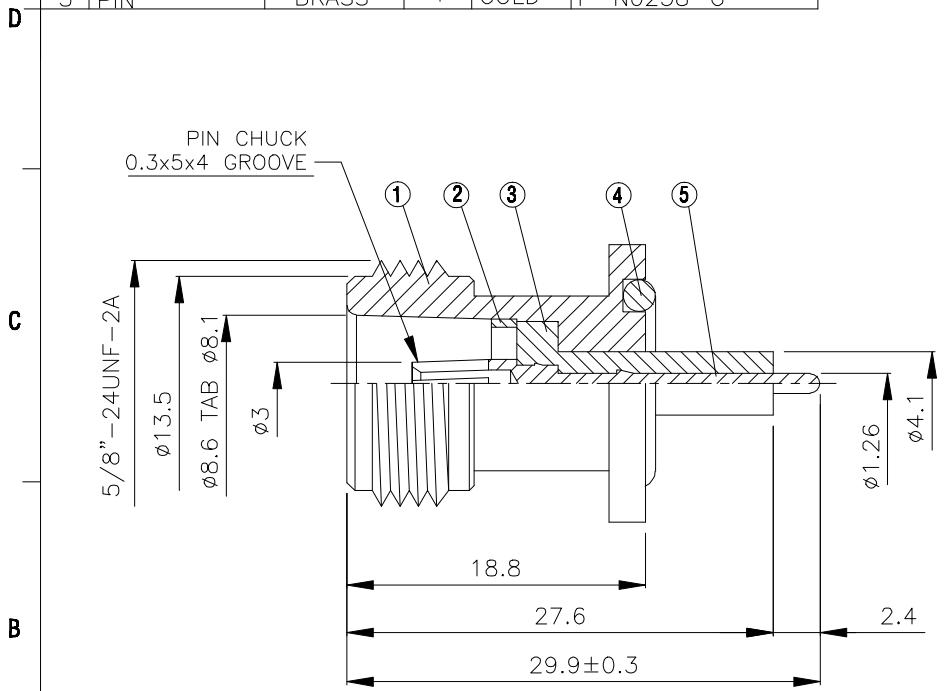
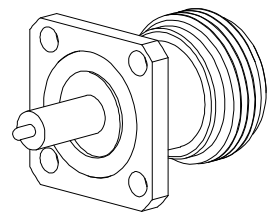


| NO | DESCRIPTION | MATERIAL  | Q'TY | FINISH | REMARK    |
|----|-------------|-----------|------|--------|-----------|
| 1  | BODY        | BRASS     | 1    | NICKEL | B-N0403-N |
| 2  | WASHER      | BRASS     | 1    | NICKEL | W-0036-N  |
| 3  | INSULATION  | TEFLON    | 1    | TEFLON | I-0074T   |
| 4  | GASKET      | SI RUBBER | 1    | RUBBER | RU-0016   |
| 5  | PIN         | BRASS     | 1    | GOLD   | P-N0258-G |



**HUS-TSAN GROUP CO., LTD.**  
 P.O. BOX 40-76. TAINAN. TAIWAN, R.O.C.  
 TITLE **N PANEL FEMALE RECEPTACLE**  
 PART NO. **N-22-TGN**  
 DRAWING NO. **N 22 TGN**

|          |      |      |          |
|----------|------|------|----------|
| DRAWN    | MARY | DATE | 96.06.28 |
| CHECKED  | 蘇志欣  | DATE |          |
| Q.A.     | 蘇姿潔  | DATE |          |
| APPROVAL | 徐燦霖  | DATE |          |
| REVISION |      | DATE |          |

|                                      |                |      |   |
|--------------------------------------|----------------|------|---|
| DIMENSIONS ARE IN MILLIMETERS        |                |      |   |
| UNLESS OTHERWISE SPECIFIED TOLERANCE |                |      |   |
| 0.5-5=±0.2                           | 120-315=±1     |      |   |
| 5-30=±0.4                            | 315-1000=±1.6  |      |   |
| 30-120±0.6                           | 1000-2000=±2.4 |      |   |
| SCALE                                | 4:1            | SIZE | A |

|             |          |
|-------------|----------|
| REVISION    |          |
| DESCRIPTION | ENGINEER |
|             |          |
|             |          |