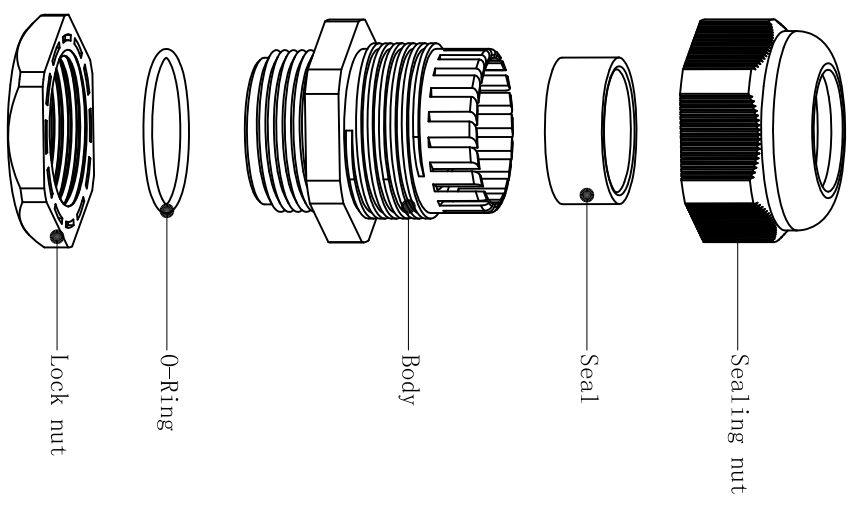
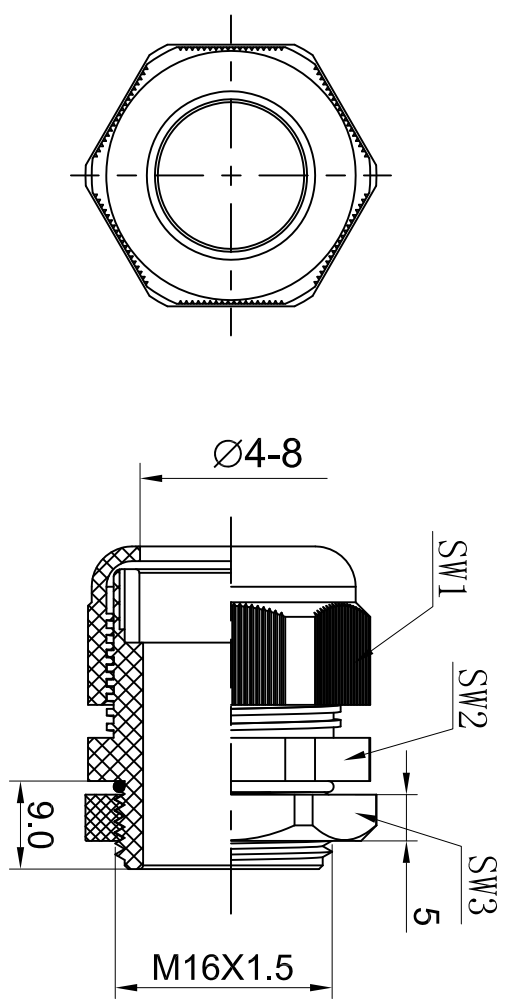


Plastics Cable gland

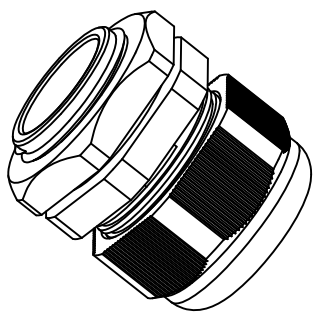


Metric	Claping range (Ø)	SW1	SW2	SW3
M16x1.5	4-8	18.5	18.5	22

REVISION RECORD				
REV	ECN	DESCRIPTION	DRFT	DATE



Plastics Cable gland  
 Material: Nylon  
 Seal Material: NBR  
 Degree of protection: IP68  
 Temperature range: -40~100°C  
 Color: Black



DETACHED LISTS			
PART NO.:	/	NAME:	<b>DEGSON</b> 宁波高松电子有限公司 NINGBO DEGSON ELECTRICAL CO., LTD
APPD:		NAME:	DDL-M16P-00AH
CHKD:		TITLE:	CUSTOMER DRAWING
DRFT:	Mf. Yang2016.08.18	DRAWING NO.:	
THIRD ANGLE PROJECTION		DO NOT SCALE DRAWING	SCALE
REV	DO-1	SHEET	1/1