

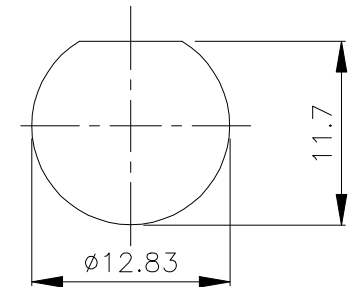
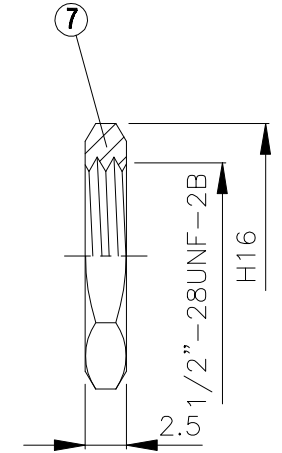
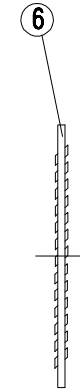
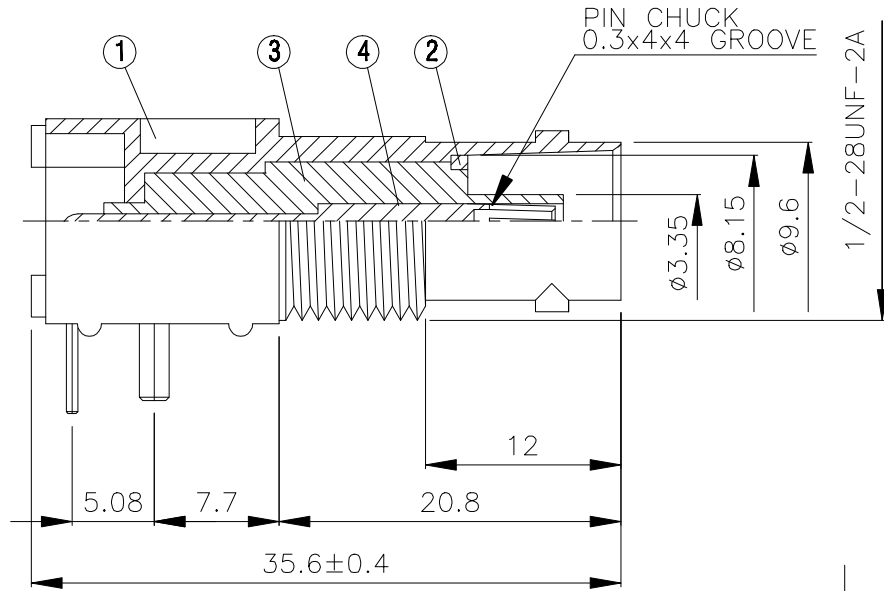
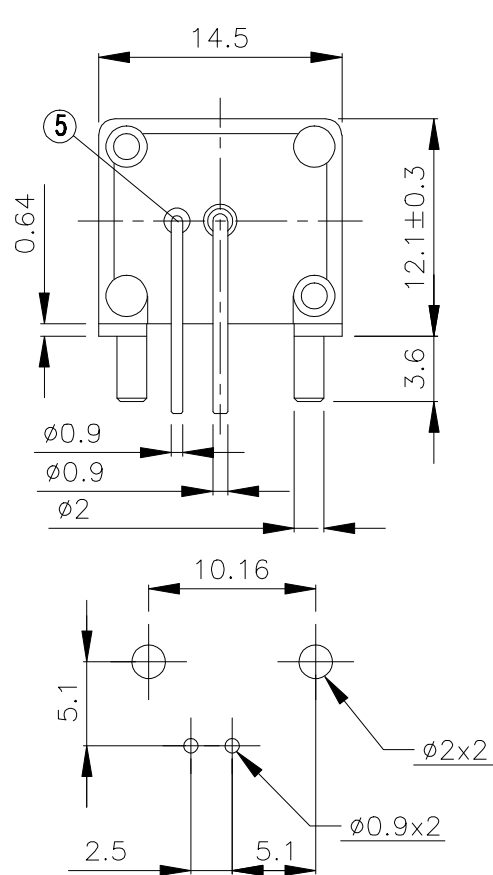
NO	DESCRIPTION	MATERIAL	Q'TY	FINISH
1	BODY	ZINC	1	NICKEL
2	WASHER	BRASS	1	NICKEL
3	INSULATION	DELRIN	1	DELRIN
4	PIN	BRASS	1	GOLD
5	GROUNDING	COPPER	1	TIN
6	WASHER	BRASS	1	NICKEL
7	NUT	BRASS	1	NICKEL

D

C

B

A

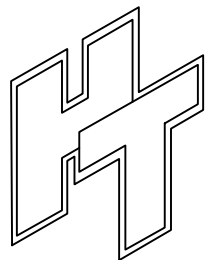


D

C

B

A



**HUS-TSAN GROUP CO., LTD.**  
P.O.BOX 40-76.TAINAN.TAIWAN,R.O.C.  
**TITLE BNC RIGHT ANGLE FEMALE PCB RECEPTACLE**  
**PART NO. BNC-16V4-DGN-75**  
**DRAWING NO. BNC 16V4 DGN-75**

**DRAWN** 蘇姿潔  
**CHECKED** 蘇志欣  
**Q.A.** 莊千慧  
**APPROVAL** 徐燦霖  
**REVISION**

**DATE** 99.01.28  
**DATE**  
**DATE**  
**DATE**  
**DATE**

**DIMENSIONS ARE IN MILLIMETERS**  
**UNLESS OTHERWISE SPECIFIED TOLERANCE**  
0.5-5=±0.2    120-315=±1  
5-30=±0.4    315-1000=±1.6  
30-120±0.6    1000-2000=±2.4  
**SCALE** 4:1    **SIZE** A

REVISION	
DESCRIPTION	ENGINEER

4

3

2

1