

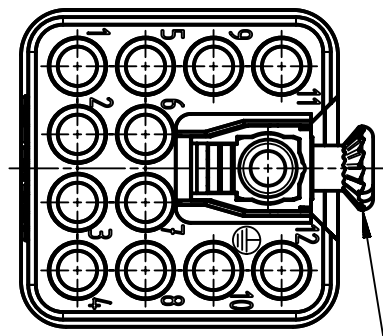
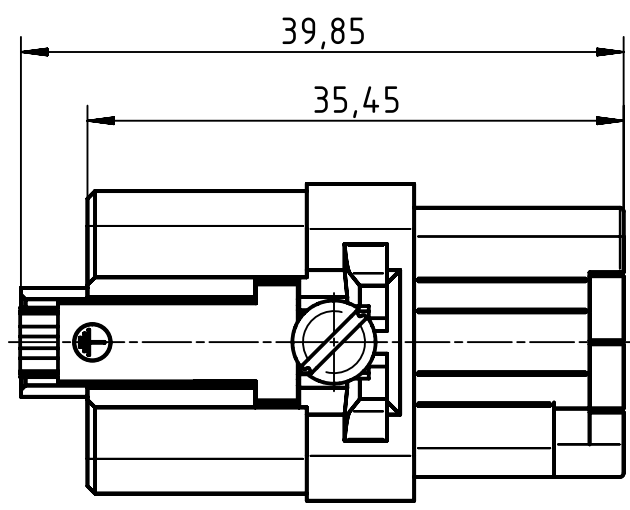
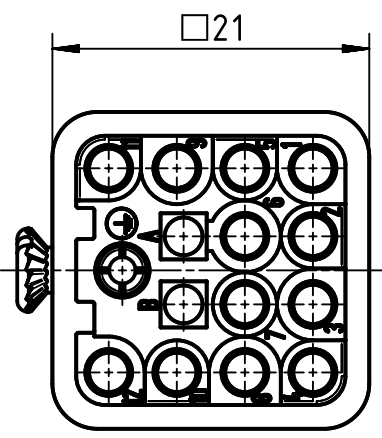
1 2 3 4 5 6

A

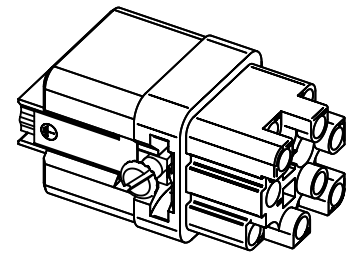
B

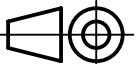

C

D



enclosed separately



 All Dimensions in mm Original Size DIN A4	Scale	Free size tol.			Ref.
	2:1				Sub.
 All rights reserved Department EL PD - DE	Created by	Inspected by	Standardisation	Date	State
	RULLKOETTER	BERGHORN	TIEMANNA	2015-04-20	Final Release
HARTING Electric GmbH & Co. KG D-32339 Espelkamp	Title				Doc-Key / ECM-Nr.
	Insert Han Q 12/0 Female				100177315/UGD/006/B 500000088420
Type		Number			Rev.
TB		09 12 012 3101			B
					Page
					1/1