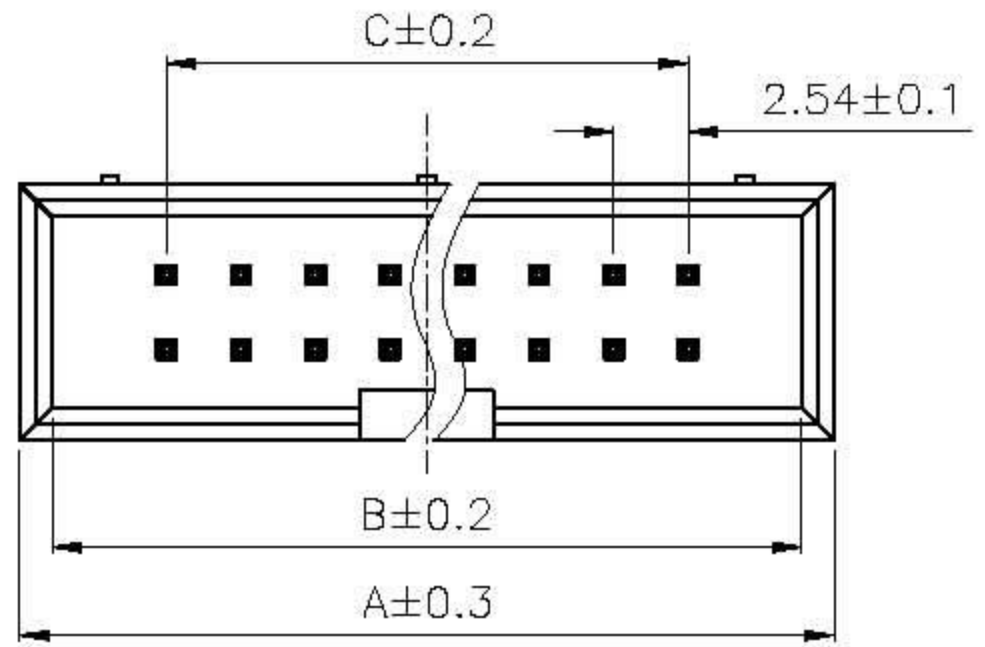
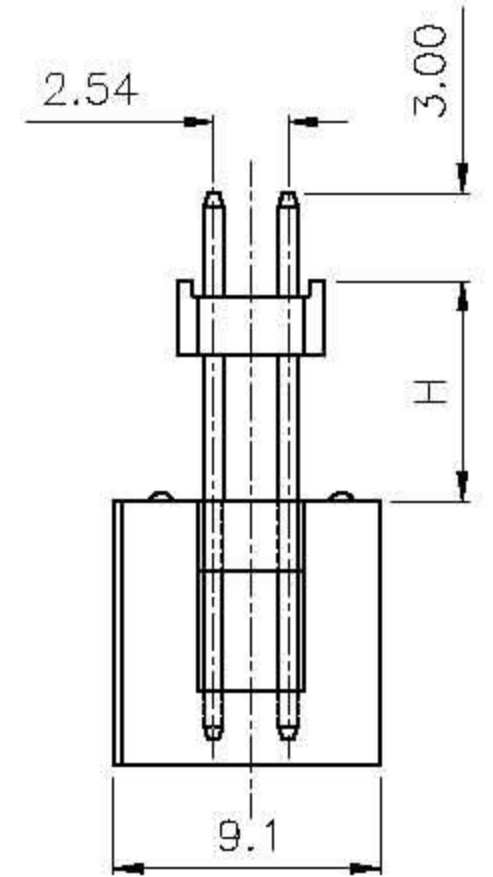
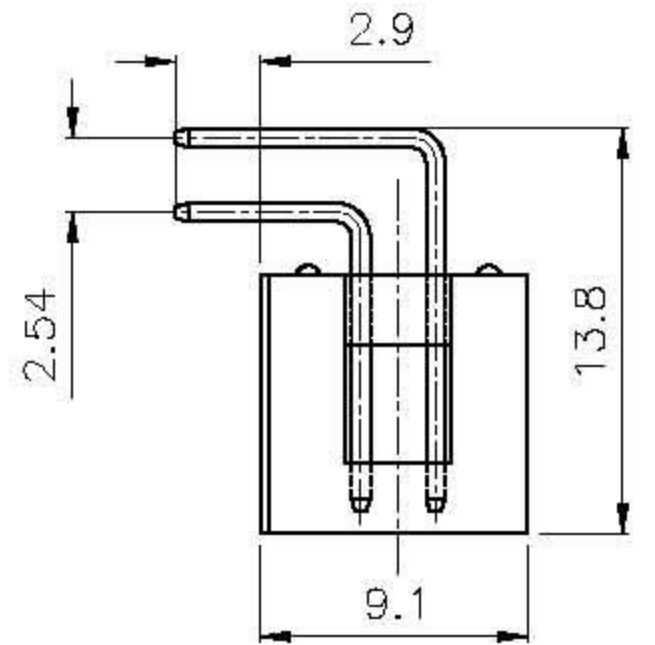
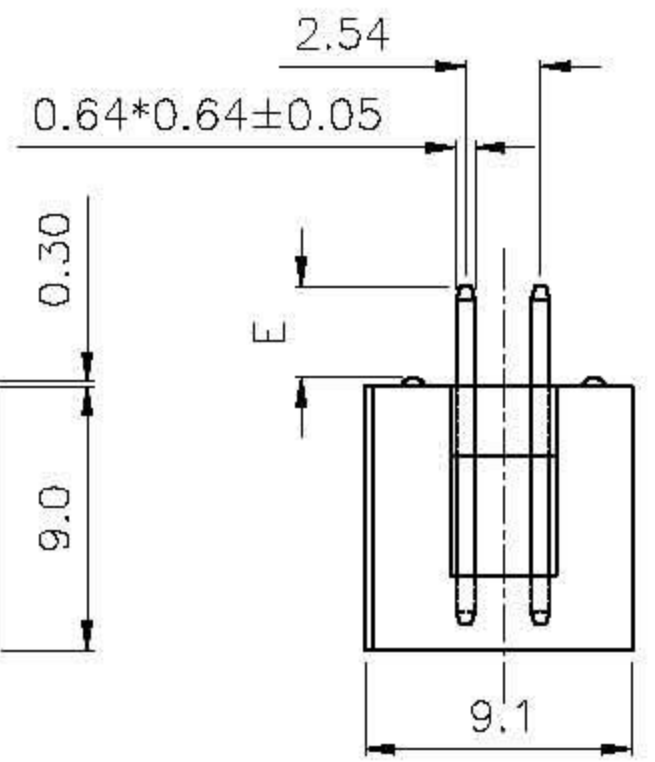
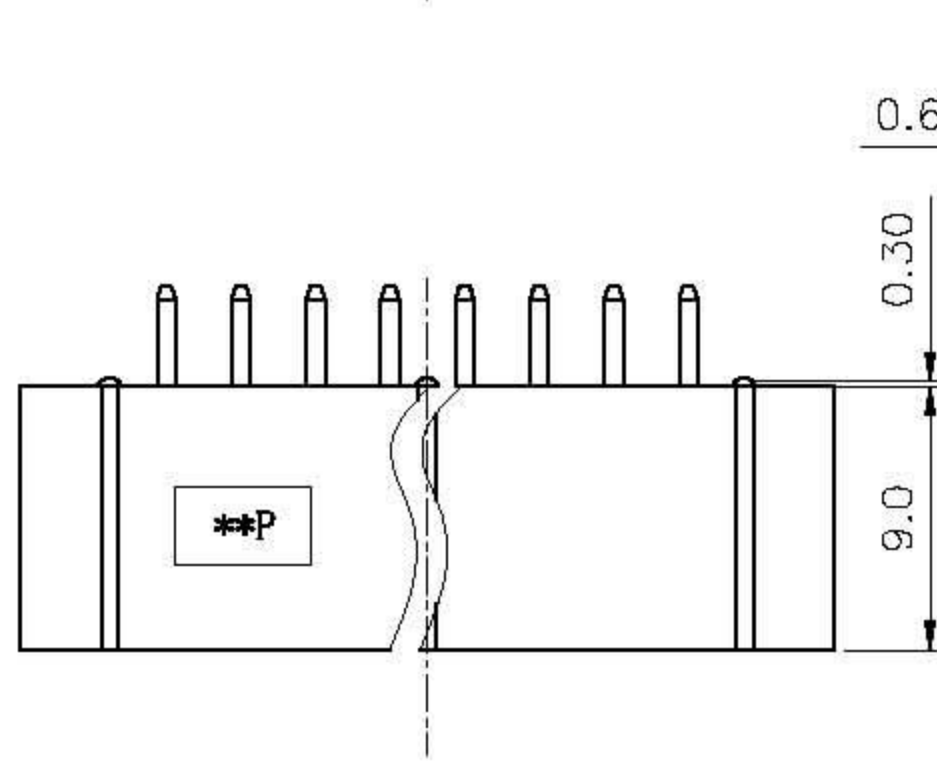
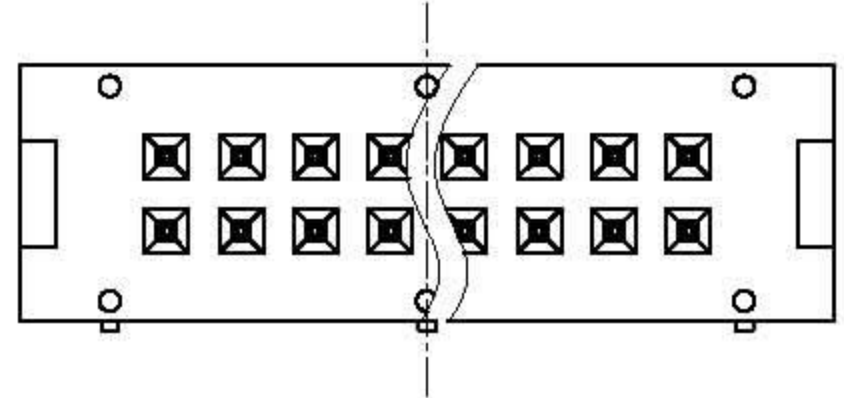


| REV. | DESCRIPTION | DRAWN | CHECKED | APPROVED |
|------|--------------------|---------------|---------|---------------|
| A | NEW RELEASE | LJH 09/20/05' | ~ | LJC 09/20/05' |
| B | 料号中增加尺寸DIM. H, E选项 | YCH 07/18/08' | ~ | |
| | | | | |



V/T TYPE

R/A TYPE

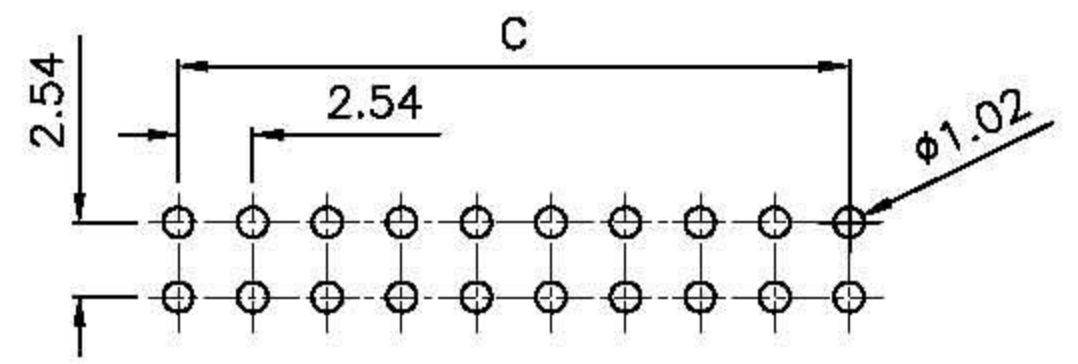
Elevator TYPE

Dimension

| Position | A | B | C | | | | |
|----------|-------|-------|-------|----|-------|-------|-------|
| 10 | 20.30 | 18.10 | 10.16 | 30 | 45.70 | 43.50 | 35.56 |
| 12 | 22.84 | 20.64 | 12.70 | 34 | 50.78 | 48.58 | 40.64 |
| 14 | 25.38 | 23.18 | 15.24 | 40 | 58.40 | 56.20 | 48.26 |
| 16 | 27.92 | 25.72 | 17.78 | 50 | 71.10 | 68.90 | 60.96 |
| 20 | 33.00 | 30.80 | 22.86 | 60 | 83.80 | 81.60 | 73.66 |
| 26 | 40.62 | 38.42 | 30.48 | 64 | 88.88 | 86.68 | 78.74 |

NOTES:

- ELECTRICAL CHARACTERISTICS:
 - CONTACT RESISTANCE: 20mΩ Max. INITIAL.
 - DIELECTRIC WITHSTANDING VOLTAGE: 500V AC(rms) FOR 1 MINUTE.
 - INSULATION RESISTANCE: 1000MΩ Min.
- ENVIRONMENT CHARACTERISTICS:
 - TEMPERATURE RANGE: -45°C~+105°C.
- PART NUMBER: DS1013
- PRODUCT NUMBER CODE:
 DS1013- X X X X X X
 DIM. H TYPE (FOR ELEVATOR ONLY)
 1: 7.50
 2: 9.50
 DIM. E TYPE (FOR V/T ONLY)
 1: 3.10
 2: 8.00
 HOUSING COLOR
 B: BLACK
 W: WHITE
 U: BLUE
 A: GRAY
 CONTACT PLATING
 Si: FULL GOLD FLASH
 MOUNTING TYPE
 S: V/T TYPE
 R: R/A TYPE
 E: Elevator TYPE
 No.OF CONTACTS
 08 10 14 16
 20 26 30 34
 40 50 60 64



RECOMMEND PCB LAYOUT(TOLERANCE=±0.05)

| | | | | | | |
|-------------------|-----------------|------------|--------|------------|-------------------------|----------------------|
| GENERAL TOLERANCE | ANGLE TOLERANCE | PROJECTION | ⊕ | TITLE | BOX HEADER PITCH 2.54mm | |
| X. ±0.60 | X. ±5° | UNITS | mm | SHEET SIZE | A4 | SERIES DS1013 SERIES |
| .X ±0.38 | .X ±3° | | | | | |
| .XX ±0.25 | .XX ±2° | | | | | |
| DRAWING TYPE | CUSTOMER | | | | | |
| SCALE | 1:1 | SHEET | 1 OF 1 | | | |
| DRAWING NO. | C-DS1013-XXXX-B | | | | | |