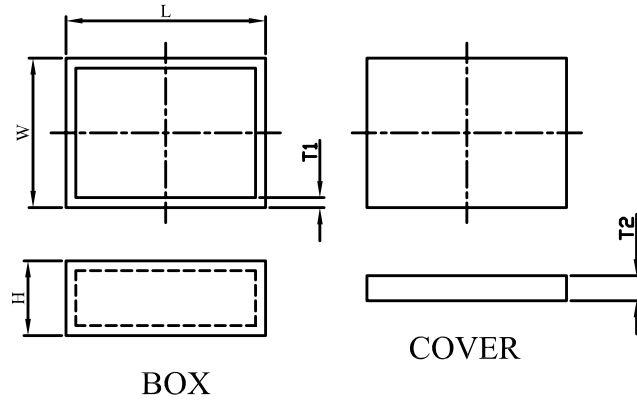
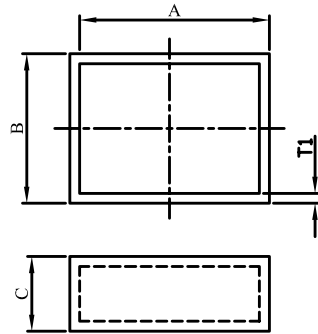


POTTING BOX
STYLE A



STYLE B



宣又實業有限公司 GAINTA INDUSTRIES LTD.	設計 DES'D BY	繪圖 DRA'D BY	核圖 CHK'D BY	比例 SCALE	日期 DATE	材質 MATE.	圖名 TITLE	圖號 DWG NO.	圖號 REVISD	說明 DESCRIPTION
		Spencer			Apr.17,2006	ABS	POTTING BOX			

***STYLE A (TOP COVERS ARE AVAILABLE)

STOCK NO.		EXTERNAL DIMENSION (mm)				
BOX	COVER	L	W	H	T1	T2
G202013B	G202013L	20	20	13	0.9	1.0
G252515B	G252515L	25	25	15	1.1	1.1
G252525B	G252515L	25	25	25	1.1	1.1
G302015B	G302015L	30	20	15	1.1	1.5
G401316B	G401316L	40.5	13.5	16.5	1.2	1.5
G401325B	G401316L	40.5	13.5	25.0	1.3	1.5
G404013B	G404013L	40	40	13	1.4	1.7
G404020B	G404013L	40	40	20	1.5	1.7
G453015B	G453015L	45	30	15	1.0	1.6
G403025B	G453015L	45	30	25	1.0	1.6
G501315B	G501315L	50	13	15	1.5	1.3
G505015B	G505015L	50	50	15	1.6	1.6
G505025B	G505015L	50	50	25	1.6	1.6
G505050B	G505015L	50	50	50	2.3	1.6
G705020B	G705020L	70.5	50.5	20	1.5	1.9
G705035B	G705020L	70.5	50.5	35	1.5	1.9
G906020B	G906020L	90	60	20	1.6	1.9
G1005025B	G1005025L	100	50	25	1.5	1.9
G10010040B	G10010040L	100	100	40	2.0	2.1
G606050B	G606050L	60	60	50	1.5	1.8

***STYLE B (TOP COVERS ARE NOT AVAILABLE)

STOCK NO.	EXTERNAL DIMENSION (mm)			
BOX	A	B	C	T1
G141411B	14	14	11.5	1.0
G171410B	17.3	14.8	10.5	1.0
G171415B	17.3	14.8	15.2	1.0
G181812B	18.4	18.4	13.5	0.9
G211317B	21	13	17.5	1.0
G222214B	22.3	22.3	14	0.9
G262635B	26	26	35	1.1
G282819B	28.7	28.7	19	1.1
G303050B	30	30	50	1.5
G323220B	32.3	32.3	20	1.3
G383826B	38.8	38.8	26.5	1.3
G383839B	38.8	38.8	39	1.3
G401020B	40	10	20	1.1
G464640B	46	46	40.5	1.6
G121215B	12	12	15	1.0
G212112B	21	21	12	1.1
G252515B	25	25	15	1.1
G382020B	38	20	20	1.0
G453016B	45.5	30.5	16	1.4
G673546B	67	35.5	46	1.8

宣又實業有限公司 GAINTA INDUSTRIES LTD.	設計 DES'D BY	繪圖 DRA'D BY	核圖 CHK'D BY	比例 SCALE	日期 DATE	材質 MATE.	圖名 TITLE	圖號 DWG NO.	圖號 REVISD	說明 DESCRIPTION
		Spencer			Apr.17,2006	ABS	POTTING BOX			