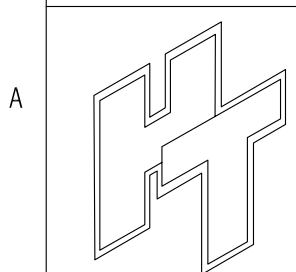
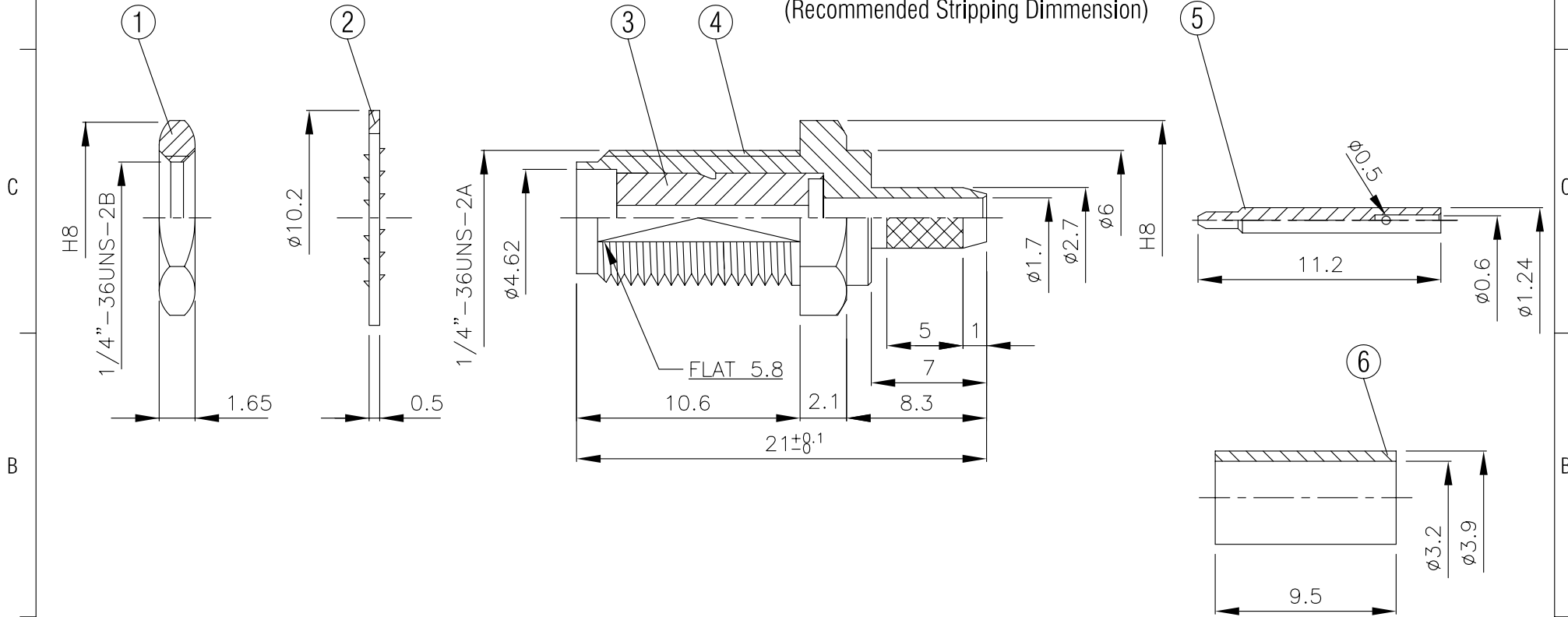
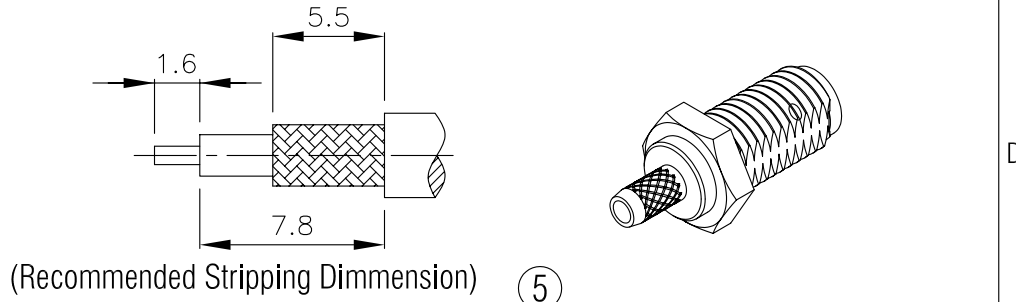


NO	DESCRIPTION	MATERIAL	Q'TY	FINISH	REMARK
1	NUT	BRASS	1	NICKEL	N-0006
2	WASHER	BRASS	1	NICKEL	W-0016
3	INSULATION	TEFLON	1	TEFLON	I-0131T
4	BODY	BRASS	1	NICKEL	B-SMA0506-N
5	PIN	BRASS	1	GOLD	P-SMA0059-G
6	RING	BRASS	1	NICKEL	R-0002



**HUS-TSAN GROUP CO., LTD.**  
P.O.BOX 40-76.TAINAN.TAIWAN,R.O.C.  
**TITLE**SMA FEMALE CRIMP FOR  
RG 174/U (REVERSE POLARITY)  
**PART NO.** SMA-56LV1-TGN-RP  
**DRAWING NO.** SMA 56LV1 TGN-RP

<b>DRAWN</b> MARY	<b>DATE</b> 92.05.06
<b>CHECKED</b> 黃巧君	<b>DATE</b> 92.05.06
<b>Q.A.</b> 蘇姿潔	<b>DATE</b>
<b>APPROVAL</b> 徐燦霖	<b>DATE</b>
<b>REVISION</b>	<b>DATE</b>

<b>DIMENSIONS ARE IN MILLIMETERS</b>	
UNLESS OTHERWISE SPECIFIED TOLERANCE	
0.5-5=±0.2	120-315=±1
5-30=±0.4	315-1000=±1.6
30-120±0.6	1000-2000=±2.4
<b>SCALE</b> 4:1	<b>SIZE</b> A

REVISION	
DESCRIPTION	ENGINEER