


Plastics Cable gland		 (mm)	
Metric	Claping range (Ø)	SW1	SW2
M20x1.5	7-12	27	27

REVISION RECORD				
REV	ECN	DESCRIPTION	DRFT	DATE

H

G

F

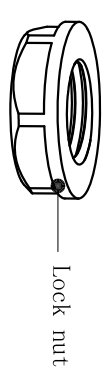
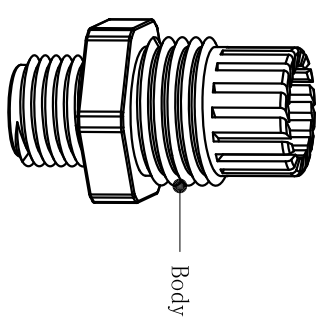
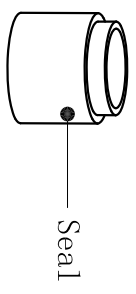
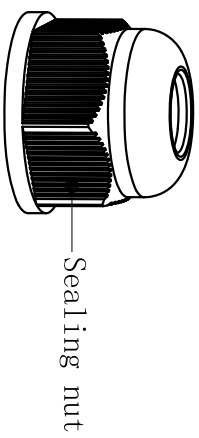
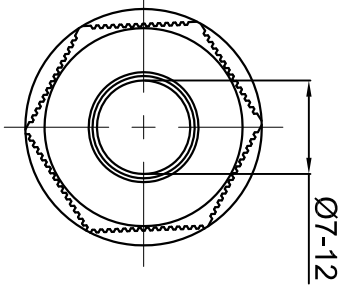
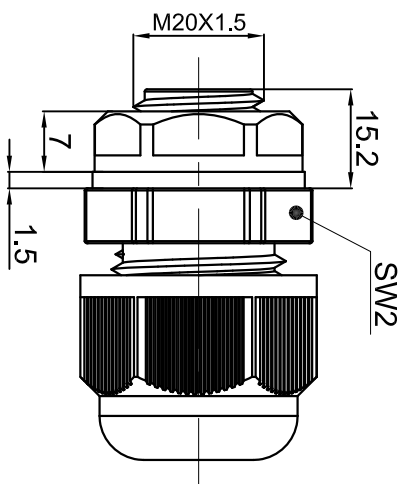
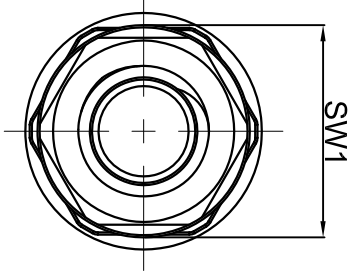
E

D

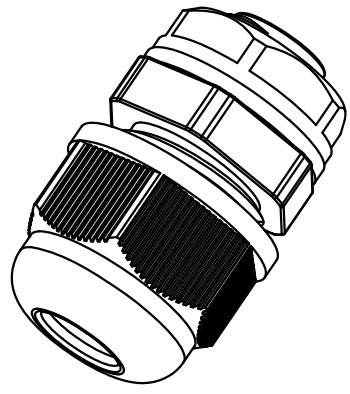
C


B

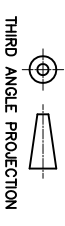
A



Plastics Cable gland  
 Material: Nylon  
 Seal Material: NBR  
 Degree of protection: IP68  
 Temperature range: -40~100°C  
 Color: Black



DETACHED LISTS			
PART NO.:	/	NAME:	 NINGBO DEGSON ELECTRICAL CO., LTD 宁波高松电子有限公司
APPD.:		TITLE:	CUSTOMER DRAWING
CHKD.:		DRAWING NO.:	
DRFT:	Mr. Yang2016.08.18	DO NOT SCALE DRAWING	SCALE



8

7

6

5

4

3

2

1

A

B

C

D

E

F

G

H