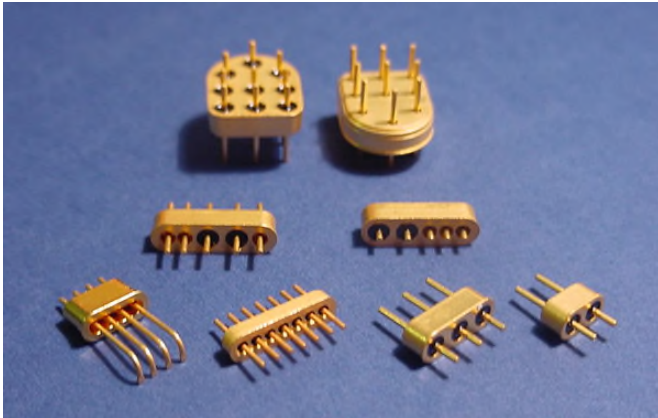




39 Souhegan Street - P.O. Box 269, Wilton, New Hampshire 03086
TEL (603) 654-2002 FAX (603) 654-2533
email: sales@shp-seals.com - website: www.shp-seals.com

ISO 9001:2015 Certified

HERMETIC HEADERS
SOLDERABLE



These miniature "Aluminum Compatible" headers provide high density hermetic feedthru arrays in DC, Capacitive or Hybrid arrangements. The design allows for highly reliable soldering in aluminum and other high expansion materials intended for severe thermal environments.

SPECIFICATION

- Designed to MIL-F-15733
Material - Steel
Insulation - Glass
Finish - 50 microinches minimum GOLD per MIL-G-45204, Type III, Grade A over 200-400 microinches NICKEL per MIL-C-26074
Leak Rate - Less than 1 X 10^-8 cc/sec @ 1 ATM (He).
Maximum Temperature - 250°C
DWV (pin to ground) - 250 VDC
HH50A series, all others 500 VDC
DWV (Cap) - 50 VDC (higher available)
Capacitance - up to 10,000 pF GMV (+ 100% / - 0)
Insulation Resistance - 1,000 meg ohm-mfd @ 25°C
Dissipation Factor - Less than 3%

Table with columns: PART NO., OTHER DIMENSIONS, MATERIAL. Rows include HH50Axx, HH60xx, HH2Mxx, HH80xx, HH100xx and a section for CAP & HYBRIDS.

Example Part No: HH8025-4P-125-250-02

- NOTES: (1) Insert pin diameter in thousandths in series.
(2) Insert pin quantity
(3) Insert L1 and L2 pin lengths in thousandths.
(4) Standard plating - others available
(5) Standard pin termination is straight-cut. See Bulletin 100, page 3 for special pin terminations.
(6) Please specify at time of quote if you intend to wire bond to ends of pins.
(7) See Bulletin 220 for solder performs.

All dimensions are inches.



39 Souhegan Street - P.O. Box 269, Wilton, New Hampshire 03086  
 TEL (603) 654-2002 FAX (603) 654-2533  
 email: sales@shp-seals.com - website: www.shp-seals.com

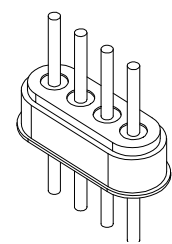
ISO 9001:2015 Certified

**HERMETIC HEADERS  
 SOLDERABLE**

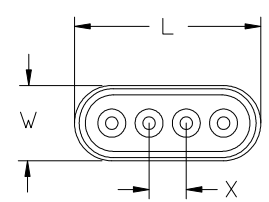
|         |                                     | Series Prefix - HH50A |                           |      |      |      |      |      |      |      |                     |  |
|---------|-------------------------------------|-----------------------|---------------------------|------|------|------|------|------|------|------|---------------------|--|
| .050 OC | DIM                                 | NO. PINS              | 2P                        | 3P   | 4P   | 5P   | 6P   | 7P   | 8P   | 9P   | > 9P <sup>(2)</sup> |  |
|         |                                     | L (±.002)             | .160                      | .210 | .260 | .310 | .360 | .410 | .460 | .510 | (1)                 |  |
|         |                                     | W                     | .110±.002                 |      |      |      |      |      |      |      |                     |  |
|         |                                     | H                     | .060 ±.002                |      |      |      |      |      |      |      |                     |  |
|         |                                     | D                     | .018, .020 ±.0015         |      |      |      |      |      |      |      |                     |  |
|         |                                     | X                     | .050 ±.003 Non-cumulative |      |      |      |      |      |      |      |                     |  |
| L1/L2   | Specify length in thousandths ±.005 |                       |                           |      |      |      |      |      |      |      |                     |  |

|         |                                     | Series Prefix - HH60 |                           |      |      |      |      |      |                     |  |
|---------|-------------------------------------|----------------------|---------------------------|------|------|------|------|------|---------------------|--|
| .060 OC | DIM                                 | NO. PINS             | 2P                        | 3P   | 4P   | 5P   | 6P   | 7P   | > 7P <sup>(2)</sup> |  |
|         |                                     | L (±.002)            | .180                      | .240 | .300 | .360 | .420 | .480 | (1)                 |  |
|         |                                     | W                    | .120 ±.002                |      |      |      |      |      |                     |  |
|         |                                     | H                    | .080 ±.002                |      |      |      |      |      |                     |  |
|         |                                     | D                    | .018, .020, .025 ±.0015   |      |      |      |      |      |                     |  |
|         |                                     | X                    | .060 ±.003 Non-cumulative |      |      |      |      |      |                     |  |
| L1/L2   | Specify length in thousandths ±.005 |                      |                           |      |      |      |      |      |                     |  |

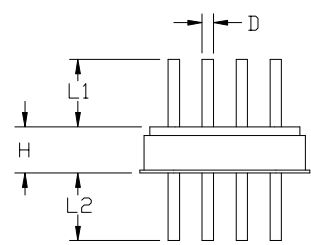
|                   |                                     | Series Prefix - HH2M |                            |      |      |      |      |                     |
|-------------------|-------------------------------------|----------------------|----------------------------|------|------|------|------|---------------------|
| 2mm OC<br>(.0787) | DIM                                 | NO. PINS             | 2P                         | 3P   | 4P   | 5P   | 6P   | > 6P <sup>(2)</sup> |
|                   |                                     | L (±.002)            | .200                       | .280 | .360 | .440 | .520 | (1)                 |
|                   |                                     | W                    | .120 ±.002                 |      |      |      |      |                     |
|                   |                                     | H                    | .080 ±.002                 |      |      |      |      |                     |
|                   |                                     | D                    | .020, .025 ±.0015          |      |      |      |      |                     |
|                   |                                     | X                    | .0787 ±.003 Non-cumulative |      |      |      |      |                     |
| L1/L2             | Specify length in thousandths ±.005 |                      |                            |      |      |      |      |                     |



|         |                                     | Series Prefix - HH80 |                           |      |      |      |      |                     |
|---------|-------------------------------------|----------------------|---------------------------|------|------|------|------|---------------------|
| .080 OC | DIM                                 | NO. PINS             | 2P                        | 3P   | 4P   | 5P   | 6P   | > 6P <sup>(2)</sup> |
|         |                                     | L (±.002)            | .200                      | .280 | .360 | .440 | .520 | (1)                 |
|         |                                     | W                    | .120 ±.002                |      |      |      |      |                     |
|         |                                     | H                    | .080 ±.002                |      |      |      |      |                     |
|         |                                     | D                    | .020, .025 ±.0015         |      |      |      |      |                     |
|         |                                     | X                    | .080 ±.003 Non-cumulative |      |      |      |      |                     |
| L1/L2   | Specify length in thousandths ±.005 |                      |                           |      |      |      |      |                     |



|         |                                     | Series Prefix - HH100 |                           |      |      |                     |
|---------|-------------------------------------|-----------------------|---------------------------|------|------|---------------------|
| .100 OC | DIM                                 | NO. PINS              | 2P                        | 3P   | 4P   | > 4P <sup>(2)</sup> |
|         |                                     | L (±.002)             | .250                      | .350 | .450 | (1)                 |
|         |                                     | W                     | .150 ±.002                |      |      |                     |
|         |                                     | H                     | .080 ±.002                |      |      |                     |
|         |                                     | D                     | .020, .025, .030 ±.0015   |      |      |                     |
|         |                                     | X                     | .100 ±.003 Non-cumulative |      |      |                     |
| L1/L2   | Specify length in thousandths ±.005 |                       |                           |      |      |                     |



**NOTE:** (1) Contact SHP for specifications.

(2) Pin counts shown are standard & maximum for full military temp environment (-65°C to +125°C). Higher pin counts can be provided for reduced environments. Call SHP for guidance.

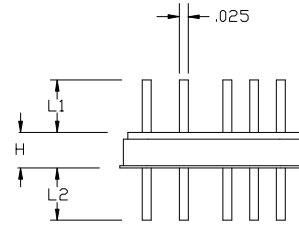
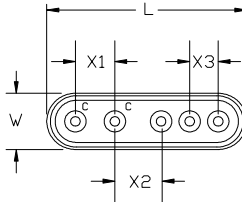
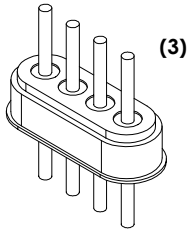
All dimensions are inches.



39 Souhegan Street - P.O. Box 269, Wilton, New Hampshire 03086  
 TEL (603) 654-2002 FAX (603) 654-2533  
 email: sales@shp-seals.com - website: www.shp-seals.com

ISO 9001:2015 Certified

**HERMETIC HEADERS  
SOLDERABLE**



|      |      | Series - Prefix HHCA- |                               |      |      |
|------|------|-----------------------|-------------------------------|------|------|
|      |      | No. Pins              | 2P                            | 3P   | 4P   |
| CAPS | DIM. | L (±.002)             | .260                          | .380 | .500 |
|      |      | W                     | .140 (±.002)                  |      |      |
|      |      | H                     | .125(±.002)                   |      |      |
|      |      | D                     | .025 (±.0015)                 |      |      |
|      |      | X                     | .120 ±.003 non-cumulative     |      |      |
|      |      | L1/L2±.005            | Specify length in thousandths |      |      |

|                       |                               | Series - Prefix HHHY-                          |  |  |                     |                     |                     |
|-----------------------|-------------------------------|--|--|--|---------------------|---------------------|---------------------|
|                       |                               | No. Pins                                       | 2P   | 3P   | 4P                  | 5P                  | 6P                  |
| HYBRID<br>(DC & Caps) | 1<br>CAP                      | L (±.002)                                      | .232 <sup>(2)</sup>  | .300 <sup>(2)</sup>  | .368 <sup>(2)</sup> | .436 <sup>(2)</sup> | .501 <sup>(2)</sup> |
|                       |                               | W  | .140 (±.002)   |  |                     |                     |                     |
|                       |                               | H  | .125(±.002)  |  |                     |                     |                     |
|                       |                               | D  | .025 (±.0015)  |  |                     |                     |                     |
|                       |                               | X <sub>1</sub> /X <sub>2</sub> /X <sub>3</sub> | X <sub>1</sub> = .115, X <sub>2</sub> = .092, X <sub>3</sub> = .068 ±.003 non-cumulative |  |                     |                     |                     |
|                       |                               | L1/L2±.005                                     | Specify length in thousandths  |  |                     |                     |                     |
|                       | 2<br>CAPS                     | No. Pins                                       |  | 3P   | 4P                  | 5P                  |                     |
|                       |                               | L (±.002)                                      |  | TBD  | TBD                 | TBD                 |                     |
|                       |                               | W  |  | .140 (±.002)   |                     |                     |                     |
|                       |                               | H  |  | .125 (±.002)   |                     |                     |                     |
|                       |                               | D  |  | .025 (±.0015)  |                     |                     |                     |
|                       |                               | X <sub>1</sub> /X <sub>2</sub> /X <sub>3</sub> |  | X <sub>1</sub> = .115, X <sub>2</sub> = .092, X <sub>3</sub> = .068 ±.003 non-cumulative |                     |                     |                     |
| L1/L2±.005            | Specify length in thousandths |  |  |  |                     |                     |                     |

- NOTES: (1) X<sub>1</sub>/X<sub>2</sub>/X<sub>3</sub> are minimums and are standard. Other spacing available within maximum overall length shown.  
 (2) This length will vary depending on arrangement of capacitors in header.  
 (3) Shown with straight-cut pins. See Bulletin 100, page 3 for other pin terminations.

All dimensions are inches.

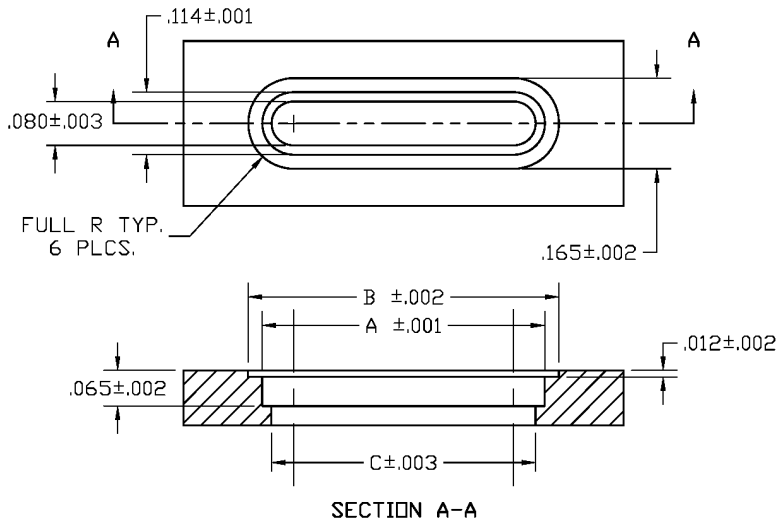


HERMETIC HEADERS  
SOLDERABLE

APPLICATION DATA (1)

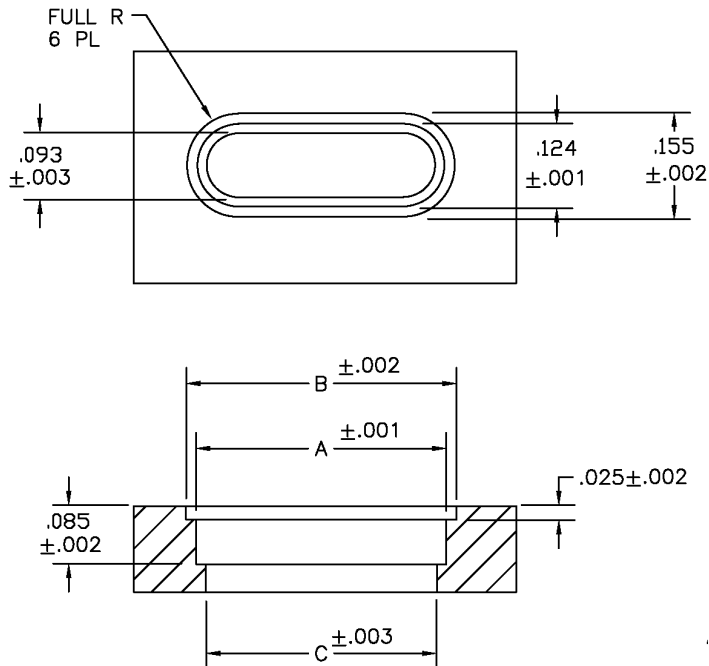
HH50A SERIES

| PINS | A    | B    | C    |
|------|------|------|------|
| 2    | .164 | .215 | .130 |
| 3    | .214 | .265 | .180 |
| 4    | .264 | .315 | .230 |
| 5    | .314 | .365 | .280 |
| 6    | .364 | .415 | .330 |
| 7    | .414 | .465 | .380 |
| 8    | .464 | .515 | .430 |
| 9    | .514 | .565 | .480 |



HH60 SERIES

| PINS | A    | B    | C    |
|------|------|------|------|
| 2    | .184 | .215 | .153 |
| 3    | .244 | .275 | .213 |
| 4    | .304 | .335 | .273 |
| 5    | .364 | .395 | .333 |
| 6    | .424 | .455 | .393 |
| 7    | .484 | .515 | .453 |



NOTE: (1) All dimensions are after plating.

All dimensions are inches.



39 Souhegan Street - P.O. Box 269, Wilton, New Hampshire 03086  
 TEL (603) 654-2002 FAX (603) 654-2533  
 email: sales@shp-seals.com - website: www.shp-seals.com

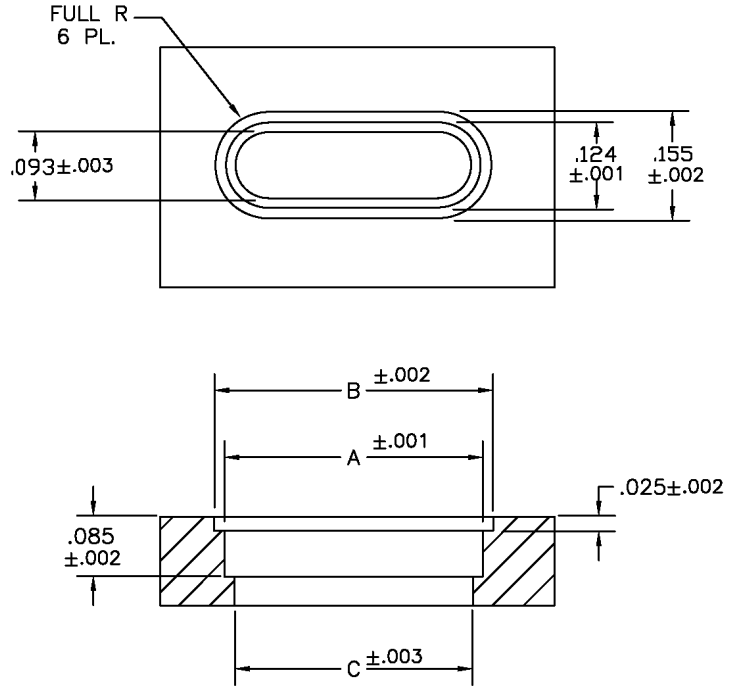
ISO 9001:2015 Certified

**HERMETIC HEADERS  
 SOLDERABLE**

**APPLICATION DATA (1)**

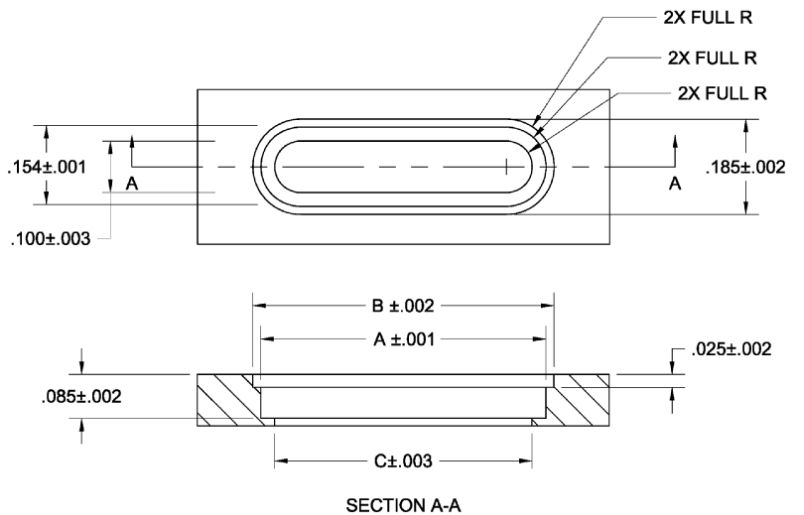
**HH80/HH2M SERIES**

| PINS | A    | B    | C    |
|------|------|------|------|
| 2    | .204 | .235 | .173 |
| 3    | .284 | .315 | .253 |
| 4    | .364 | .395 | .333 |
| 5    | .444 | .475 | .413 |
| 6    | .524 | .555 | .493 |



**HH100 SERIES**

| PINS | A    | B    | C    |
|------|------|------|------|
| 2    | .254 | .285 | .200 |
| 3    | .354 | .385 | .300 |
| 4    | .454 | .485 | .400 |



NOTE: (1) All dimensions are after plating.

All dimensions are inches.



39 Souhegan Street - P.O. Box 269, Wilton, New Hampshire 03086  
TEL (603) 654-2002 FAX (603) 654-2533  
email: sales@shp-seals.com - website: www.shp-seals.com

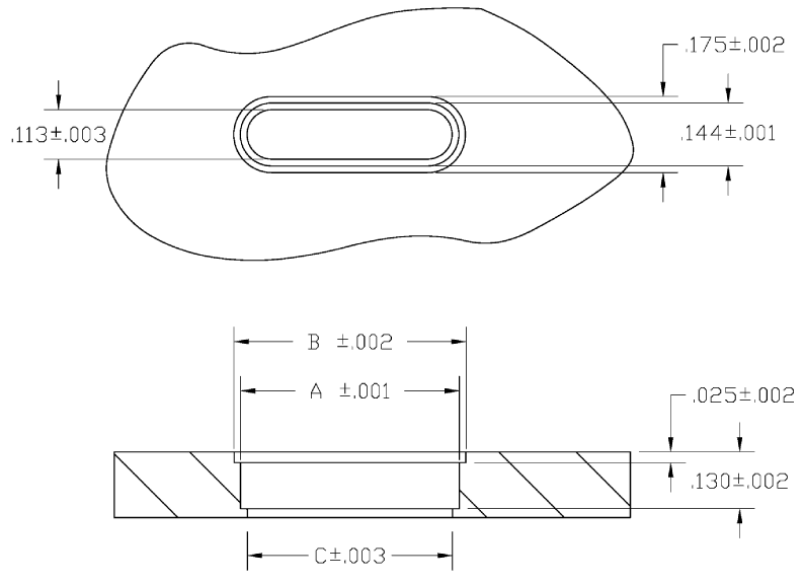
ISO 9001:2015 Certified

**HERMETIC HEADERS  
SOLDERABLE**

**APPLICATION DATA (1)**

**HHCA SERIES**

| PINS | A    | B    | C    |
|------|------|------|------|
| 2    | .264 | .295 | .234 |
| 3    | .384 | .415 | .354 |
| 4    | .504 | .535 | .474 |



NOTE: (1) All dimensions are after plating.

All dimensions are inches.