

REV.	DESCRIPTION	DRAWN	CHECKED	APPROVED
A	NEW RELEASE	LL 07/02/06'		

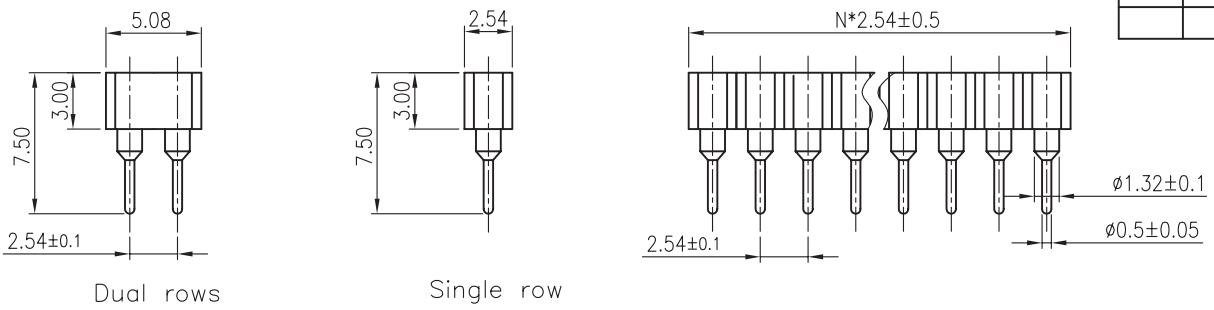
- NOTES:
- ELECTRICAL CHARACTERISTICS:
 - CONTACT RESISTANCE: 20mΩ Max.
 - DIELECTRIC WITHSTANDING VOLTAGE: 500V AC(rms) FOR 1 MINUTE.
 - INSULATION RESISTANCE: 1000MΩ Min.
 - ENVIRONMENT CHARACTERISTICS:
 - OPERATING TEMPERATURE: 0°C~+85°C.
 - STORAGE TEMPERATURE: -20°C~+70°C.
 - PRODUCT NUMBER CODE:

PBSM - X X
 PBDM

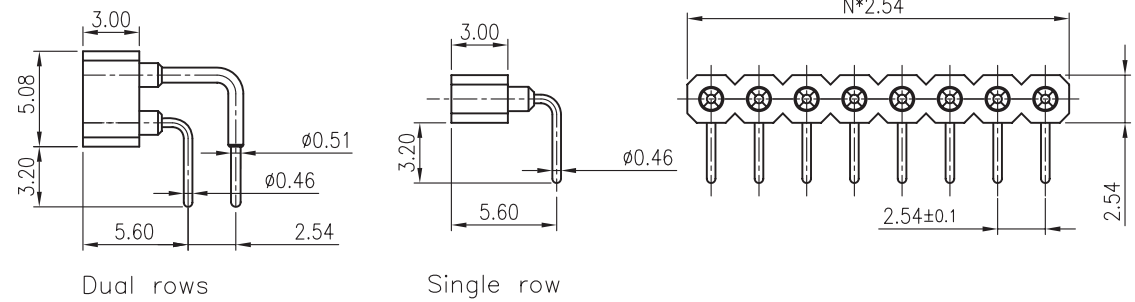
Mounting type
 No: DIP
 R: Right angle
 S: SMT

No. of contacts
 40
 2x40

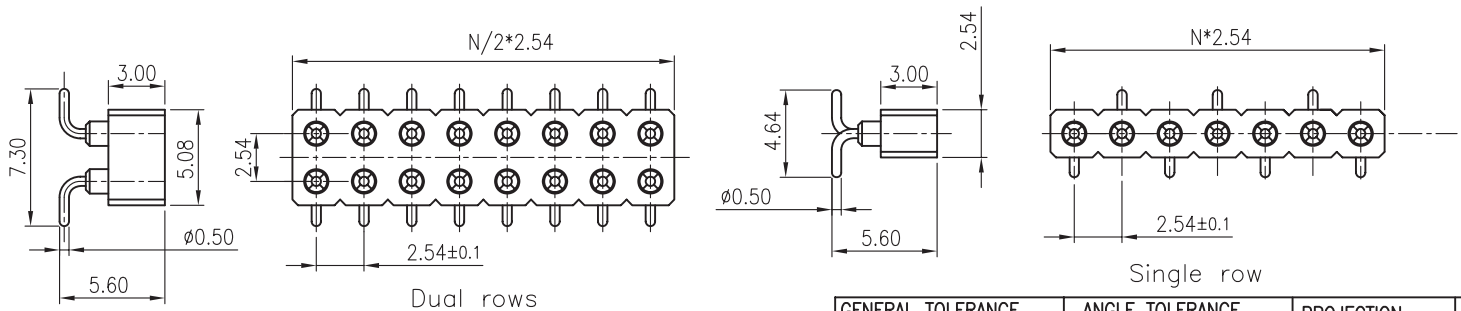
Rows
 S: Single
 D: Dual



V/T TYPE



R/A TYPE



SMT TYPE

N: No. of contacts

GENERAL TOLERANCE		ANGLE TOLERANCE		PROJECTION	TITLE	IC SOCKET R/A & V/T & SMT PITCH 2.54mm	
X.	±0.60	X.	±5'				
.X	±0.38	.X	±3'				
.XX	±0.25	.XX	±2'				
DRAWING TYPE		CUSTOMER					
SCALE		1:1	SHEET	10F1			
DRAWING NO.							