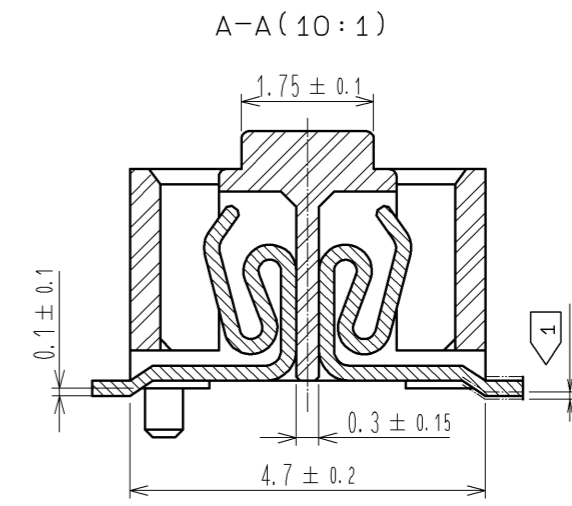
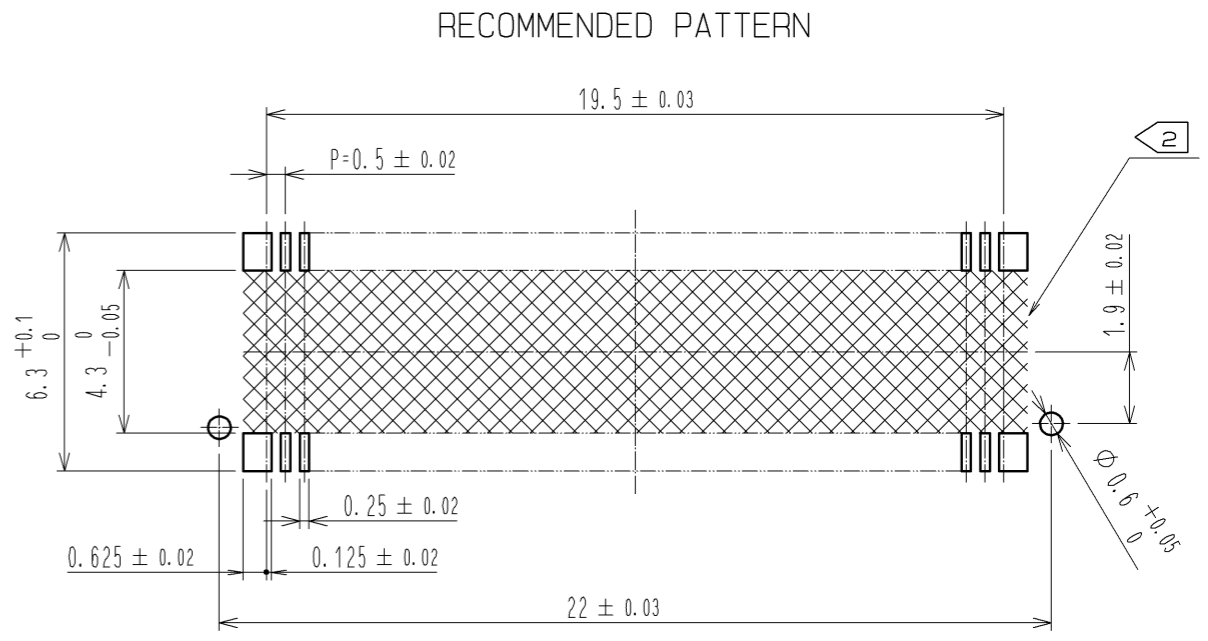
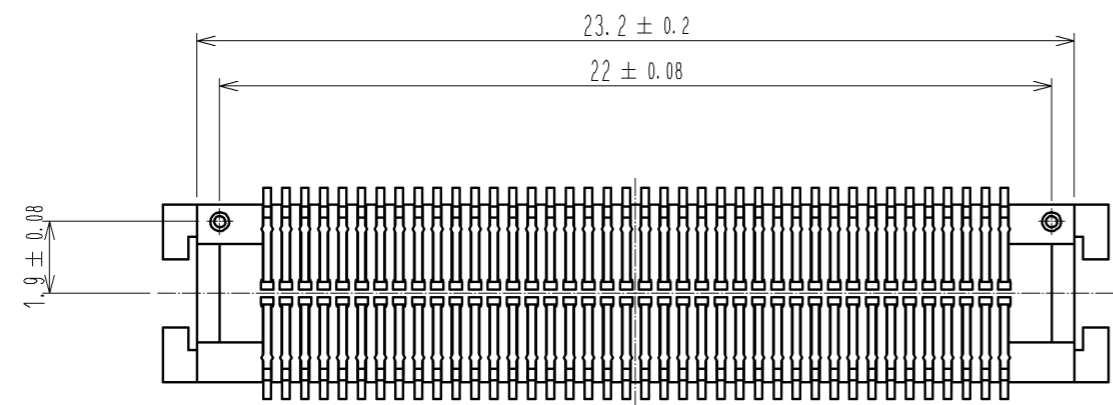
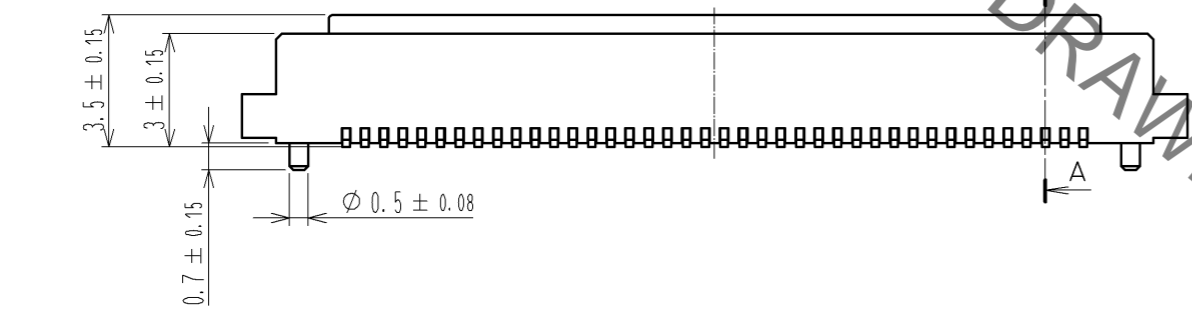
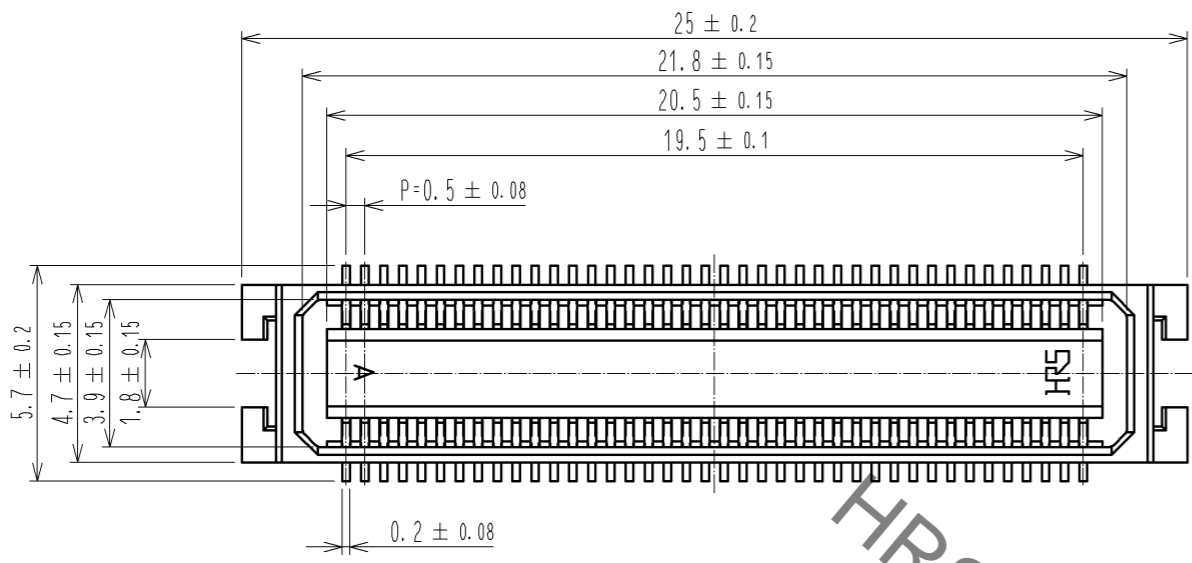


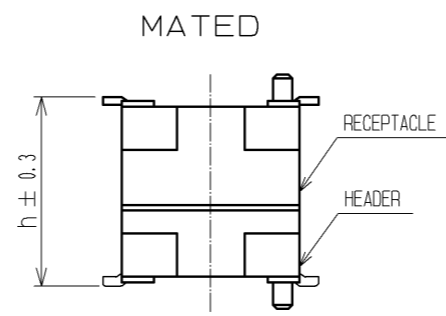
Jun.1.2020 Copyright 2020 HIROSE ELECTRIC CO., LTD. All Rights Reserved.  
In case of consideration for using Automotive equipment / device which demand high reliability, kindly contact our sales window correspondents.



HRS DRAWING FOR REFERENCE

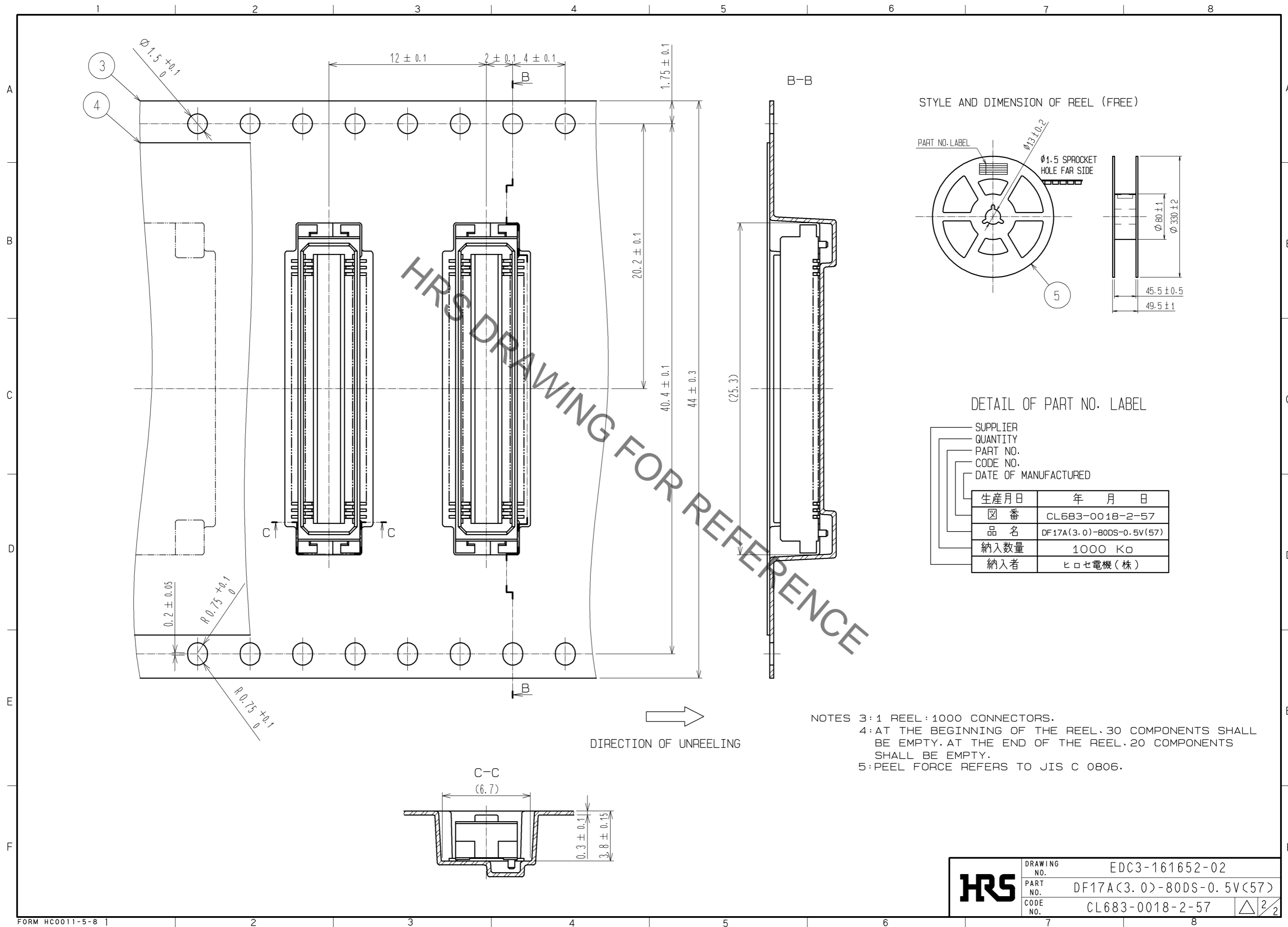
NOTES ①: LEAD CO-PLANARITY INCLUDE REINFORCED METAL FITTINGS SHALL BE 0.1mm MAX.  
②: WHEN A PART MARKED WITH HAS A PATTERN BUT NO RESIST ON IT, TAKE CARE TO PREVENT THE CONNECTOR FROM TOUCHING IT.

MATED HIGHT (h)		(mm)
HEADER NO.	RECEPTACLE NO.	
DF17A(3.0)-80DS-0.5V(57)		
DF17#(2.0)-80DP-0.5V(57)	5	
DF17#(4.0)-80DP-0.5V(57)	7	



NO.	MATERIAL	FINISH	REMARKS	NO.	MATERIAL	FINISH	REMARKS	
2	POLYAMIDE (PA6T)	WHITE BEIGE	UL94V-0	5	PS		BLACK (PLASTIC REEL)	
1	PHOSPHER BRONZE	CONTACT AREA:GOLD PLATED 0.1µm min	LEAD AREA:GOLD PLATED 0.02µm min	4	POLYESTER		CLEAR (COVER TAPE)	
				3	A-PET		CLEAR (EMBOSSSED CARRIER TAPE)	
UNITS mm		SCALE 5:1	COUNT	DESCRIPTION OF REVISIONS		DESIGNED	CHECKED	DATE
HIROSE ELECTRIC CO., LTD.		APPROVED	: KH. IKEDA	08.11.20	DRAWING NO.		EDC3-161652-02	
		CHECKED	: TS. MIYAZAKI	08.11.20	PART NO.		DF17A(3.0)-80DS-0.5V(57)	
		DESIGNED	: TY. YAMASAKI	08.11.19	CODE NO.		CL683-0018-2-57	
		DRAWN	: TY. YAMASAKI	08.11.19				

Jun.1.2020 Copyright 2020 HIROSE ELECTRIC CO., LTD. All Rights Reserved.  
 In case of consideration for using Automotive equipment / device which demand high reliability, kindly contact our sales window correspondents.



HRS DRAWING FOR REFERENCE

DIRECTION OF UNREELING

NOTES 3:1 REEL:1000 CONNECTORS.  
 4:AT THE BEGINNING OF THE REEL,30 COMPONENTS SHALL BE EMPTY.AT THE END OF THE REEL,20 COMPONENTS SHALL BE EMPTY.  
 5:PEEL FORCE REFERS TO JIS C 0806.

<b>HRS</b>	DRAWING NO.	EDC3-161652-02
	PART NO.	DF17A(3.0)-80DS-0.5V(57)
	CODE NO.	CL683-0018-2-57
		$\triangle$ 2/2