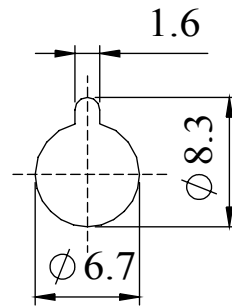
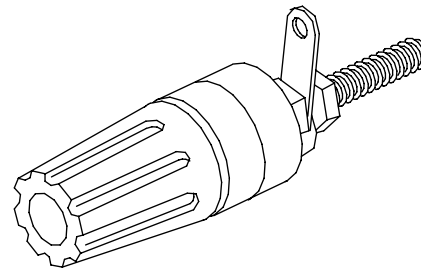
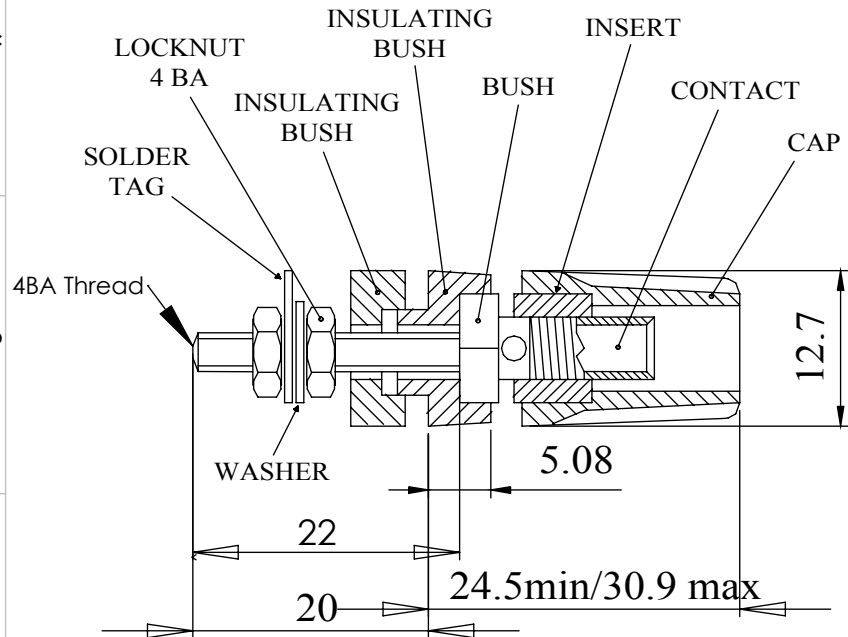


Insulated terminal binding post with a 4mm socket. Panel insulating bushes have a location keyway, maximum panel thickness 12,7mm. Threaded termination supplied with solder tag washer. Thread size 4BA (3.6mm or 0.141 inch)

## Dimensions



PANEL CUT-OUT

## MATERIAL

CAP : Acetal  
 CONTACT : Brass, bright nickel plate  
 INSERT : Brass, bright nickel plate  
 BUSH : Brass, bright nickel plate  
 INSULATING BUSHES : Acetal  
 LOCKNUT : Brass, bright nickel plate  
 WASHER : Brass, bright nickel plate

SOLDER TAG : Brass, silver plate

Current Rating : 16 Amps  
 Rated Voltage : 50V

COLOUR	ORDER CODE
BLACK	552-0100
BLUE	552-0200
BROWN	552-0300
GREEN	552-0400
RED	552-0500
WHITE	552-0600
YELLOW	552-0700

Tel No. +44(0)1724 273200 Website www.dem-uk.com



**PROPRIETARY AND CONFIDENTIAL**  
 THE INFORMATION CONTAINED IN THIS DRAWING IS THE SOLE PROPERTY OF ALPHA 3 MANUFACTURING.  
 ANY REPRODUCTION IN PART OR AS A WHOLE WITHOUT THE WRITTEN PERMISSION OF ALPHA 3 MANUFACTURING IS PROHIBITED.

**DEM** DEM Manufacturing, Deltron Emcon House  
 Hargreaves Way, Sawcliffe Ind. Park,  
 Scunthorpe, North Lincolnshire, DN15 8RF, UK

UNLESS OTHERWISE SPECIFIED:  
 DIMENSIONS ARE IN MILLIMETRES  
 LINEAR TOLERANCE:  
**NO DECIMAL PLACES ±0.5mm**  
**1 DECIMAL PLACE ±0.25mm**  
**2 DECIMAL PLACES ±0.125mm**  
 ANGULAR TOLERANCE: ±1°

FINISH INSULATED TERMINAL  
 DEBURR AND BREAK SHARP EDGES  
 IF IN DOUBT ASK  
 DO NOT SCALE DRAWING  
 MATERIAL SEE NOTE

DRAWN BY SPB  
 APPROVED BY WC  
 THIRD ANGLE PROJECTION

SHEET 1 OF 1  
 SCALE 1:1  
 A4

TITLE GENERAL SPECIFICATION  
 FOR 552 SERIES  
 DRAWING NO. 552 SERIES  
 ISSUE 07  
 Release