

ABSOLUTE MAXIMUM RATINGS

(Note 1)

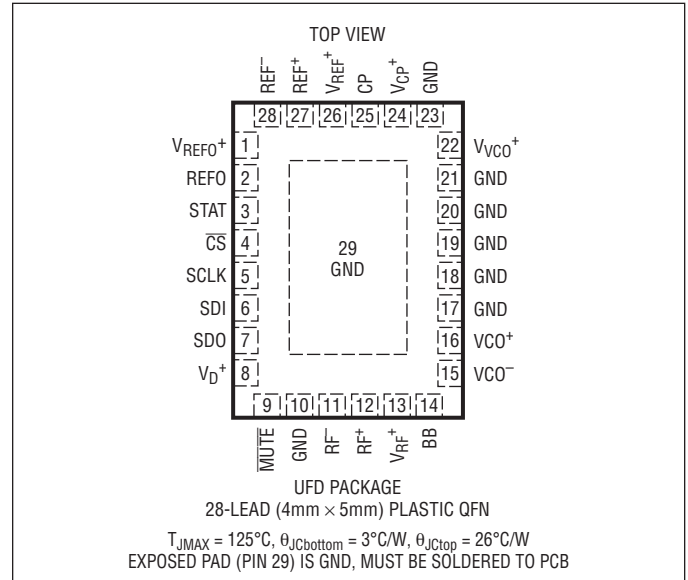
Supply Voltages

- V^+ (V_{REF^+} , V_{REFO^+} , V_{RF^+} , V_{VCO^+} , V_D^+) to GND 3.6V
- V_{CP^+} to GND 5.5V
- Voltage on CP Pin GND – 0.3V to $V_{CP^+} + 0.3V$
- Voltage on All Other Pins GND – 0.3V to $V^+ + 0.3V$

Operating Junction Temperature Range, T_J (Note 2)

- LTC6945I –40°C to 105°C
- Junction Temperature, T_{JMAX} 125°C
- Storage Temperature Range –65°C to 150°C

PIN CONFIGURATION



ORDER INFORMATION

LEAD FREE FINISH	TAPE AND REEL	PART MARKING	PACKAGE DESCRIPTION	JUNCTION TEMPERATURE RANGE
LTC6945IUFD#PBF	LTC6945IUFD#TRPBF	6945	28-Lead (4mm x 5mm) Plastic QFN	–40°C to 105°C

Consult LTC Marketing for parts specified with wider operating temperature ranges.

Consult LTC Marketing for information on non-standard lead based finish parts.

For more information on lead free part marking, go to: <http://www.linear.com/leadfree/>

For more information on tape and reel specifications, go to: <http://www.linear.com/tapeandreeel/>

ELECTRICAL CHARACTERISTICS

The ● denotes the specifications which apply over the full operating junction temperature range, otherwise specifications are at $T_A = 25^{\circ}C$. $V_{REF^+} = V_{REFO^+} = V_D^+ = V_{RF^+} = V_{VCO^+} = 3.3V$, $V_{CP^+} = 5V$ unless otherwise specified. All voltages are with respect to GND.

SYMBOL	PARAMETER	CONDITIONS	MIN	TYP	MAX	UNITS	
Reference Inputs (REF⁺, REF⁻)							
f_{REF}	Input Frequency		●	10	250	MHz	
V_{REF}	Input Signal Level	Single-Ended, 1 μ F AC-Coupling Capacitors	●	0.5	2	2.7	V_{P-P}
	Input Slew Rate		●	20		V/ μ s	
	Input Duty Cycle			50		%	
	Self-Bias Voltage		●	1.65	1.85	2.25	V
	Input Resistance	Differential	●	6.2	8.4	11.6	k Ω
	Input Capacitance	Differential			3	pF	
Reference Output (REFO)							
f_{REFO}	Output Frequency		●	10	250	MHz	
P_{REFO}	Output Power	$f_{REFO} = 10MHz$, $R_{LOAD} = 50\Omega$	●	–0.2	3.2	dBm	
	Output Impedance, Disabled			800		Ω	

6945fa

ELECTRICAL CHARACTERISTICS The ● denotes the specifications which apply over the full operating junction temperature range, otherwise specifications are at $T_A = 25^\circ\text{C}$. $V_{\text{REF}^+} = V_{\text{REF0}^+} = V_{\text{D}^+} = V_{\text{RF}^+} = V_{\text{VCO}^+} = 3.3\text{V}$, $V_{\text{CP}^+} = 5\text{V}$ unless otherwise specified. All voltages are with respect to GND.

SYMBOL	PARAMETER	CONDITIONS	MIN	TYP	MAX	UNITS	
VCO Input (VCO⁺, VCO⁻)							
f_{VCO}	Input Frequency		●	350	6000	MHz	
P_{VCOI}	Input Power Level	$R_Z = 50\Omega$, Single-Ended	●	-8	0	6	dBm
	Input Resistance	Single-Ended, Each Input	●	97	121	145	Ω
RF Output (RF⁺, RF⁻)							
f_{RF}	Output Frequency		●	350	6000	MHz	
O	Output Divider Range	All Integers Included	●	1	6		
	Output Duty Cycle			50		%	
	Output Resistance	Single-Ended, Each Output to V_{RF^+}	●	111	136	159	Ω
	Output Common Mode Voltage		●	2.4	V_{RF^+}	V	
$P_{\text{RF(SE)}}$	Output Power, Single-Ended, $f_{\text{RF}} = 900\text{MHz}$	RF0[1:0] = 0, $R_Z = 50\Omega$, LC Match	●	-9.7	-6.0	dBm	
		RF0[1:0] = 1, $R_Z = 50\Omega$, LC Match	●	-6.8	-3.6	dBm	
		RF0[1:0] = 2, $R_Z = 50\Omega$, LC Match	●	-3.9	-0.4	dBm	
		RF0[1:0] = 3, $R_Z = 50\Omega$, LC Match	●	-1.2	2.3	dBm	
	Output Power, Muted	$R_Z = 50\Omega$, Single-Ended, $f_{\text{RF}} = 900\text{MHz}$, O = 2 to 6	●		-60	dBm	
	Mute Enable Time		●		110	ns	
	Mute Disable Time		●		170	ns	
Phase/Frequency Detector							
f_{PFD}	Input Frequency		●		100	MHz	
Lock Indicator, Available on the STAT Pin and via the SPI-Accessible Status Register							
t_{LWW}	Lock Window Width	LKWIN[1:0] = 0			3.0	ns	
		LKWIN[1:0] = 1			10.0	ns	
		LKWIN[1:0] = 2			30.0	ns	
		LKWIN[1:0] = 3			90.0	ns	
t_{LWHYS}	Lock Window Hysteresis	Increase in t_{LWW} Moving from Locked State to Unlocked State			22	%	
Charge Pump							
I_{CP}	Output Current Range	12 Settings (See Table 5)		0.25	11.2	mA	
	Output Current Source/Sink Accuracy	$V_{\text{CP}} = V_{\text{CP}^+}/2$, All Settings			± 6	%	
	Output Current Source/Sink Matching	$I_{\text{CP}} = 250\mu\text{A}$ to 1.4mA , $V_{\text{CP}} = V_{\text{CP}^+}/2$ $I_{\text{CP}} = 2\text{mA}$ to 11.2mA , $V_{\text{CP}} = V_{\text{CP}^+}/2$			± 3.5	%	
					± 2	%	
	Output Current vs Output Voltage Sensitivity	(Note 3)	●	0.1	1.0	%/V	
	Output Current vs Temperature	$V_{\text{CP}} = V_{\text{CP}^+}/2$	●	170		ppm/ $^\circ\text{C}$	
	Output Hi-Z Leakage Current	$I_{\text{CP}} = 700\mu\text{A}$, CPCL0 = CPCHI = 0 (Note 3) $I_{\text{CP}} = 11.2\text{mA}$, CPCL0 = CPCHI = 0 (Note 3)		0.5		nA	
				5		nA	
$V_{\text{CLMP(LO)}}$	Low Clamp Voltage	CPCL0 = 1		0.84		V	
$V_{\text{CLMP(HI)}}$	High Clamp Voltage	CPCHI = 1, Referred to V_{CP^+}		-0.96		V	
V_{MID}	Mid-Supply Output Bias Ratio	Referred to $(V_{\text{CP}^+} - \text{GND})$		0.48		V/V	
Reference (R) Divider							
R	Divide Range	All Integers Included	●	1	1023	Counts	

ELECTRICAL CHARACTERISTICS The ● denotes the specifications which apply over the full operating junction temperature range, otherwise specifications are at $T_A = 25^\circ\text{C}$. $V_{\text{REF}}^+ = V_{\text{REFO}}^+ = V_D^+ = V_{\text{RF}}^+ = V_{\text{VCO}}^+ = 3.3\text{V}$, $V_{\text{CP}}^+ = 5\text{V}$ unless otherwise specified. All voltages are with respect to GND.

SYMBOL	PARAMETER	CONDITIONS	MIN	TYP	MAX	UNITS	
VCO (N) Divider							
N	Divide Range	All Integers Included	●	32	65535	Counts	
Digital Pin Specifications							
V_{IH}	High Level Input Voltage	MUTE, $\overline{\text{CS}}$, SDI, SCLK	●	1.55		V	
V_{IL}	Low Level Input Voltage	$\overline{\text{MUTE}}$, $\overline{\text{CS}}$, SDI, SCLK	●		0.8	V	
V_{IHYS}	Input Voltage Hysteresis	$\overline{\text{MUTE}}$, $\overline{\text{CS}}$, SDI, SCLK		250		mV	
	Input Current	$\overline{\text{MUTE}}$, $\overline{\text{CS}}$, SDI, SCLK	●		± 1	μA	
I_{OH}	High Level Output Current	SDO and STAT, $V_{\text{OH}} = V_D^+ - 400\text{mV}$	●	-2.3	-1.4	mA	
I_{OL}	Low Level Output Current	SDO and STAT, $V_{\text{OL}} = 400\text{mV}$	●	1.8	3.4	mA	
	SDO Hi-Z Current		●		± 1	μA	
Digital Timing Specifications (See Figures 8 and 9)							
t_{CKH}	SCLK High Time		●	25		ns	
t_{CKL}	SCLK Low Time		●	25		ns	
t_{CSS}	$\overline{\text{CS}}$ Setup Time		●	10		ns	
t_{CSH}	$\overline{\text{CS}}$ High Time		●	10		ns	
t_{CS}	SDI to SCLK Setup Time		●	6		ns	
t_{CH}	SDI to SCLK Hold Time		●	6		ns	
t_{DO}	SCLK to SDO Time	To $V_{\text{IH}}/V_{\text{IL}}/\text{Hi-Z}$ with 30pF Load	●		16	ns	
Power Supply Voltages							
	V_{REF}^+ Supply Range		●	3.15	3.3	3.45	V
	V_{REFO}^+ Supply Range		●	3.15	3.3	3.45	V
	V_D^+ Supply Range		●	3.15	3.3	3.45	V
	V_{RF}^+ Supply Range		●	3.15	3.3	3.45	V
	V_{VCO}^+ Supply Range		●	3.15	3.3	3.45	V
	V_{CP}^+ Supply Range		●	3.15		5.25	V
Power Supply Currents							
I_{DD}	V_D^+ Supply Current	Digital Inputs at Supply Levels	●		500	μA	
$I_{\text{CC(CP)}}$	V_{CP}^+ Supply Current	$I_{\text{CP}} = 11.2\text{mA}$	●	34	39	mA	
		$I_{\text{CP}} = 1.0\text{mA}$	●	12	14.5	mA	
		PDALL = 1	●	235	385	μA	
$I_{\text{CC(REFO)}}$	V_{REFO}^+ Supply Currents	REFO Enabled, $R_Z = \infty$	●	7.8	9.0	mA	
I_{CC}	Sum V_{REF}^+ , V_{RF}^+ , V_{VCO}^+ Supply Currents	RF Muted, OD[2:0] = 1	●	70	78	mA	
		RF Enabled, RFO[1:0] = 0, OD[2:0] = 1	●	79	88	mA	
		RF Enabled, RFO[1:0] = 3, OD[2:0] = 1	●	88	98	mA	
		RF Enabled, RFO[1:0] = 3, OD[2:0] = 2	●	105	117	mA	
		RF Enabled, RFO[1:0] = 3, OD[2:0] = 3	●	111	124	mA	
		RF Enabled, RFO[1:0] = 3, OD[2:0] = 4 to 6	●	116	128	mA	
		PDALL = 1	●	202	396	μA	

ELECTRICAL CHARACTERISTICS The ● denotes the specifications which apply over the full operating junction temperature range, otherwise specifications are at $T_A = 25^\circ\text{C}$. $V_{REF+} = V_{REF0+} = V_D+ = V_{RF+} = V_{VCO+} = 3.3\text{V}$, $V_{CP+} = 5\text{V}$ unless otherwise specified. All voltages are with respect to GND.

SYMBOL	PARAMETER	CONDITIONS	MIN	TYP	MAX	UNITS
Phase Noise and Spurious						
$L_{M(MIN)}$	Output Phase Noise Floor (Note 5)	RFO[1:0] = 3, OD[2:0] = 1, $f_{RF} = 6\text{GHz}$		-155		dBc/Hz
		RFO[1:0] = 3, OD[2:0] = 2, $f_{RF} = 3\text{GHz}$		-155		dBc/Hz
		RFO[1:0] = 3, OD[2:0] = 3, $f_{RF} = 2\text{GHz}$		-156		dBc/Hz
		RFO[1:0] = 3, OD[2:0] = 4, $f_{RF} = 1.5\text{GHz}$		-156		dBc/Hz
		RFO[1:0] = 3, OD[2:0] = 5, $f_{RF} = 1.2\text{GHz}$		-157		dBc/Hz
		RFO[1:0] = 3, OD[2:0] = 6, $f_{RF} = 1.0\text{GHz}$		-158		dBc/Hz
$L_{M(NORM)}$	Normalized In-Band Phase Noise Floor	$I_{CP} = 11.2\text{mA}$ (Notes 6, 7, 8)		-226		dBc/Hz
$L_{M(NORM-1/f)}$	Normalized In-Band 1/f Phase Noise	$I_{CP} = 11.2\text{mA}$ (Notes 6, 9)		-274		dBc/Hz
$L_{M(IB)}$	In-Band Phase Noise Floor	(Notes 6, 7, 8, 10)		-99		dBc/Hz
	Integrated Phase Noise from 100Hz to 40MHz	(Notes 4, 7, 10)		0.13		°RMS
	Spurious	Reference Spur, PLL locked (Notes 4, 7, 10, 11)		-102		dBc

Note 1: Stresses beyond those listed under Absolute Maximum Ratings may cause permanent damage to the device. Exposure to any Absolute Maximum Rating condition for extended periods may affect device reliability and lifetime.

Note 2: The LTC6945I is guaranteed to meet specified performance limits over the full operating junction temperature range of -40°C to 105°C . Under maximum operating conditions, air flow or heat sinking may be required to maintain a junction temperature of 105°C or lower. It is strongly recommended that the exposed pad (Pin 29) be soldered directly to the ground plane with an array of thermal vias as described in the Applications Information section.

Note 3: For $0.9\text{V} \leq V_{CP} \leq (V_{CP+} - 0.9\text{V})$.

Note 4: VCO is Crystek CVCO55CL-0902-0928.

Note 5: $f_{VCO} = 6\text{GHz}$, $f_{OFFSET} = 40\text{MHz}$.

Note 6: Measured inside the loop bandwidth with the loop locked.

Note 7: Reference frequency supplied by Wenzel 501-04608A, $f_{REF} = 10\text{MHz}$, $P_{REF} = 13\text{dBm}$.

Note 8: Output phase noise floor is calculated from normalized phase noise floor by $L_{M(OUT)} = -226 + 10\log_{10}(f_{PFD}) + 20\log_{10}(f_{RF}/f_{PFD})$.

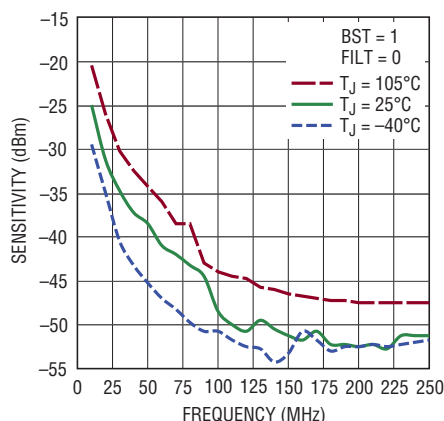
Note 9: Output 1/f phase noise is calculated from normalized 1/f phase noise by $L_{M(OUT-1/f)} = -274 + 20\log_{10}(f_{RF}) - 10\log_{10}(f_{OFFSET})$.

Note 10: $I_{CP} = 11.2\text{mA}$, $f_{PFD} = 250\text{kHz}$, $f_{RF} = 914\text{MHz}$, $FILT[1:0] = 3$, Loop BW = 7kHz.

Note 11: Measured using DC1649.

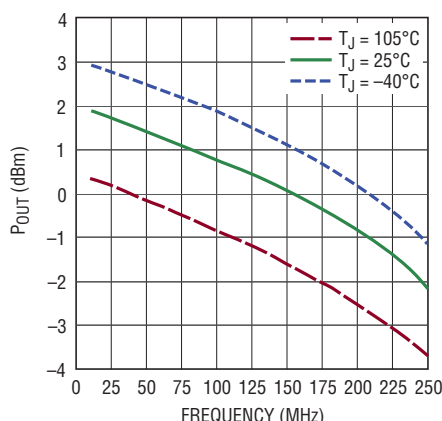
TYPICAL PERFORMANCE CHARACTERISTICS

REF Input Sensitivity vs Frequency



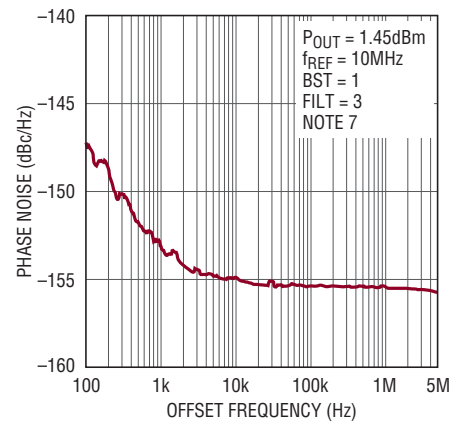
6945 G01

REFO Output Power vs Frequency



6945 G02

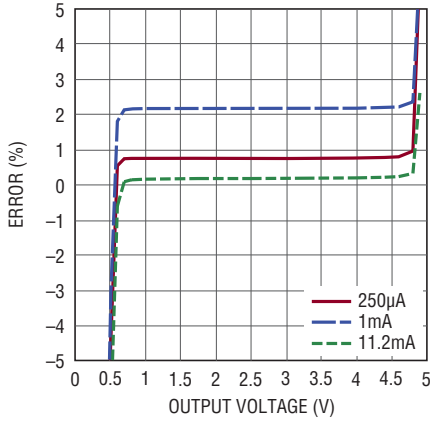
REFO Phase Noise



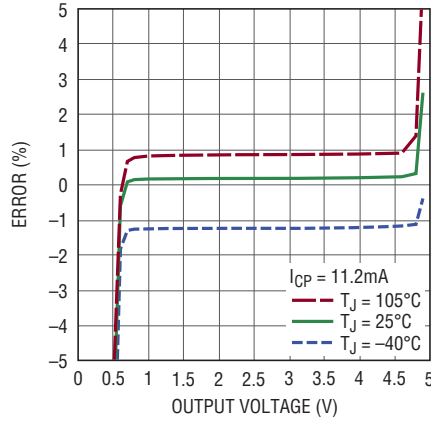
6945 G03

TYPICAL PERFORMANCE CHARACTERISTICS

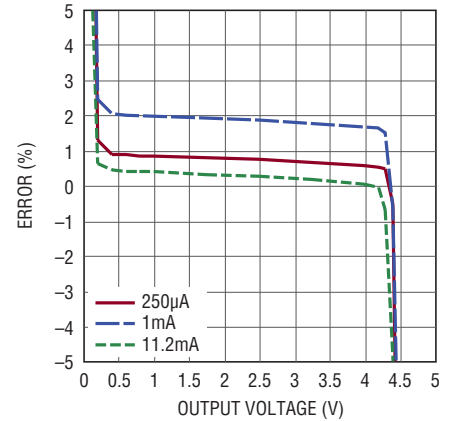
Charge Pump Sink Current Error vs Voltage, Output Current



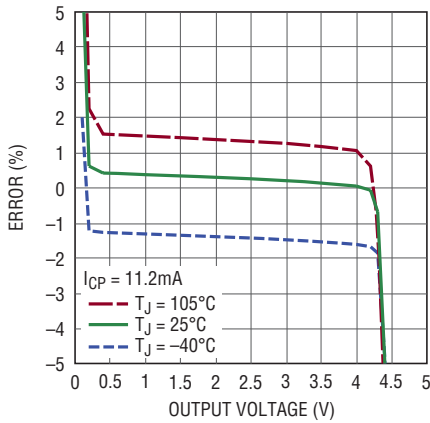
Charge Pump Sink Current Error vs Voltage, Temperature



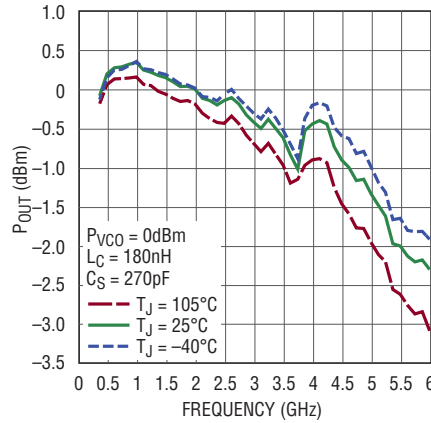
Charge Pump Source Current Error vs Voltage, Output Current



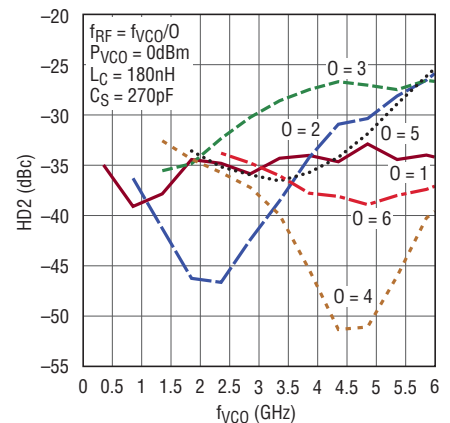
Charge Pump Source Current Error vs Voltage, Temperature



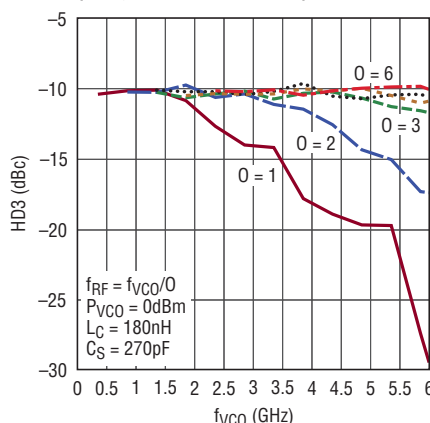
RF Output Power vs Frequency (Single-Ended On RF⁻)



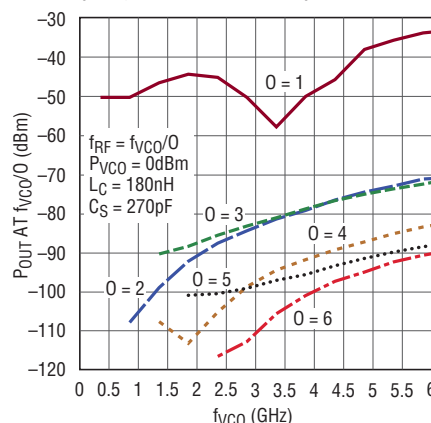
RF Output HD2 vs Output Divide (Single-Ended On RF⁻)



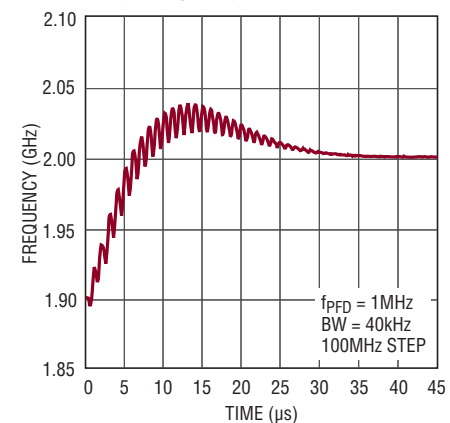
RF Output HD3 vs Output Divide (Single-Ended On RF⁻)



MUTE Output Power vs fVCO and Output Divide (Single-Ended On RF⁻)

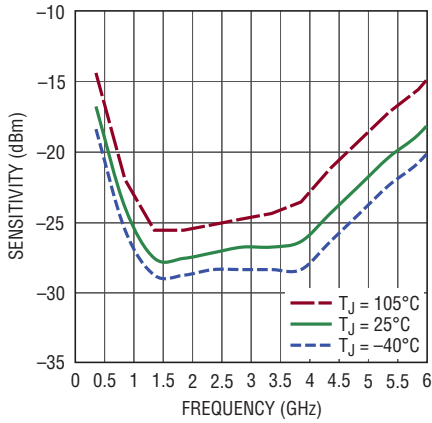


Frequency Step Transient



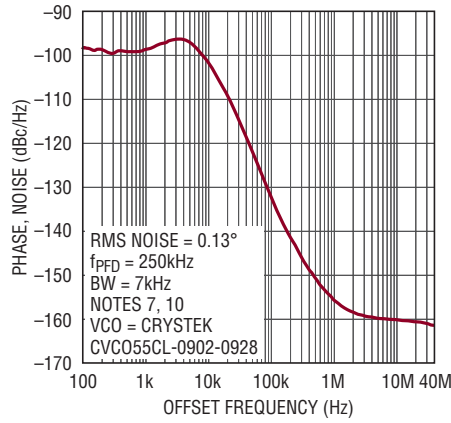
TYPICAL PERFORMANCE CHARACTERISTICS

VCO Input Sensitivity vs Frequency, Temperature



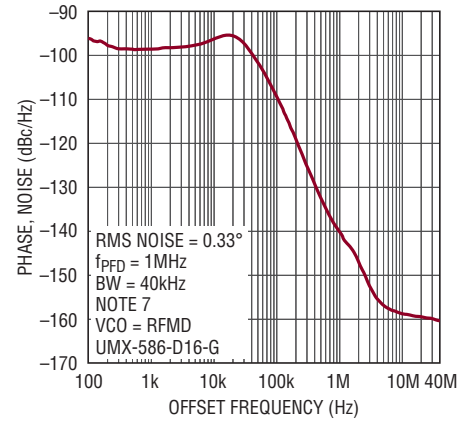
6945 G13

Closed-Loop Phase Noise, $f_{RF} = 914\text{MHz}$



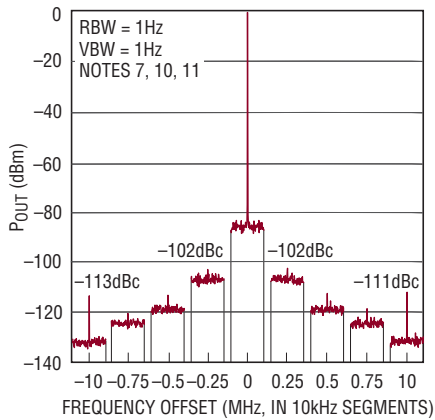
6945 G14

Closed-Loop Phase Noise, $f_{RF} = 2100\text{MHz}$



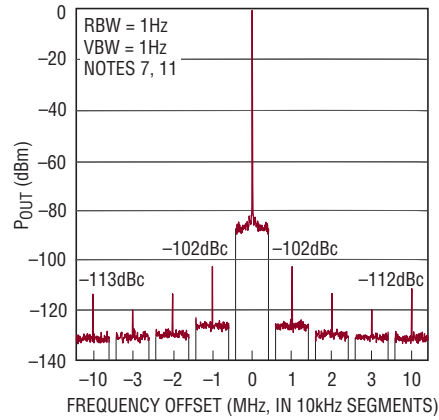
6945 G15

Spurious Response $f_{RF} = 914\text{MHz}$, $f_{REF} = 10\text{MHz}$, $f_{PFD} = 250\text{kHz}$, Loop BW = 7kHz



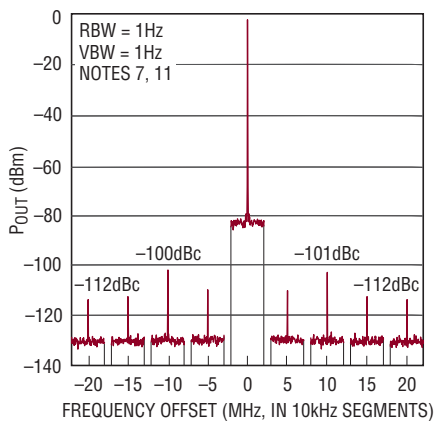
6945 G16

Spurious Response $f_{RF} = 2100\text{MHz}$, $f_{REF} = 10\text{MHz}$, $f_{PFD} = 1\text{MHz}$, Loop BW = 40kHz



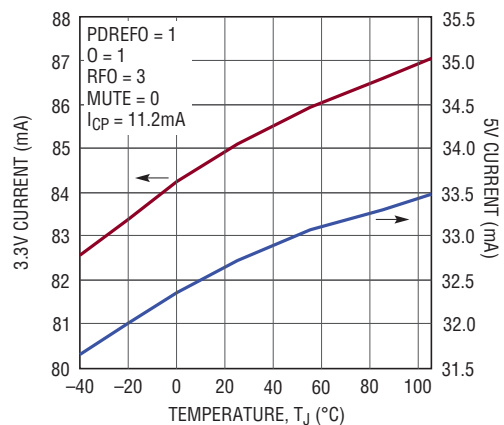
6945 G17

Spurious Response $f_{RF} = 5725\text{MHz}$, $f_{REF} = 10\text{MHz}$, $f_{PFD} = 5\text{MHz}$, Loop BW = 21kHz



6945 G18

Supply Current vs Temperature



6945 G19

PIN FUNCTIONS

V_{REFO}⁺ (Pin 1): 3.15V to 3.45V Positive Supply Pin for REFO Circuitry. This pin should be bypassed directly to the ground plane using a 0.1μF ceramic capacitor as close to the pin as possible.

REFO (Pin 2): Reference Frequency Output. This produces a low noise square wave, buffered from the REF[±] differential inputs. The output is self-biased and must be AC-coupled with a 22nF capacitor.

STAT (Pin 3): Status Output. This signal is a configurable logical OR combination of the UNLOCK, LOCK, THI and TLO status bits, programmable via the STATUS register. See the Operations section for more details.

$\overline{\text{CS}}$ (Pin 4): Serial Port Chip Select. This CMOS input initiates a serial port communication burst when driven low, ending the burst when driven back high. See the Operations section for more details.

SCLK (Pin 5): Serial Port Clock. This CMOS input clocks serial port input data on its rising edge. See the Operations section for more details.

SDI (Pin 6): Serial Port Data Input. The serial port uses this CMOS input for data. See the Operations section for more details.

SDO (Pin 7): Serial Port Data Output. This CMOS three-state output presents data from the serial port during a read communication burst. Optionally attach a resistor of >200k to GND to prevent a floating output. See the Operations section for more details.

V_D⁺ (Pin 8): 3.15V to 3.45V Positive Supply Pin for Serial Port Circuitry. This pin should be bypassed directly to the ground plane using a 0.1μF ceramic capacitor as close to the pin as possible.

$\overline{\text{MUTE}}$ (Pin 9): RF Mute. The CMOS active-low input mutes the RF[±] differential outputs while maintaining internal bias levels for quick response to de-assertion.

GND (Pins 10, 17, 18, 19, 20, 21): Negative Power Supply (Ground). These pins should be tied directly to the ground plane with multiple vias for each pin.

RF⁻, RF⁺ (Pins 11, 12): RF Output Signals. The VCO output divider is buffered and presented differentially on these pins. The outputs are open collector, with 136Ω (typical) pull-up resistors tied to V_{RF}⁺ to aid impedance matching. If used single-ended, the unused output should be terminated to 50Ω. See the Applications Information section for more details on impedance matching.

V_{RF}⁺ (Pin 13): 3.15V to 3.45V Positive Supply Pin for RF Circuitry. This pin should be bypassed directly to the ground plane using a 0.01μF ceramic capacitor as close to the pin as possible.

BB (Pin 14): RF Reference Bypass. This output must be bypassed with a 1.0μF ceramic capacitor to GND. Do not couple this pin to any other signal.

VCO⁻, VCO⁺ (Pins 15, 16): VCO Input Signals. The differential signal placed on these pins is buffered with a low noise amplifier and fed to the internal output and feedback dividers. These self-biased inputs must be AC-coupled and present a single-ended 121Ω (typical) resistance to aid impedance matching. They may be used single-ended by bypassing VCO⁻ to GND with a capacitor. See the Applications Information section for more details on impedance matching.

V_{VCO}⁺ (Pin 22): 3.15V to 3.45V Positive Supply Pin for VCO Circuitry. This pin should be bypassed directly to the ground plane using a 0.01μF ceramic capacitor as close to the pin as possible.

GND (23): Negative Power Supply (Ground). This pin is attached directly to the die attach paddle (DAP) and should be tied directly to the ground plane.

V_{CP}⁺ (Pin 24): 3.15V to 5.25V Positive Supply Pin for Charge Pump Circuitry. This pin should be bypassed directly to the ground plane using a 0.1μF ceramic capacitor as close to the pin as possible.

CP (Pin 25): Charge Pump Output. This bi-directional current output is normally connected to the external loop filter. See the Applications Information section for more details.

PIN FUNCTIONS

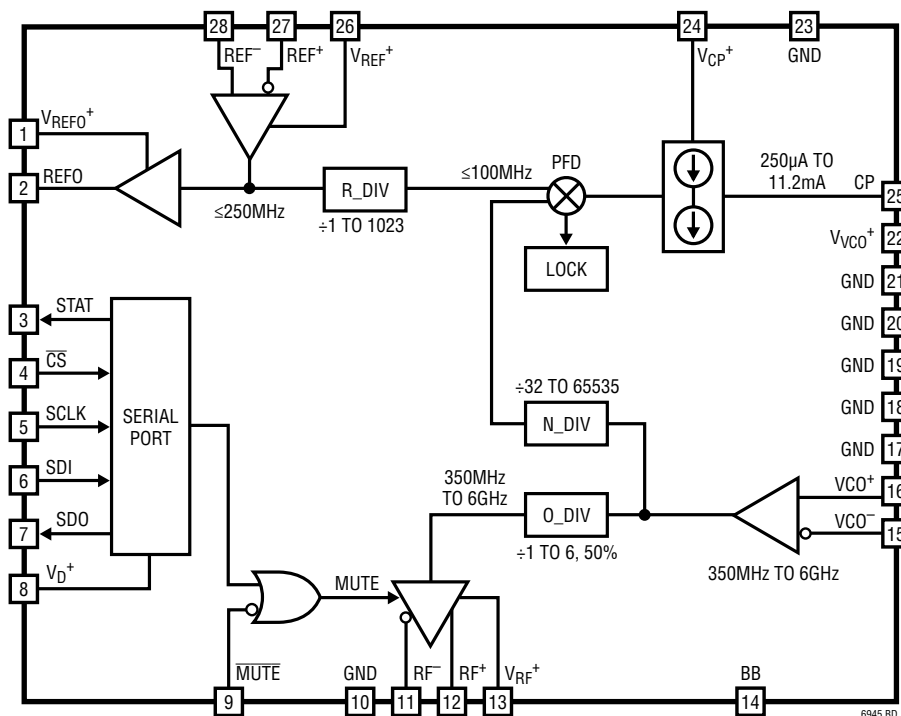
V_{REF}⁺ (Pin 26): 3.15V to 3.45V Positive Supply Pin for Reference Input Circuitry. This pin should be bypassed directly to the ground plane using a 0.1μF ceramic capacitor as close to the pin as possible.

REF⁺, REF⁻ (Pins 27, 28): Reference Input Signals. This differential input is buffered with a low noise amplifier, which feeds the reference divider and reference buffer. They are self-biased and must be AC-coupled with 1μF

capacitors. If used single-ended, bypass REF⁻ to GND with a 1μF capacitor. If the single-ended signal is greater than 2.7V_{p-p}, bypass REF⁻ to GND with a 47pF capacitor.

GND (Exposed Pad Pin 29): Negative Power Supply (Ground). The package exposed pad must be soldered directly to the PCB land. The PCB land pattern should have multiple thermal vias to the ground plane for both low ground inductance and also low thermal resistance.

BLOCK DIAGRAM



OPERATION

The LTC6945 is a high performance PLL, and, combined with an external high performance VCO, can produce low noise LO signals up to 6GHz. It is able to achieve superior integrated phase noise performance due to its extremely low in-band phase noise performance.

REFERENCE INPUT BUFFER

The PLL's reference frequency is applied differentially on pins REF⁺ and REF⁻. These high impedance inputs are self-biased and must be AC-coupled with 1 μ F capacitors (see Figure 1 for a simplified schematic). Alternatively, the inputs may be used single-ended by applying the reference frequency at REF⁺ and bypassing REF⁻ to GND with a 1 μ F capacitor. If the single-ended signal is greater than 2.7V_{P-P}, then use a 47pF capacitor for the GND bypass.

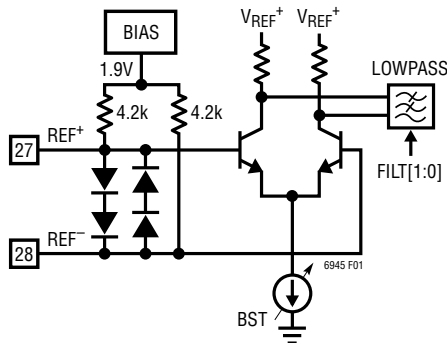


Figure 1. Simplified REF Interface Schematic

A high quality signal must be applied to the REF[±] inputs as they provide the frequency reference to the entire PLL. To achieve the part's in-band phase noise performance, apply a CW signal of at least 6dBm into 50 Ω , or a square wave of at least 0.5V_{P-P} with slew rate of at least 40V/ μ s.

Additional options are available through serial port register h08 to further refine the application. Bits FILTER[1:0] control the reference input buffer's lowpass filter, and should be set based upon f_{REF} to limit the reference's wideband noise. The FILTER[1:0] bits must be set correctly to reach the $L_{M(NORM)}$ normalized in-band phase noise floor. See Table 1 for recommended settings.

The BST bit should be set based upon the input signal level to prevent the reference input buffer from saturating. See Table 2 for recommended settings and the Applications Information section for programming examples.

Table 1. FILTER[1:0] Programming

FILTER[1:0]	f_{REF}
3	<20MHz
2	NA
1	20MHz to 50MHz
0	>50MHz

Table 2. BST Programming

BST	V_{REF}
1	<2.0V _{P-P}
0	\geq 2.0V _{P-P}

REFERENCE OUTPUT BUFFER

The reference output buffer produces a low noise square wave with a noise floor of -155dBc/Hz (typical) at 10MHz. Its output is low impedance, and produces 2dBm typical output power into a 50 Ω load at 10MHz. Larger output swings will result if driving larger impedances. The output is self-biased, and must be AC-coupled with a 22nF capacitor (see Figure 2 for a simplified schematic). The buffer may be powered down by using bit PDREFO found in the serial port Power register h02.

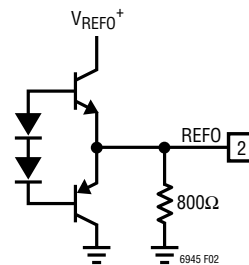


Figure 2. Simplified REFO Interface Schematic

REFERENCE (R) DIVIDER

A 10-bit divider, R_DIV, is used to reduce the frequency seen at the PFD. Its divide ratio R may be set to any integer from 1 to 1023, inclusive. Use the RD[9:0] bits found in registers h03 and h04 to directly program the R divide ratio. See the Applications Information section for the relationship between R and the f_{REF} , f_{PFD} , f_{VCO} and f_{RF} frequencies.

OPERATION

PHASE/FREQUENCY DETECTOR (PFD)

The phase/frequency detector (PFD), in conjunction with the charge pump, produces source and sink current pulses proportional to the phase difference between the outputs of the R and N dividers. This action provides the necessary feedback to phase-lock the loop, forcing a phase alignment at the PFD's inputs. The PFD may be disabled with the CPRST bit which prevents UP and DOWN pulses from being produced. See Figure 3 for a simplified schematic of the PFD.

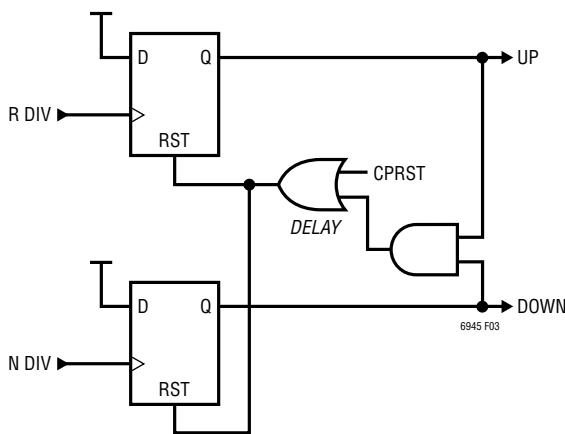


Figure 3. Simplified PFD Schematic

LOCK INDICATOR

The lock indicator uses internal signals from the PFD to measure phase coincidence between the R and N divider output signals. It is enabled by setting the LKEN bit in the serial port register h07, and produces both LOCK and UNLOCK status flags, available through both the STAT output and serial port register h00.

The user sets the phase difference lock window time, t_{LWW} , for a valid LOCK condition with the LKWIN[1:0] bits. See Table 3 for recommended settings for different f_{PFD} frequencies and the Applications Information section for examples.

Table 3. LKWIN[1:0] Programming

LKWIN[1:0]	t_{LWW}	f_{PFD}
0	3ns	>5MHz
1	10ns	≤ 5 MHz
2	30ns	≤ 1.7 MHz
3	90ns	≤ 550 kHz

The PFD phase difference must be less than t_{LWW} for the COUNTS number of successive counts before the lock indicator asserts the LOCK flag. The LKCT[1:0] bits found in register h09 are used to set COUNTS depending upon the application. See Table 4 for LKCT[1:0] programming and the Applications Information section for examples.

Table 4. LKCT[1:0] Programming

LKCT[1:0]	COUNTS
0	32
1	128
2	512
3	2048

When the PFD phase difference is greater than t_{LWW} , the lock indicator immediately asserts the UNLOCK status flag and clears the LOCK flag, indicating an out-of-lock condition. The UNLOCK flag is immediately de-asserted when the phase difference is less than t_{LWW} . See Figure 4 for more details.

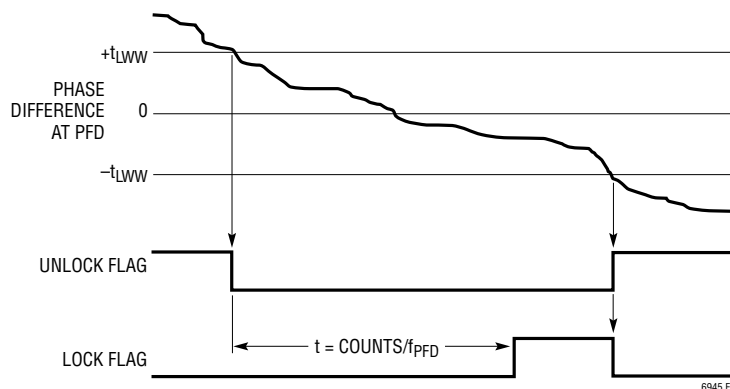


Figure 4. UNLOCK and LOCK Timing

OPERATION

CHARGE PUMP

The charge pump, controlled by the PFD, forces sink (DOWN) or source (UP) current pulses onto the CP pin, which should be connected to an appropriate loop filter. See Figure 5 for a simplified schematic of the charge pump.

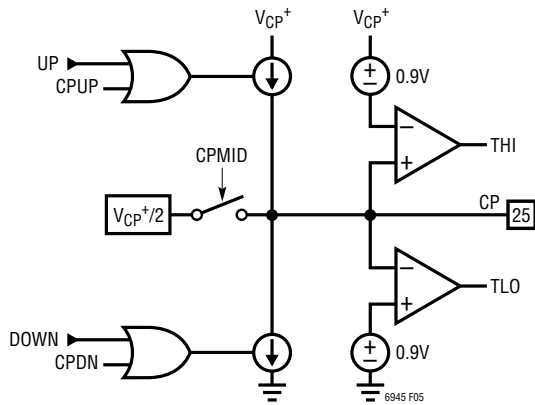


Figure 5. Simplified Charge Pump Schematic

The output current magnitude I_{CP} may be set from 250 μ A to 11.2mA using the CP[3:0] bits found in serial port register h09. A larger I_{CP} can result in lower in-band noise due to the lower impedance of the loop filter components. See Table 5 for programming specifics and the Applications Information section for loop filter examples.

Table 5. CP[3:0] Programming

CP[3:0]	I_{CP}
0	250 μ A
1	350 μ A
2	500 μ A
3	700 μ A
4	1.0mA
5	1.4mA
6	2.0mA
7	2.8mA
8	4.0mA
9	5.6mA
10	8.0mA
11	11.2mA
12 to 15	Invalid

The CPINV bit found in register h0A should be set for applications requiring signal inversion from the PFD, such

as for loops using negative-slope tuning oscillators, or inverting op amps in conjunction with positive-slope tuning oscillators. A passive loop filter as shown in Figure 15, used in conjunction with a positive-slope VCO, requires CPINV = 0.

CHARGE PUMP FUNCTIONS

The charge pump contains additional features to aid in system start-up and monitoring. See Table 6 for a summary.

Table 6. CP Function Bit Descriptions

BIT	DESCRIPTION
CPCHI	Enable High Voltage Output Clamp
CPCLO	Enable Low Voltage Output Clamp
CPDN	Force Sink Current
CPINV	Invert PFD Phase
CPMID	Enable Mid-Voltage Bias
CPRST	Reset PFD
CPUP	Force Source Current
CPWIDE	Extend Current Pulse Width
THI	High Voltage Clamp Flag
TLO	Low Voltage Clamp Flag

The CPCHI and CPCLO bits found in register h0A enable the high and low voltage clamps, respectively. When CPCHI is enabled and the CP pin voltage exceeds approximately $V_{CP+} - 0.9V$, the THI status flag is set, and the charge pump sourcing current is disabled. Alternately, when CPCLO is enabled and the CP pin voltage is less than approximately 0.9V, the TLO status flag is set, and the charge pump sinking current is disabled. See Figure 5 for a simplified schematic.

The CPMID bit also found in register h0A enables a resistive $V_{CP+}/2$ output bias which may be used to pre-bias troublesome loop filters into a valid voltage range before attempting to lock the loop. When using CPMID, it is recommended to also assert the CPRST bit, forcing a PFD reset. Both CPMID and CPRST must be set to "0" for normal operation.

The CPUP and CPDN bits force a constant I_{CP} source or sink current, respectively, on the CP pin. The CPRST bit may also be used in conjunction with the CPUP and CPDN

OPERATION

bits, allowing a pre-charge of the loop to a known state, if required. CPUP, CPDN, and CPRST must be set to “0” to allow the loop to lock.

The CPWIDE bit extends the charge pump output current pulse width by increasing the PFD reset path’s delay value (see Figure 3). CPWIDE is normally set to 0.

VCO INPUT BUFFER

The VCO frequency is applied differentially on pins VCO⁺ and VCO⁻. The inputs are self-biased and must be AC-coupled. Alternatively, the inputs may be used single-ended by applying the VCO frequency at VCO⁺ and bypassing VCO⁻ to GND with a capacitor. Each input provides a single-ended

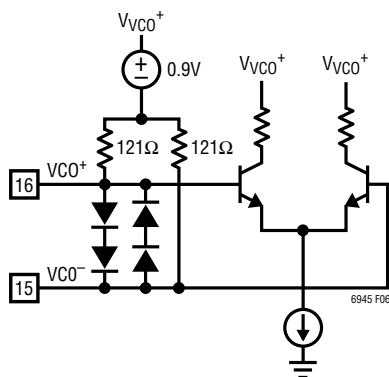


Figure 6. Simplified VCO Interface Schematic

121Ω resistance to aid in impedance matching at high frequencies. See the Applications Information section for matching guidelines.

VCO (N) DIVIDER

The 16-bit N divider provides the feedback from the VCO input buffer to the PFD. Its divide ratio N may be set to any integer from 32 to 65535, inclusive. Use the ND[15:0] bits found in registers h05 and h06 to directly program the N divide ratio. See the Applications Information section for the relationship between N and the f_{REF} , f_{PFD} , f_{VCO} and f_{RF} frequencies.

OUTPUT (O) DIVIDER

The 3-bit O divider can reduce the frequency from the VCO input buffer to the RF output buffer to extend the output frequency range. Its divide ratio O may be set to any integer from 1 to 6, inclusive, outputting a 50% duty cycle even with odd divide values. Use the OD[2:0] bits found in register h08 to directly program the O divide ratio. See the Applications Information section for the relationship between O and the f_{REF} , f_{PFD} , f_{VCO} and f_{RF} frequencies.

RF OUTPUT BUFFER

The low noise, differential output buffer produces a differential output power of -6dBm to 3dBm, settable with bits RFO[1:0] according to Table 7. The outputs may be combined externally, or used individually. Terminate any unused output with a 50Ω resistor to V_{RF}^+ .

Table 7. RFO[1:0] Programming

RFO[1:0]	P _{RF} (Differential)	P _{RF} (Single-Ended)
0	-6dBm	-9dBm
1	-3dBm	-6dBm
2	0dBm	-3dBm
3	3dBm	0dBm

Each output is open collector with 136Ω pull-up resistors to V_{RF}^+ , easing impedance matching at high frequencies. See Figure 7 for circuit details and the Applications Information section for matching guidelines. The buffer may be muted with either the OMUTE bit, found in register h02, or by forcing the \overline{MUTE} input low.

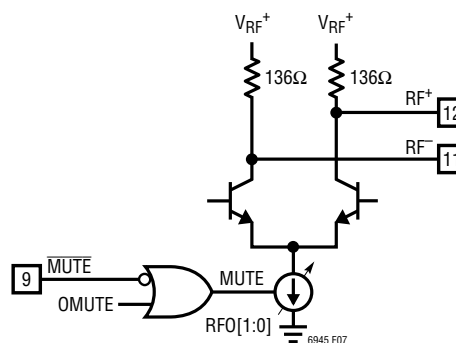


Figure 7. Simplified RF Interface Schematic

OPERATION

SERIAL PORT

The SPI-compatible serial port provides control and monitoring functionality. A configurable status output, STAT, gives additional instant monitoring.

Communication Sequence

The serial bus is comprised of \overline{CS} , SCLK, SDI and SDO. Data transfers to the part are accomplished by the serial bus master device first taking \overline{CS} low to enable the LTC6945's port. Input data applied on SDI is clocked on the rising edge of SCLK, with all transfers MSB first. The communication burst is terminated by the serial bus master returning \overline{CS} high. See Figure 8 for details.

Data is read from the part during a communication burst using SDO. Readback may be multidrop (more than one LTC6945 connected in parallel on the serial bus), as SDO is three-stated (Hi-Z) when $\overline{CS} = 1$, or when data is not being read from the part. *If the LTC6945 is not used in a multidrop configuration, or if the serial port master is not capable of setting the SDO line level between read sequences, it is recommended to attach a high value resistor of greater than 200k between SDO and GND to ensure the line returns to a known level during Hi-Z states. See Figure 9 for details.*

Single Byte Transfers

The serial port is arranged as a simple memory map, with status and control available in 12, byte-wide registers. All data bursts are comprised of at least two bytes. The 7 most significant bits of the first byte are the register address, with an LSB of 1 indicating a read from the part, and LSB of 0 indicating a write to the part. The subsequent byte, or bytes, is data from/to the specified register address. See Figure 10 for an example of a detailed write sequence, and Figure 11 for a read sequence.

Figure 12 shows an example of two write communication bursts. The first byte of the first burst sent from the serial bus master on SDI contains the destination register address (Addr0) and an LSB of "0" indicating a write. The next byte is the data intended for the register at address Addr0. \overline{CS} is then taken high to terminate the transfer. The first byte of the second burst contains the destination register address (Addr1) and an LSB indicating a write. The next byte on SDI is the data intended for the register at address Addr1. \overline{CS} is then taken high to terminate the transfer.

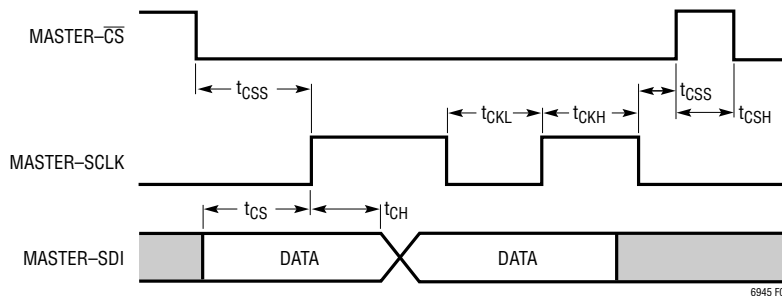


Figure 8. Serial Port Write Timing Diagram

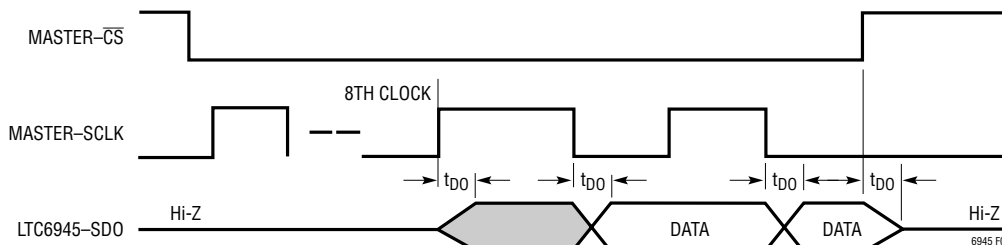


Figure 9. Serial Port Read Timing Diagram

OPERATION

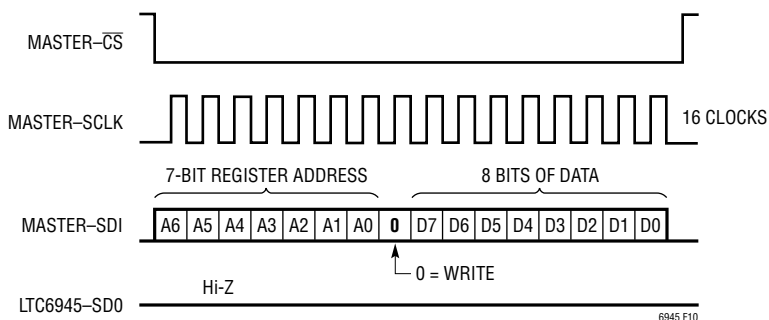


Figure 10. Serial Port Write Sequence

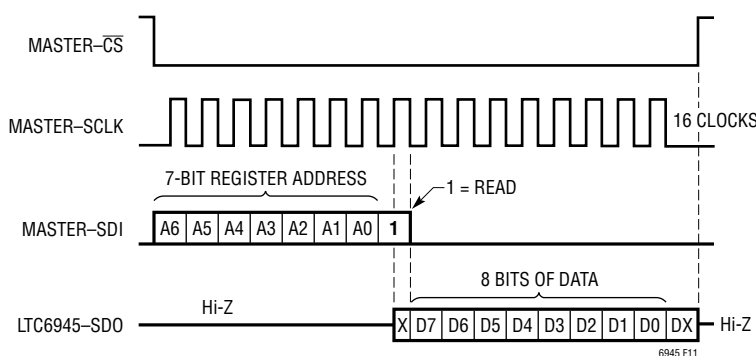


Figure 11. Serial Port Read Sequence

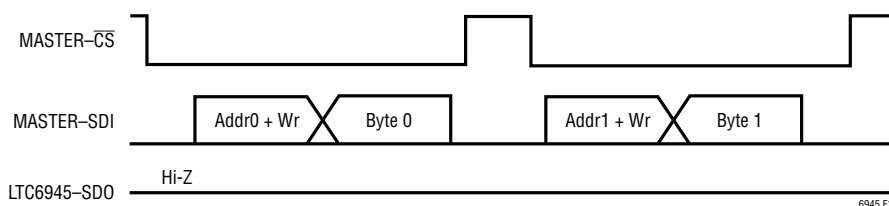


Figure 12. Serial Port Single Byte Write

Multiple Byte Transfers

More efficient data transfer of multiple bytes is accomplished by using the LTC6945's register address auto-increment feature as shown in Figure 13. The serial port master sends the destination register address in the first byte and its data in the second byte as before, but continues sending bytes destined for subsequent registers. Byte 1's address is Addr0+1, Byte 2's address is Addr0+2, and so on. If the register address pointer attempts to increment past 11 (h0B), it is automatically reset to 0.

An example of an auto-increment read from the part is shown in Figure 14. The first byte of the burst sent from the serial bus master on SDI contains the destination

register address (Addr0) and an LSB of "1" indicating a read. Once the LTC6945 detects a read burst, it takes SDO out of the Hi-Z condition and sends data bytes sequentially, beginning with data from register Addr0. The part ignores all other data on SDI until the end of the burst.

Multidrop Configuration

Several LTC6945s may share the serial bus. In this multidrop configuration, SCLK, SDI and SDO are common between all parts. The serial bus master must use a separate \overline{CS} for each LTC6945 and ensure that only one device has \overline{CS} asserted at any time. It is recommended to attach a high value resistor to SDO to ensure the line returns to a known level during Hi-Z states.

OPERATION

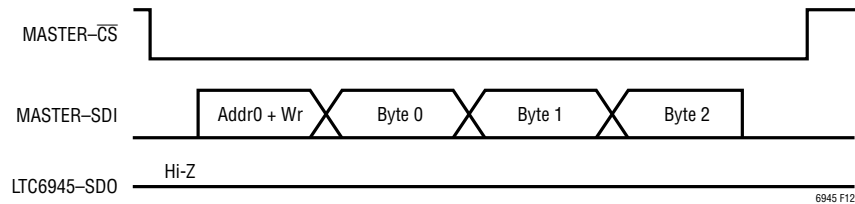


Figure 13. Serial Port Auto-Increment Write

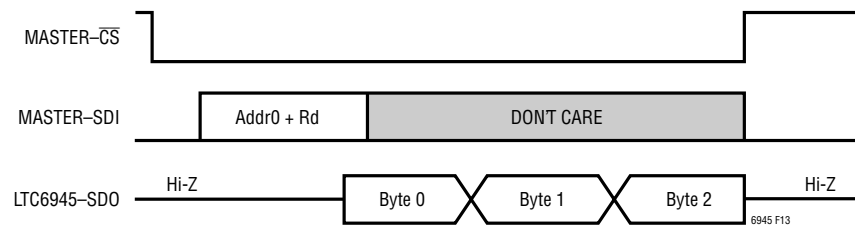


Figure 14. Serial Port Auto-Increment Read

Serial Port Registers

The memory map of the LTC6945 may be found in Table 8, with detailed bit descriptions found in Table 9. The register address shown in hexadecimal format under the ADDR column is used to specify each register. Each register is denoted as either read-only (R) or read-write (R/W). The register's default value on device power-up or after a reset is shown at the right.

The read-only register at address h00 is used to determine different status flags. These flags may be instantly output on the STAT pin by configuring register h01. See the STAT Output section for more information.

The read-only register at address h0B is a ROM byte for device identification.

STAT Output

The STAT output pin is configured with the x[5:0] bits of register h01. These bits are used to bit-wise mask, or enable, the corresponding status flags of status register h00, according to Equation 1. The result of this bit-wise Boolean operation is then output on the STAT pin:

$$\text{STAT} = \text{OR} (\text{Reg00}[5,2:0] \text{ AND } \text{Reg01}[5,2:0]) \quad (1)$$

or expanded:

$$\begin{aligned} \text{STAT} = & (\text{UNLOCK AND } x[5]) \text{ OR} \\ & (\text{LOCK AND } x[2]) \text{ OR} \\ & (\text{THI AND } x[1]) \text{ OR} \\ & (\text{TLO AND } x[0]) \end{aligned}$$

For example, if the application requires STAT to go high whenever the LOCK or THI flags are set, then x[2] and x[1] should be set to "1", giving a register value of h6.

Block Power-Down Control

The LTC6945's power-down control bits are located in register h02, described in Table 9. Different portions of the device may be powered down independently. *Care must be taken with the LSB of the register, the POR (power-on reset) bit. When written to a "1", this bit forces a full reset of the part's digital circuitry to its power-up default state.*

OPERATION

Table 8. Serial Port Register Contents

ADDR	MSB	[6]	[5]	[4]	[3]	[2]	[1]	LSB	R/W	DEFAULT
h00	*	*	UNLOCK	*	*	LOCK	THI	TLO	R	
h01	*	*	x[5]	*	*	x[2]	x[1]	x[0]	R/W	h04
h02	PDALL	PDPLL	*	PDOUT	PDREFO	*	OMUTE	POR	R/W	h0E
h03	*	*	*	*	*	*	RD[9]	RD[8]	R/W	h00
h04	RD[7]	RD[6]	RD[5]	RD[4]	RD[3]	RD[2]	RD[1]	RD[0]	R/W	h01
h05	ND[15]	ND[14]	ND[13]	ND[12]	ND[11]	ND[10]	ND[9]	ND[8]	R/W	h00
h06	ND[7]	ND[6]	ND[5]	ND[4]	ND[3]	ND[2]	ND[1]	ND[0]	R/W	hFA
h07	*	*	*	*	*	*	*	LKEN	R/W	h01
h08	BST	FILT[1]	FILT[0]	RFO[1]	RFO[0]	OD[2]	OD[1]	OD[0]	R/W	hF9
h09	LKWIN[1]	LKWIN[0]	LKCT[1]	LKCT[0]	CP[3]	CP[2]	CP[1]	CP[0]	R/W	h9B
h0A	CPCHI	CPCLO	CPMID	CPINV	CPWIDE	CPRST	CPUP	CPDN	R/W	hE4
h0B	REV[2]	REV[1]	REV[0]	PART[4]	PART[3]	PART[2]	PART[1]	PART[0]	R	h40

*unused

Table 9. Serial Port Register Bit Field Summary

BITS	DESCRIPTION	DEFAULT	BITS	DESCRIPTION	DEFAULT
BST	REF Buffer Boost Current	1	OD[2:0]	Output Divider Value (0 < OD[2:0] < 7)	h1
CP[3:0]	CP Output Current	hB	OMUTE	Mutes RF Output	1
CPCHI	CP Enable Hi Voltage Output Clamp	1	PART[4:0]	Part Code	h00
CPCLO	CP Enable Low Voltage Output Clamp	1	PDALL	Full Chip Power-Down	0
CPDN	CP Pump Down Only	0	PDOUT	Powers Down O_DIV, RF Output Buffer	0
CPINV	CP Invert Phase	0	PDPLL	Powers Down REF, REFO, R_DIV, PFD, CPUMP, N_DIV	0
CPMID	CP Bias to Mid-Rail	1	PDREFO	Powers Down REFO	1
CPRST	CP Three-State	1	POR	Force Power-On Reset Register Initialization	0
CPUP	CP Pump Up Only	0	RD[9:0]	R Divider Value (RD[9:0] > 0)	h001
CPWIDE	CP Extend Pulse Width	0	REV[2:0]	Rev Code	
FILT[1:0]	REF Input Buffer Filter	h3	RFO[1:0]	RF Output Power	h3
LKCT[1:0]	PLL Lock Cycle Count	h1	THI	CP Clamp High Flag	
LKEN	PLL Lock Indicator Enable	1	TLO	CP Clamp Low Flag	
LKWIN[1:0]	PLL Lock Indicator Window	h2	UNLOCK	PLL Unlock Flag	
LOCK	PLL Lock Indicator Flag		x[5,2:0]	STAT Output OR Mask	h04
ND[15:0]	N Divider Value (ND[15:0] > 31)	h00FA			

APPLICATIONS INFORMATION

INTRODUCTION

A PLL is a complex feedback system that may conceptually be considered a frequency multiplier. The system multiplies the frequency input at REF[±] and outputs a higher frequency at RF[±]. The PFD, charge pump, N divider, and external VCO and loop filter form a feedback loop to accurately control the output frequency (see Figure 15). The R and O dividers are used to set the output frequency resolution.

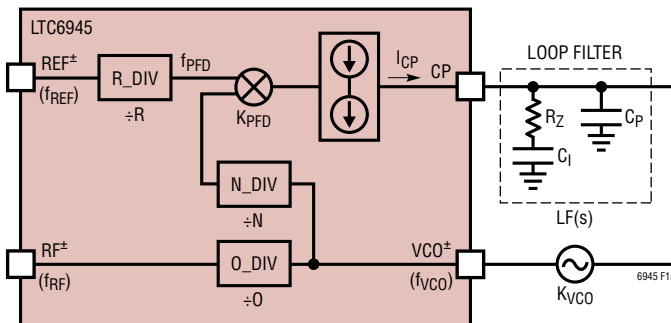


Figure 15. PLL Loop Diagram

OUTPUT FREQUENCY

When the loop is locked, the frequency f_{VCO} (in Hz) produced at the output of the VCO is determined by the reference frequency f_{REF} , and the R and N divider values, given by Equation 2:

$$f_{VCO} = \frac{f_{REF} \cdot N}{R} \quad (2)$$

Here, the PFD frequency f_{PFD} produced is given by the following equation:

$$f_{PFD} = \frac{f_{REF}}{R} \quad (3)$$

and f_{VCO} may be alternatively expressed as:

$$f_{VCO} = f_{PFD} \cdot N$$

The output frequency f_{RF} produced at the output of the O divider is given by Equation 4:

$$f_{RF} = \frac{f_{VCO}}{O} \quad (4)$$

Using the above equations, the output frequency resolution f_{STEP} produced by a unit change in N is given by Equation 5:

$$f_{STEP} = \frac{f_{REF}}{R \cdot O} \quad (5)$$

LOOP FILTER DESIGN

A stable PLL system requires care in selecting the external loop filter values. The Linear Technology PLLWizard application, available from www.linear.com, aids in design and simulation of the complete system.

The loop design should use the following algorithm:

1. Determine the output frequency, f_{RF} , and frequency step size, f_{STEP} , based on application constraints. Using Equations 2, 3, 4 and 5, change f_{REF} , N, R and O until the application frequency constraints are met. Use the minimum R value that still satisfies the constraints.
2. Select the loop bandwidth BW constrained by f_{PFD} . A stable loop requires that BW is less than f_{PFD} by at least a factor of 10.
3. Select loop filter component R_Z and charge pump current I_{CP} based on BW and the VCO gain factor K_{VCO} . BW (in Hz) is approximated by the following equation:

$$BW \approx \frac{I_{CP} \cdot R_Z \cdot K_{VCO}}{2 \cdot \pi \cdot N} \quad (6)$$

or:

$$R_Z = \frac{2 \cdot \pi \cdot BW \cdot N}{I_{CP} \cdot K_{VCO}}$$

where K_{VCO} is in Hz/V, I_{CP} is in Amps, and R_Z is in Ohms. K_{VCO} is the VCO's frequency tuning sensitivity, and may be determined from the VCO specifications. Use $I_{CP} = 11.2\text{mA}$ to lower in-band noise unless component values force a lower setting.

APPLICATIONS INFORMATION

4. Select loop filter components C_1 and C_P based on BW and R_Z . A reliable loop can be achieved by using the following equations for the loop capacitors (in Farads):

$$C_1 = \frac{3.5}{2 \cdot \pi \cdot BW \cdot R_Z} \quad (7)$$

$$C_P = \frac{1}{7 \cdot \pi \cdot BW \cdot R_Z} \quad (8)$$

LOOP FILTERS USING AN OPAMP

Some VCO tune voltage ranges are greater than the LTC6945's charge pump voltage range. An active loop filter using an op amp can increase the tuning voltage range. To maintain the LTC6945's high performance, care must be given to picking an appropriate op amp.

The op amp input common mode voltage should be biased within the LTC6945 charge pump's voltage range, while its output voltage should achieve the VCO tuning range. See Figure 16 for an example op amp loop filter.

The op amp's input bias current is supplied by the charge pump; minimizing this current keeps spurs related to f_{PFD} low. The input bias current should be less than the charge pump leakage (found in the Electrical Characteristics section) to avoid increasing spurious products.

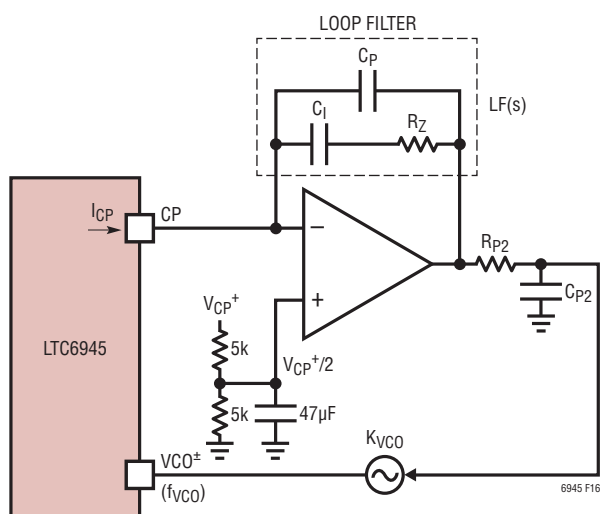


Figure 16. Op Amp Loop Filter

Op amp noise sources are highpass filtered by the PLL loop filter and should be kept at a minimum, as their effect raises the total system phase noise beginning near the loop bandwidth. Choose a low noise op amp whose input-referred voltage noise is less than the thermal noise of R_Z . Additionally, the gain bandwidth of the op amp should be at least 15 times the loop bandwidth to limit phase margin degradation. The LT1678 is an op amp that works very well in most applications.

An additional R-C lowpass filter (formed by R_{P2} and C_{P2} in Figure 16) connected at the input of the VCO will limit the op amp noise sources. The bandwidth of this filter should be placed approximately 15 to 20 times the PLL loop bandwidth to limit loop phase margin degradation. R_{P2} should be small (preferably much less than R_Z) to minimize its noise impact on the loop. However, picking too small of a value can make the op amp unstable as it has to drive the capacitor in this filter.

DESIGN AND PROGRAMMING EXAMPLE

This programming example uses the DC1649. Assume the following parameters of interest :

$$f_{REF} = 100\text{MHz at } 7\text{dBm into } 50\Omega$$

$$f_{STEP} = 250\text{kHz}$$

$$f_{VCO} = 902\text{MHz to } 928\text{MHz}$$

$$K_{VCO} = 15\text{MHz/V to } 21.6\text{MHz/V}$$

$$f_{RF} = 914\text{MHz}$$

Determining Divider Values

Following the Loop Filter Design algorithm, first determine all the divider values. Using Equations 2, 3, 4 and 5, calculate the following values:

$$O = 1$$

$$R = 100\text{MHz}/250\text{kHz} = 400$$

$$f_{PFD} = 250\text{kHz}$$

$$N = 914\text{MHz}/250\text{kHz} = 3656$$

APPLICATIONS INFORMATION

The next step in the algorithm is to determine the open-loop bandwidth. BW should be at least 10× smaller than f_{PFD} . Wider loop bandwidths could have lower integrated phase noise, depending on the VCO phase noise signature, while narrower bandwidths will likely have lower spurious power. Use a factor of 25 for this design:

$$\text{BW} = \frac{250\text{kHz}}{25} = 10\text{kHz}$$

Loop Filter Component Selection

Now set loop filter resistor R_Z and charge pump current I_{CP} . Because the K_{VCO} varies over the VCO's frequency range, using the K_{VCO} geometric mean gives good results. Using an I_{CP} of 11.2mA, R_Z is determined:

$$K_{\text{VCO}} = 10^6 \cdot \sqrt{15 \cdot 21.6} = 18\text{MHz/V}$$

$$R_Z = \frac{2 \cdot \pi \cdot 10\text{k} \cdot 3656}{11.2\text{mA} \cdot 18\text{M}}$$

$$R_Z = 1.14\text{k}$$

Now calculate C_I and C_P from Equations 7 and 8:

$$C_I = \frac{3.5}{2 \cdot \pi \cdot 10\text{k} \cdot 1.14\text{k}} = 48.9\text{nF}$$

$$C_P = \frac{1}{7 \cdot \pi \cdot 10\text{k} \cdot 1.14\text{k}} = 3.99\text{nF}$$

Status Output Programming

This example will use the STAT pin to monitor a phase lock condition. Program $x[2] = 1$ to force the STAT pin high whenever the LOCK bit asserts:

$$\text{Reg01} = \text{h04}$$

Power Register Programming

For correct PLL operation all internal blocks should be enabled, but PDREFO should be set if the REFO pin is not being used. OMUTE may remain asserted (or the $\overline{\text{MUTE}}$ pin held low) until programming is complete. For PDREFO = 1 and OMUTE = 1:

$$\text{Reg02} = \text{h0A}$$

Divider Programming

Program registers Reg03 to Reg06 with the previously determined R and N divider values:

$$\text{Reg03} = \text{h01}$$

$$\text{Reg04} = \text{h90}$$

$$\text{Reg05} = \text{h0E}$$

$$\text{Reg06} = \text{h48}$$

Reference Input Settings and Output Divider Programming

From Table 1, FILT = 0 for a 100MHz reference frequency.

Next, convert 7dBm into $V_{\text{P-P}}$. For a CW tone, use the following equation with R = 50:

$$V_{\text{P-P}} \cong \sqrt{R} \cdot 10^{(\text{dBm} - 21)/20} \quad (9)$$

This gives $V_{\text{P-P}} = 1.41\text{V}$, and, according to Table 2, set BST = 1.

Now program Reg08, assuming maximum RF^{\pm} output power ($\text{RFO}[1:0] = 3$ according to Table 7) and $\text{OD}[2:0] = 1$:

$$\text{Reg08} = \text{h99}$$

Lock Detect and Charge Pump Current Programming

Next determine the lock indicator window from f_{PFD} . From Table 3, LKWIN[1:0] = 3 for a t_{LWW} of 90ns. The LTC6945 will consider the loop “locked” as long as the phase coincidence at the PFD is within 8° , as calculated below:

$$\text{phase} = 360^\circ \cdot t_{\text{LWW}} \cdot f_{\text{PFD}} = 360 \cdot 90\text{n} \cdot 250\text{k} \cong 8^\circ$$

LKWIN[1:0] may be set to a smaller value to be more conservative. However, the inherent phase noise of the loop could cause false “unlocks” for too small a value.

Choosing the correct COUNTS depends upon the ratio of the bandwidth of the loop to the PFD frequency (BW/f_{PFD}). Smaller ratios dictate larger COUNTS values. A COUNTS value of 128 will work for the ratio of 1/25. From Table 4, LKCT[1:0] = 1 for 128 counts.

APPLICATIONS INFORMATION

Using Table 5 with the previously selected I_{CP} of 11.2mA, gives $CP[3:0] = 11$. This is enough information to program Reg09:

$$\text{Reg09} = \text{hDB}$$

To enable the lock indicator, write Reg07:

$$\text{Reg07} = \text{h01}$$

Charge Pump Function Programming

The DC1649 includes an LT1678I op amp in the loop filter. This allows the circuit to reach the voltage range specified for the VCO's tuning input. However, it also adds an inversion in the loop transfer function. Compensate for this inversion by setting $CPINV = 1$.

This example does not use the additional voltage clamp features to allow fault condition monitoring. The loop feedback provided by the op amp will force the charge pump output to be equal to the op amp positive input pin's voltage. Disable the charge pump voltage clamps by setting $CPCHI = 0$ and $CPCL0 = 0$. Disable all the other charge pump functions ($CPMID$, $CPRST$, $CPUP$ and $CPDN$) to allow the loop to lock:

$$\text{Reg0A} = \text{h10}$$

The loop should now lock. Now unmute the output by setting $OMUTE = 0$ (assumes the \overline{MUTE} pin is high):

$$\text{Reg02} = \text{h08}$$

REFERENCE SOURCE CONSIDERATIONS

A high quality signal must be applied to the REF^{\pm} inputs as they provide the frequency reference to the entire PLL. As mentioned previously, to achieve the part's in-band phase noise performance, apply a CW signal of at least 6dBm into 50 Ω , or a square wave of at least 0.5V_{P-P} with slew rate of at least 40V/ μ s.

The LTC6945 may be driven single-ended to CMOS levels (greater than 2.7V_{P-P}). Apply the reference signal directly without a DC-blocking capacitor at REF^+ , and bypass REF^- to GND with a 47pF capacitor. The BST bit must also be set to "0", according to guidelines given in Table 2.

The LTC6945 achieves an in-band normalized phase noise floor of -226dBc/Hz (typical). To calculate its equivalent input phase noise floor $L_{M(IN)}$, use Equation 10:

$$L_{M(IN)} = -226 + 10 \cdot \log_{10}(f_{REF}) \quad (10)$$

For example, using a 10MHz reference frequency gives an input phase noise floor of -156dBc/Hz . The reference frequency source's phase noise must be approximately 3dB better than this to prevent limiting the overall system performance.

IN-BAND OUTPUT PHASE NOISE

The in-band phase noise produced at f_{RF} may be calculated by using Equation 11.

$$L_{M(OUT)} = -226 + 10 \cdot \log_{10}(f_{PFD}) + 20 \cdot \log_{10}\left(\frac{f_{RF}}{f_{PFD}}\right) \quad (11)$$

or

$$L_{M(OUT)} = -226 + 10 \cdot \log_{10}(f_{PFD}) + 20 \cdot \log_{10}\left(\frac{N}{O}\right)$$

As seen for a given PFD frequency f_{PFD} , the output in-band phase noise increases at a 20dB-per-decade rate with the N divider count. So, for a given output frequency f_{RF} , f_{PFD} should be as large as possible (or N should be as small as possible) while still satisfying the application's frequency step size requirements.

OUTPUT PHASE NOISE DUE TO 1/f NOISE

In-band phase noise at very low offset frequencies may be influenced by the LTC6945's 1/f noise, depending upon f_{PFD} . Use the normalized in-band 1/f noise of -274dBc/Hz with Equation 12 to approximate the output 1/f phase noise at a given frequency offset f_{OFFSET} :

$$L_{M(OUT-1/f)}(f_{OFFSET}) = -274 + 20 \cdot \log_{10}(f_{RF}) - 10 \cdot \log_{10}(f_{OFFSET}) \quad (12)$$

APPLICATIONS INFORMATION

Unlike the in-band noise floor $L_{M(OUT)}$, the $1/f$ noise $L_{M(OUT-1/f)}$ does not change with f_{PFD} and is not constant over offset frequency. See Figure 17 for an example of in-band phase noise for f_{PFD} equal to 3MHz and 100MHz. The total phase noise will be the summation of $L_{M(OUT)}$ and $L_{M(OUT-1/f)}$.

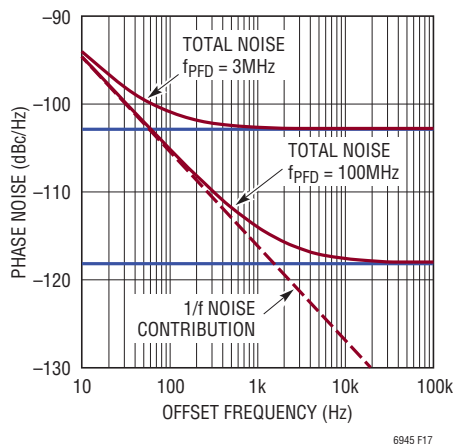


Figure 17. Theoretical In-Band Phase Noise, $f_{RF} = 2500\text{MHz}$

VCO INPUT MATCHING

The VCO $^{\pm}$ inputs may be used differentially or single-ended. Each input provides a single-ended 121Ω resistance to aid in impedance matching at high frequencies. The inputs are self-biased and must be AC-coupled using a 100pF capacitors (or 270pF for VCO frequencies less than 500MHz).

The inputs may be used single-ended by applying the AC-coupled VCO frequency at VCO $^+$ and bypassing VCO $^-$ to GND with a 100pF capacitor (270pF for frequencies less than 500MHz). Measured VCO $^+$ s-parameters (with VCO $^-$ bypassed with 100pF to GND) are shown in Table 10 to aid in the design of external impedance matching networks.

RF OUTPUT MATCHING

The RF $^{\pm}$ outputs may be used in either single-ended or differential configurations. Using both RF outputs differentially will result in approximately 3dB more output power than single-ended. Impedance matching to an external load in both cases requires external chokes tied to V_{RF}^+ . Measured RF $^{\pm}$ s-parameters are shown below in Table 11 to aid in the design of impedance matching networks.

Table 10. Single-Ended VCO $^+$ Input Impedance

FREQUENCY (MHz)	IMPEDANCE (Ω)	S11 (dB)
250	118 - j78	-5.06
500	83.6 - j68.3	-5.90
1000	52.8 - j56.1	-6.38
1500	35.2 - j41.7	-6.63
2000	25.7 - j30.2	-6.35
2500	19.7 - j20.6	-5.94
3000	17.6 - j11.2	-6.00
3500	17.8 - j3.92	-6.41
4000	19.8 + j4.74	-7.20
4500	21.5 + j15.0	-7.12
5000	21.1 + j19.4	-6.52
5500	27.1 + j22.9	-7.91
6000	38.3 + j33.7	-8.47
6500	36.7 + j42.2	-6.76
7000	46.2 + j40.9	-8.11
7500	76.5 + j36.8	-9.25
8000	84.1 + j52.2	-7.27

Table 11. Single-Ended RF Output Impedance

FREQUENCY (MHz)	IMPEDANCE (Ω)	S11 (dB)
500	102.8 - j49.7	-6.90
1000	70.2 - j60.1	-6.53
1500	52.4 - j56.2	-6.35
2000	43.6 - j49.2	-6.58
2500	37.9 - j39.6	-7.34
3000	32.7 - j28.2	-8.44
3500	27.9 - j17.8	-8.99
4000	24.3 - j9.4	-8.72
4500	22.2 - j3.3	-8.26
5000	21.6 + j1.9	-8.02
5500	21.8 + j6.6	-7.91
6000	23.1 + j11.4	-8.09
6500	25.7 + j16.9	-8.38
7000	29.3 + j23.0	-8.53
7500	33.5 + j28.4	-8.56
8000	37.9 + j32.6	-8.64

APPLICATIONS INFORMATION

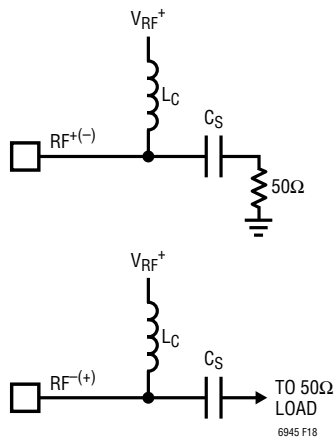


Figure 18. Single-Ended Output Matching Schematic

Single-ended impedance matching is accomplished using the circuit of Figure 18, with component values found in Table 12. Using smaller inductances than recommended can cause phase noise degradation, especially at lower center frequencies.

Table 12. Suggested Single-Ended Matching Component Values

f_{RF} (MHz)	L_C (nH)	C_S (pF)
350 to 1500	180nH	270pF
1000 to 5800	68nH	100pF

Return loss measured on the DC1649 using the above component values is shown in Figure 19. A broadband match is achieved using an (L_C , C_S) of either (68nH, 100pF) or (180nH, 270pF). However, for maximum output power and best phase noise performance, use the recommended component values of Table 12. L_C should be a wirewound inductor selected for maximum Q factor and SRF, such as the Coilcraft HP series of chip inductors.

The LTC6945's differential RF \pm outputs may be combined using an external balun to drive a single-ended load. The advantages are approximately 3dB more output power than each output individually and better 2nd-order harmonic performance.

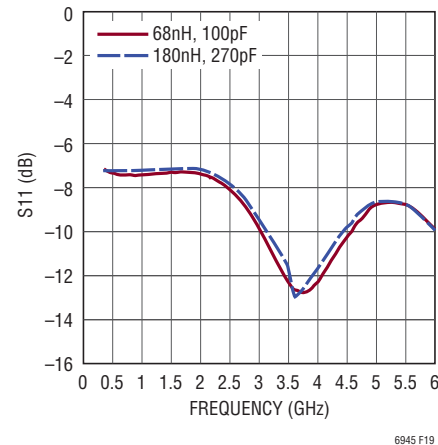


Figure 19. Single-Ended Return Loss

For lower frequencies, transmission line (TL) baluns such as the M/A-COM MABACT0065 and the TOKO #617DB-1673 provide good results. At higher frequencies, surface mount (SMT) baluns such as those produced by TDK, Anaren, and Johanson Technology, can be attractive alternatives. See Table 13 for recommended balun part numbers versus frequency range.

The listed SMT baluns contain internal chokes to bias RF \pm and also provide input-to-output DC isolation. The pin denoted as GND or DC FEED should be connected to the V_{RF+} voltage. Figure 20 shows a surface mount balun's connections with a DC FEED pin.

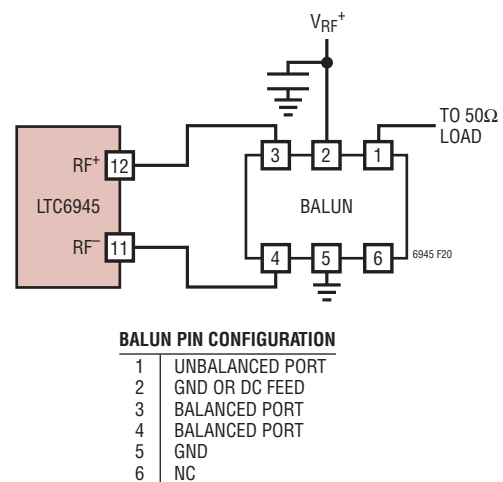


Figure 20. Example of a SMT Balun Connection

APPLICATIONS INFORMATION

Table 13. Suggested Baluns

f_{RF} (MHz)	PART NUMBER	MANUFACTURER	TYPE
350 to 900	#617DB-1673	TOKO	TL
400 to 600	HHM1589B1	TDK	SMT
600 to 1400	BD0810J50200	Anaren	SMT
600 to 3000	MABACT0065	M/A-COM	TL
1000 to 2000	HHM1518A3	TDK	SMT
1400 to 2000	HHM1541E1	TDK	SMT
1900 to 2300	2450BL15B100E	Johanson	SMT
2000 to 2700	HHM1526	TDK	SMT
3700 to 5100	HHM1583B1	TDK	SMT
4000 to 6000	HHM1570B1	TDK	SMT

The listed TL baluns do not provide input-to-output DC isolation and must be AC coupled at the output. Figure 21 displays RF \pm connections using these baluns.

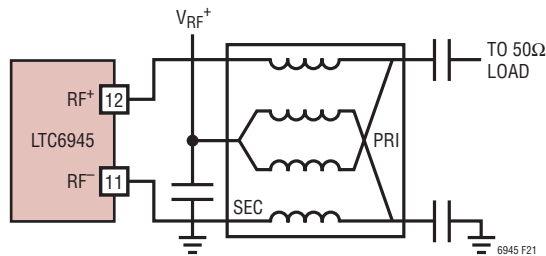


Figure 21. Example of a TL Balun Connection

SUPPLY BYPASSING AND PCB LAYOUT GUIDELINES

Care must be taken when creating a PCB layout to minimize power supply decoupling and ground inductances. All power supply V^+ pins should be bypassed directly to the ground plane using a 0.1 μ F ceramic capacitor as close to the pin as possible. Multiple vias to the ground plane should be used for all ground connections, including to the power supply decoupling capacitors.

The package's exposed pad is a ground connection, and must be soldered directly to the PCB land. The PCB land pattern should have multiple thermal vias to the ground plane for both low ground inductance and also low thermal resistance (see Figure 22 for an example). See QFN Package Users Guide, page 8, on Linear Technology website's Packaging Information page for specific recommendations concerning land patterns and land via solder masks. Links are provided below.

<http://www.linear.com/designtools/packaging>

REFERENCE SIGNAL ROUTING AND SPURIOUS

The charge pump operates at the PFD's update frequency f_{PFD} . The resultant output spurious energy is small and is further reduced by the loop filter before it modulates the VCO frequency.

However, improper PCB layout can degrade the LTC6945's inherent spurious performance. Care must be taken to prevent the reference signal f_{REF} from coupling onto the VCO's tune line, or into other loop filter signals. Example suggestions are the following.

1. Do not share power supply decoupling capacitors between same voltage power supply pins.
2. Use separate ground vias for each power supply decoupling capacitor, especially those connected to V_{REF}^+ , V_{CP}^+ , and V_{VCO}^+ .
3. Physically separate the reference frequency signal from the loop filter and VCO.

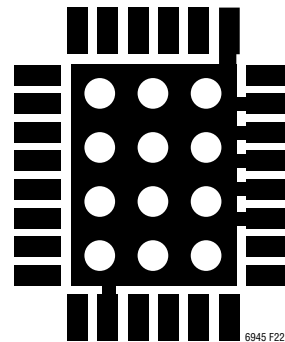
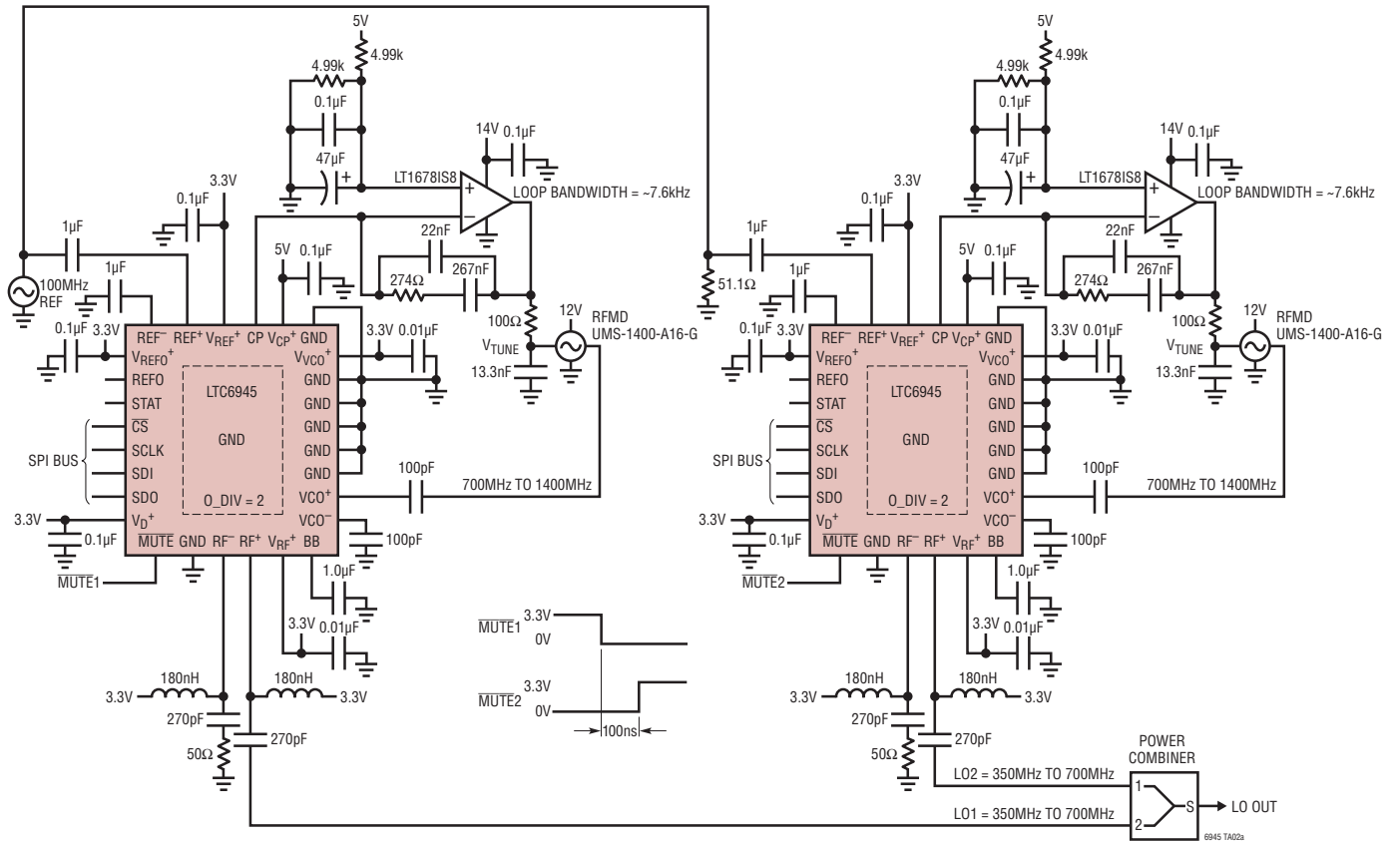


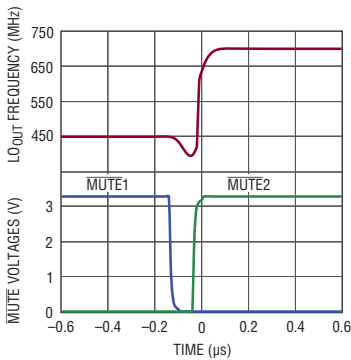
Figure 22. Example Exposed Pad Land Pattern

TYPICAL APPLICATIONS

LTC6945 Wideband Frequency Hopping Local Oscillator

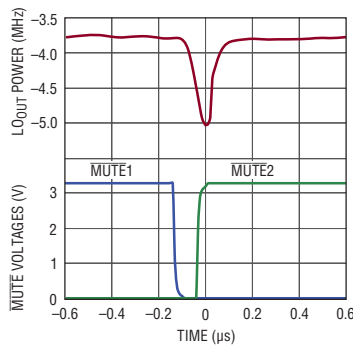


**Frequency Hopping
LO_{OUT} Frequency,
LO1 = 450MHz, LO2 = 700MHz**



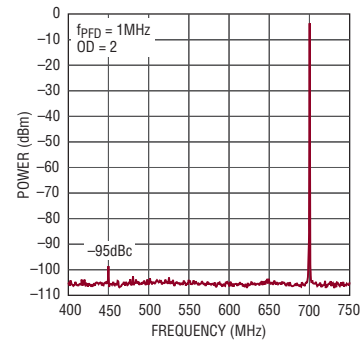
6945 TA02b

**Frequency Hopping
LO_{OUT} Power,
LO1 = 450MHz, LO2 = 700MHz**



6945 TA02c

**Frequency Hopping
LO_{OUT} Spectrum,
LO1 = 450MHz Muted,
LO2 = 700MHz**



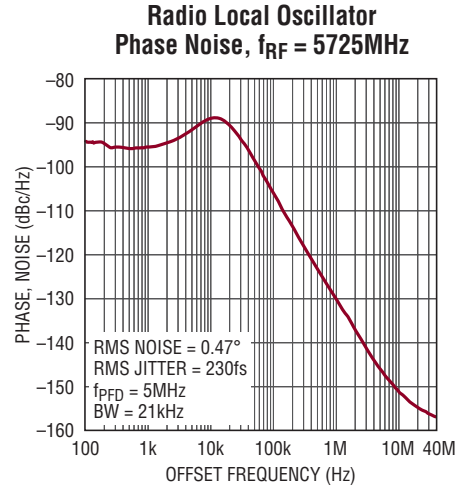
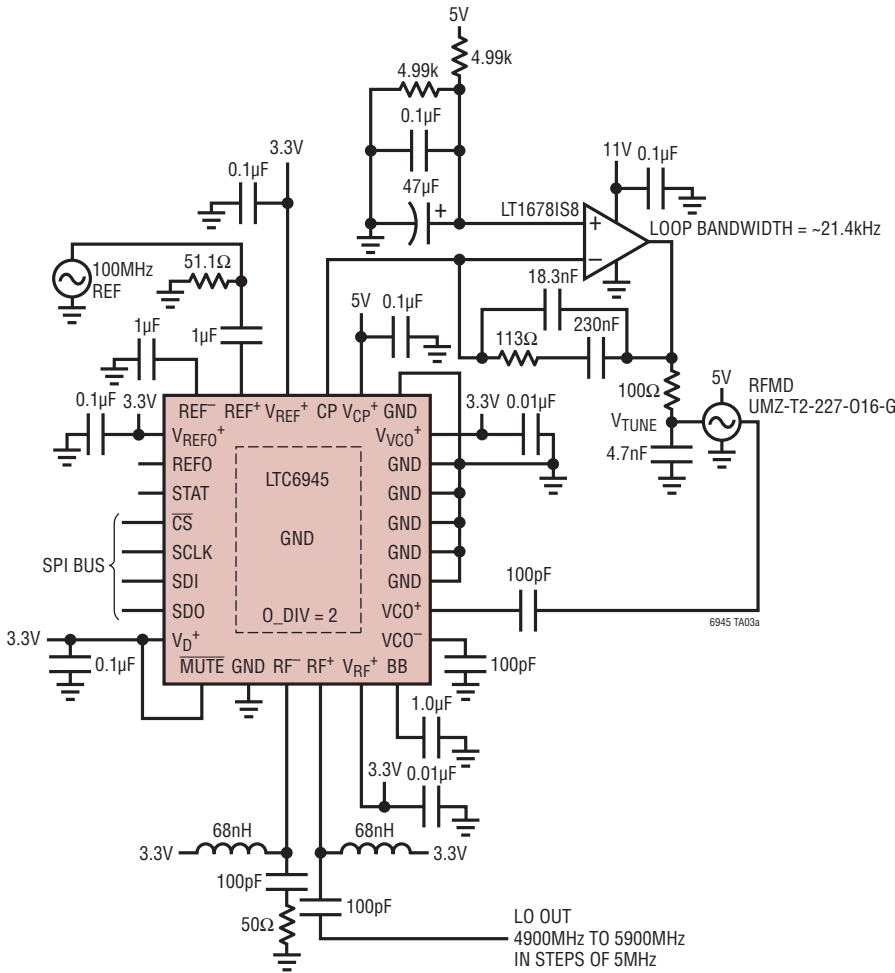
6945 TA02d

REVISION HISTORY

REV	DATE	DESCRIPTION	PAGE NUMBER
A	3/15	Changed operating core temperature to operating junction temperature. Updated power supply currents.	2 4

TYPICAL APPLICATION

LTC6945 Wideband Point-to-Point Radio Local Oscillator



RELATED PARTS

PART NUMBER	DESCRIPTION	COMMENTS
LTC6946	Ultralow Noise and Spurious Integer-N Synthesizer with VCO	370MHz to 6.4GHz, -226dBc/Hz Normalized In-Band Phase Noise Floor
LTC6947	Ultralow Noise and Spurious Fractional-N Synthesizer	350MHz to 6GHz, -226dBc/Hz Normalized In-Band Phase Noise Floor
LTC6948	Ultralow Noise and Spurious Frac-N Synthesizer with VCO	370MHz to 6.4GHz, -226dBc/Hz Normalized In-Band Phase Noise Floor
LTC6950	Low Phase Noise and Spurious Integer-N PLL Core with Five Output Clock Distribution and EZSync	1.4GHz Max VCO Frequency, Additive Jitter <20fsRMS, -226dBc/Hz Normalized In-Band Phase Noise Floor
LTC6957	Low Phase Noise, Dual Output Buffer/Driver/Logic Converter	Optimized Conversion of Sine Waves to Logic Levels, LVPECL/LVDS/CMOS
LTC2000	16-/14-/11-Bit 2.5Gsp/s DAC	Superior 80dBc SFDR at 70MHz Output, 40mA Nominal Drive and High Linearity
LTC5569	Broadband Dual Mixer	300MHz to 4GHz, 26.8dBm IIP3, 2dB Gain, 11.7dB NF, 600mW Power
LTC5588-1	Ultrahigh OIP3 I/Q Modulator	200MHz to 6GHz, 31dBm OIP3, -160.6dBm/Hz Noise Floor
LT[®]5575	Direct Conversion I/Q Demodulator	800MHz to 2.7GHz, 22.6dBm IIP3, 60dBm IIP2, 12.7dB NF

Mouser Electronics

Authorized Distributor

Click to View Pricing, Inventory, Delivery & Lifecycle Information:

[Analog Devices Inc.:](#)

[LTC6945IUFD](#) [LTC6945IUFD#PBF](#) [LTC6945IUFD#TRPBF](#)