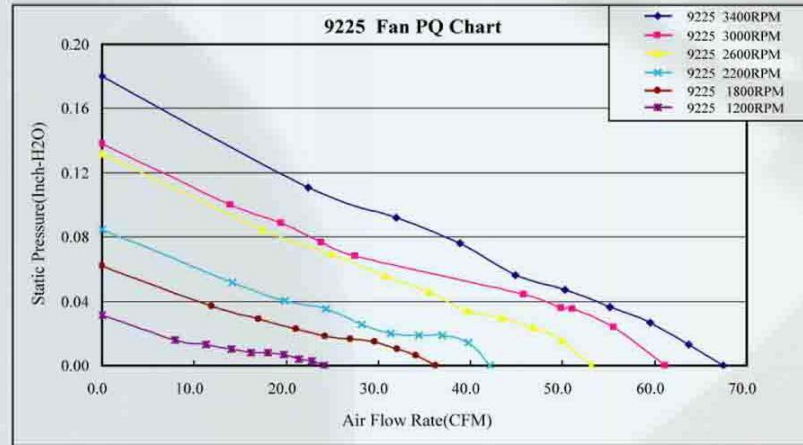
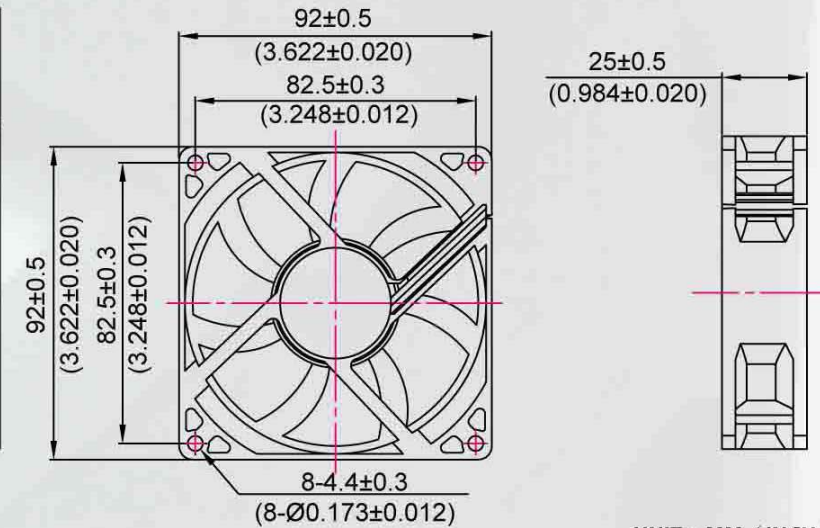




P&Q Curve



Dimensions Drawing



UNIT : MM (INCH)

Specifications

- Material : impeller & Frame : Plastic(UL 94V-O)
- Lead Wires :
UL 1007 AWG#24 Or Equivalent
Red Wire Positive(+), Black Wire Negative(-), Yellow Wire Or Blue Wire Signal(FG)
- Function type is optional
- The max air flow and the speed are measured in free air; max air pressure is measured at zero air flow
- Noise is measured in anechoic chamber in free air, one meter from intake side
- All readings are typical values at rated voltage
- Specifications are subject to change with notice
- Additional special function may be added according to the requirement of customer

Model	Rated Voltage (VDC)	Rated Current (AMP)	Power Consumption (WATTS)	Speed Reference (RPM)	Air Flow (CFM)	Static Pressure (Inch-H ₂ O)	Noise (dBA)
TFD-9225HH12X	12	0.3	3.6	3000	61.11	0.14	<28.1
TFD-9225H12X	12	0.24	2.88	2600	53.1	0.13	<25
TFD-9225M12X	12	0.2	2.4	2200	42.1	0.09	<21.4
TFD-9225L12X	12	0.16	1.92	1800	36.23	0.06	<17
TFD-9225LL12X	12	0.12	1.44	1200	24.15	0.03	<8.7
TFD-9225TH24X	24	0.28	6.72	3400	67.47	0.18	<30.8
TFD-9225HH24X	24	0.23	5.52	3000	61.11	0.14	<28.1
TFD-9225H24X	24	0.18	4.32	2600	53.1	0.13	<25
TFD-9225M24X	24	0.13	3.12	2200	42.1	0.09	<21.4
TFD-9225L24X	24	0.08	1.92	1800	36.23	0.06	<17