

Features

- Recommended for reflow processing
- Rotor design compatible with pick and place and automatic adjustment equipment
- Supplied in 8 mm embossed tape, compatible with automatic assembly equipment
- Rear adjust version available
- 3 mm size meets EIA/EIAJ standard trimmer footprint
- RoHS compliant* - see [processing information](#) on RoHS compliant surface mount trimmers
- For trimmer applications/processing guidelines, [click here](#)

3303 - 3 mm SMD Trimpot® Trimming Potentiometer

Electrical Characteristics

Standard Resistance Range100 ohms to 1 megohm
 (see standard resistance table)
 Resistance Tolerance ±25 % std.
 Absolute Minimum Resistance
 ≤ 1K Ohms 20 ohms max.
 >1K Ohms 2 % max. of TR
 Contact Resistance Variation . 5 % max.
 Resolution Infinite
 Adjustment Angle 260 ° ±20 °

Environmental Characteristics

Resistance to Soldering Heat
 ... 260 °C, 10 seconds, TRS max. 5 %
 Power Rating (50 VDC max.)
 70 °C 0.15 watt
 Temperature Range ... -40 °C to +125 °C
 Temperature Coefficient ... ±250 ppm/°C
 Humidity 95 %RH
 500 hours
 TRS max. ±5 %
 Load Life
@ 70 °C rated power 500 hours
 TRS ± 5 %
 Rotational Cycling 20 turns
 TRS ± 15 %

Physical Characteristics

Torque..... 20-200 g-cm max.
 Mechanical Angle Continuous
 Marking..... Part marking code
 Standard Packaging
 2000 pcs./7 " reel
 Adjustment Tool..... H-90

Aqueous cleaning not recommended.

How To Order

3303 X - 3 - 103 E

Model _____
 Style _____

Orientation of Parts In Tape:
 • Styles W, C -Terminals Toward Sprocket Holes
 • Styles X, D -Terminals Away From Sprocket Holes (preferred)

Standard or Modified
 Product Indicator
 -1 = Single Slot (C, D Pin Styles Only)
 -3 = Cross Slot Low Profile (W, X Pin Styles Only)

Resistance Code _____
 Embossed Tape Designator _____

Consult factory for other available options.

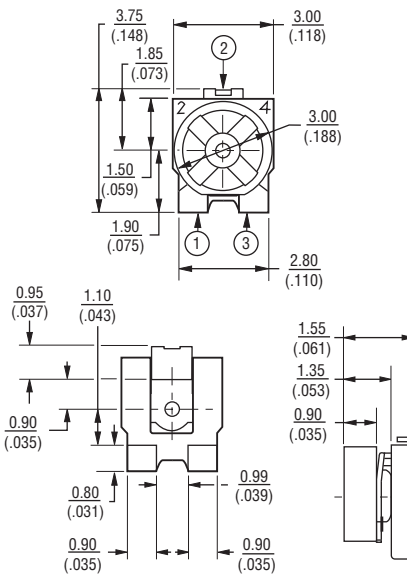
*RoHS Directive 2002/95/EC Jan. 27, 2003 including annex and RoHS Recast 2011/65/EU June 8, 2011. Specifications are subject to change without notice.

The device characteristics and parameters in this data sheet can and do vary in different applications and actual device performance may vary over time.

Users should verify actual device performance in their specific applications.

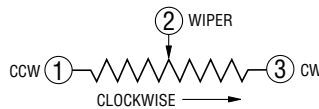
Product Dimensions

3303W, X-3
3mm Open Frame
for Reflow Soldering
3-Terminal
Low Profile

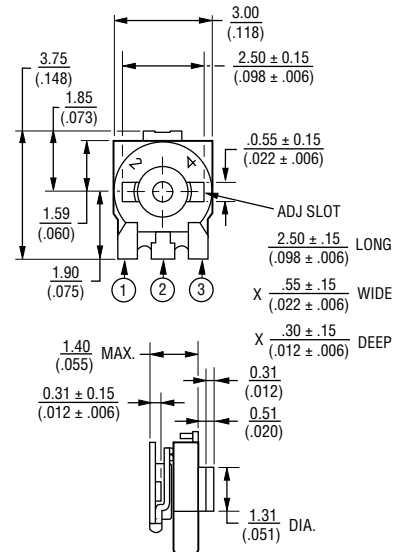


SUGGESTED PWB LAYOUT

DIMENSIONS: $\frac{\text{MM}}{\text{(INCHES)}}$
 TOLERANCES: ± $\frac{0.30}{(.012)}$ EXCEPT WHERE NOTED



3303C,D-1
3-Terminal
Both Sides Adjust



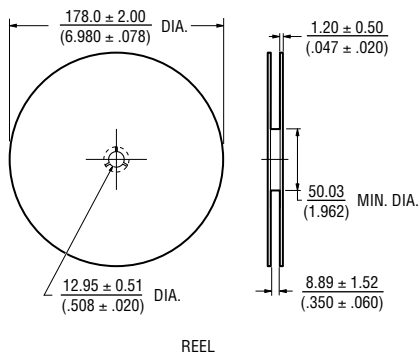
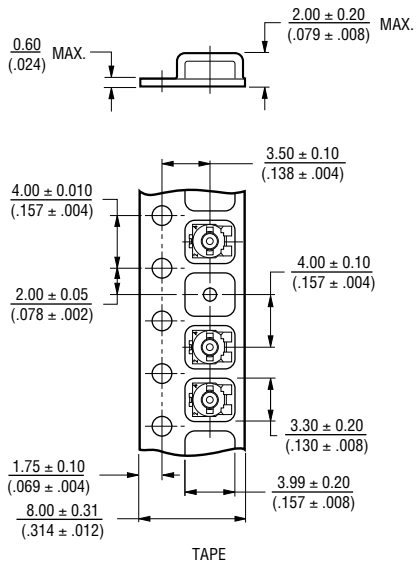
SUGGESTED PWB LAYOUT

DIMENSIONS: $\frac{\text{MM}}{\text{(INCHES)}}$
 TOLERANCES: ± $\frac{0.38}{(.015)}$ EXCEPT WHERE NOTED

3303 - 3 mm SMD Trimpot® Trimming Potentiometer

BOURNS®

Packaging Specifications



Meets EIA 481

DIMENSIONS: $\frac{\text{MM}}{\text{(INCHES)}}$

TOLERANCES: $\pm \frac{0.25}{(.010)}$ EXCEPT WHERE NOTED

Standard Resistance Table

Resistance (Ohms)	Part Marking Code	Resistance Code
100	12	101
200	22	201
500	52	501
1,000	13	102
2,000	23	202
5,000	53	502
10,000	14	103
20,000	24	203
50,000	54	503
100,000	15	104
200,000	25	204
500,000	55	504
1,000,000	16	105

Popular distribution resistance values listed in boldface. Special resistances available.

REV. 04/14

"Trimpot" is a registered trademark of Bourns, Inc. Specifications are subject to change without notice.

The device characteristics and parameters in this data sheet can and do vary in different applications and actual device performance may vary over time. Users should verify actual device performance in their specific applications.

Mouser Electronics

Authorized Distributor

Click to View Pricing, Inventory, Delivery & Lifecycle Information:

Bourns:

[3303X-3-103E](#) [3303X-3-105E](#) [3303W-3-105E](#) [3303X-3-101E](#) [3303W-3-101E](#) [3303C-1-201E](#) [3303C-1-202E](#)
[3303C-1-204E](#) [3303C-1-203E](#) [3303X-3-502E](#) [3303X-3-501E](#) [3303X-3-504E](#) [3303W-3-503E](#) [3303X-3-503E](#) [3303W-](#)
[3-501E](#) [3303W-3-502E](#) [3303C-1-501E](#) [3303C-1-503E](#) [3303C-1-502E](#) [3303C-1-102E](#) [3303W-3-202E](#) [3303X-3-202E](#)
[3303W-3-104E](#) [3303W-3-504E](#) [3303X-3-204E](#) [3303W-3-204E](#) [3303X-3-203E](#) [3303X-3-201E](#) [3303W-3-201E](#)
[3303W-3-203E](#) [3303X-3-302E](#) [3303D-1-103E](#) [3303C-1-101E](#) [3303C-1-105E](#) [3303C-1-104E](#) [3303C-1-103E](#) [3303D-](#)
[1-502E](#) [3303X-3-102E](#) [3303W-3-102E](#) [3303X-3-104E](#) [3303W-3-103E](#) [3303D-1-102E](#) [3303D-1-202E](#) [3303D-1-501E](#)
[3303D-1-104E](#) [3303D-1-203E](#) [3303C-1-504E](#)