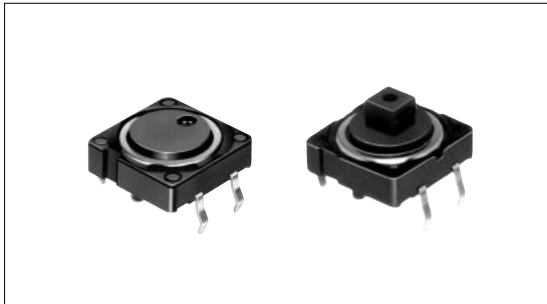


# TACT Switch™ 12mm Square(Snap-in Type)

SKHC Series



Joint stem & flat stem with stable operation feeling.



Detector

Push

Slide

Rotary

Encoders

Power

Dual-in-line  
Package Type

TACT Switch™

Custom-  
Products

Sharp  
Feeling

Soft  
Feeling

Snap-in  
Type

Surface  
Mount Type

Radial  
Type


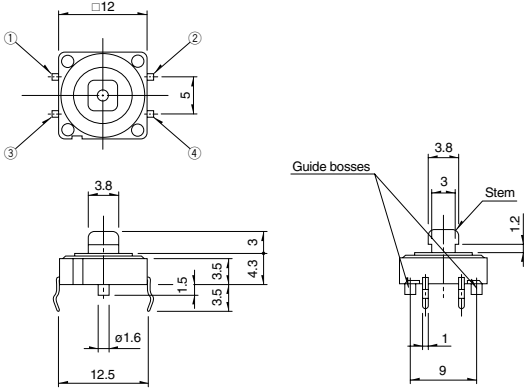
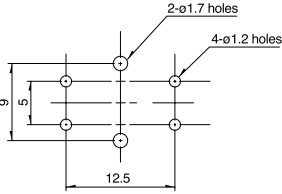

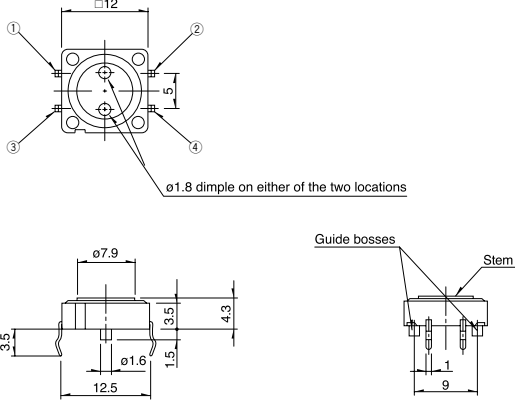
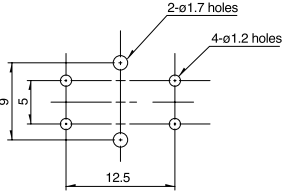
## Product Line

Product No.	Operating force	Operating direction	Travel (mm)	Rating (max.)	Rating (min.)	Operating life (5mA 5V DC)	Initial contact resistance	Stem color	Variety	Minimum order unit(pcs.)	Drawing No.	
SKHCBJA010	0.74N	Vertical	0.3	50mA 12VDC	10μA 1VDC	500,000 cycles	100m max.	Blue	Joint stem	1,000	1	
SKHCBEA010	1.27N					1,000,000 cycles		Black				
SKHCBGA010	2.55N					500,000 cycles		Dark gray				
SKHCBKA010	0.74N					500,000 cycles		Blue	Flat stem			
SKHCBFA010	1.27N							1,000,000 cycles				Black
SKHCBHA010	2.55N							500,000 cycles				Dark gray

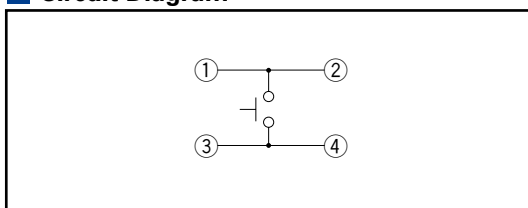
Refer to P.306 for soldering conditions.  
Refer to P.308 for standard knobs.

**Dimensions**

Unit:mm

No.	Photo	Style	PC board mounting hole dimensions ( Viewed from switch mounting face )
1			
2			

**Circuit Diagram**



**Note**

Please use 1.6mm thick PC boards.

Detector

Push

Slide

Rotary

Encoders

Power

Dual-in-line  
Package Type

TACT Switch™

Custom-  
Products

Sharp  
Feeling

Soft  
Feeling

Snap-in  
Type

Surface  
Mount Type

Radial  
Type

## List of Varieties

### Sharp Feeling Type

Series	SKQU	SKQB	SKQE	SKHC	SKHK	SKRW	SKRM	SKQR	SKRB	SKRR	SKQG	
Detector	<b>Photo</b>											
Push	<b>Type</b> Snap-in					Surface mount						
Slide	<b>Features</b> 4-direction switch + push switch		Water-proof Horizontal type	Long Life		Long Stem	Low-profile			Low-profile and long life	Low-profile	
Rotary	<b>Operating direction</b>	<b>Vertical</b>										
Encoders		<b>Horizontal</b>										
Power	<b>Dimensions (mm)</b>	<b>W</b>	10	11.5	12		3.7	4.5	4.8		7.5	5.2
Dual-in-line Package Type		<b>D</b>		11.9							7	
TACT Switch™		<b>H</b>	7.1	11.3	4.3		12	0.35	0.4	0.5	0.55	0.6
Custom-Products	<b>Operation force coverage</b>		1N See the relevant pages for respective product descriptions	•	↕	↕↕	•	↕	↕	↕	↕↕	↕
			5N									
	<b>Ground terminal</b>											
	<b>Operating temperature range</b> -30 to +85											
Sharp Feeling	<b>Electrical performance</b>	<b>Insulation resistance</b>	100M min. 100V DC									
Soft Feeling		<b>Voltage proof</b>	250V AC for 1min. SKRW/RM/RB/RR : 100V AC for 1min.									
Snap-in Type	<b>Durability</b>	<b>Vibration</b>	10 to 55 to 10Hz/min., the amplitude is 1.5mm for all the frequencies, in the 3 direction of X, Y and Z for 2hours respectively									
Surface Mount Type		<b>Lifetime</b>	Shall be in accordance with individual specifications.									
Radial Type	<b>Environmental performance</b>	<b>Cold</b>	-30 ± 2 for 96h									
		<b>Dry heat</b>	80 ± 2 for 96h									
		<b>Damp heat</b>	60 ± 2 , 90 to 95%RH for 96h									
	<b>Page</b>	482	265	267	268	270	271	272	273	274	275	276

W : Width. The most outer dimension excluding terminal portion.  
 D : Depth. The most outer dimension excluding terminal portion.  
 H : Height. The minimum dimension if there are variances.

TACT Switch™ Soldering Conditions .....306  
 TACT Switch™ Cautions .....307  
 Product Line of Knob for TACT Switch™ .....308

**Note**

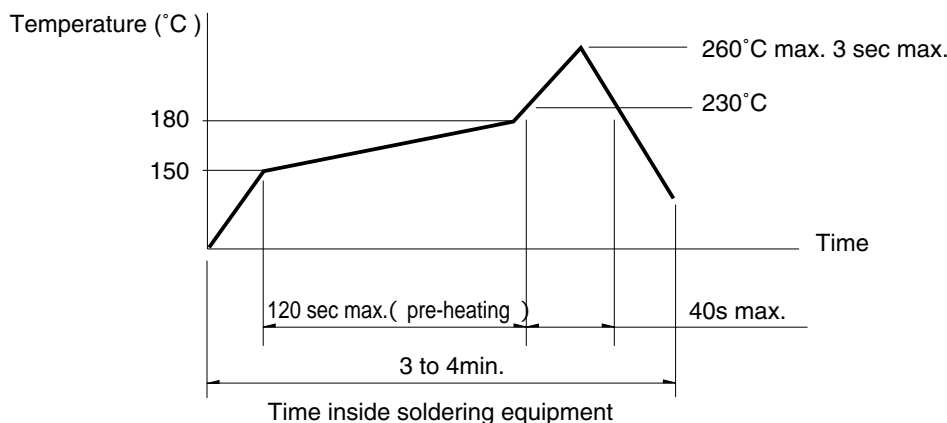
The automotive operating temperature range to be individually discussed upon request.

## Soldering Conditions

### Condition for Reflow

Available for Surface Mount Type.

1. Heating method: Double heating method with infrared heater.
2. Temperature measurement: Thermocouple 0.1 to 0.2 CA(K) or CC(T) at solder joints( copper foil surface ). A heat resistive tape should be used to fix thermocouple.
3. Temperature profile



### Note

1. The above temperature shall be measured on the mounting surface of a PC board. There are cases where the PC board's temperature greatly differs from that of the switch, depending on the material, size, thickness of PC boards and others. The above-stated conditions shall also apply to switch surface temperatures.
2. Soldering conditions differ depending on reflow soldering machines. Prior verification of soldering condition is highly recommended.

### Conditions for Auto-dip

Available for Snap-in Type and Radial Type  
(Except SKHJ, SKHL, SKQJ, SKQK, SKEG series)

Items	Condition
Flux built-up	Mounting surface should not be exposed to flux
Preheating temperature	Ambient temperature of the soldered surface of PC board. 100 max.
Preheating time	60s max.
Soldering temperature	260 max.
Duration of immersion	5s max.
Number of soldering	2times max.

### Manual Soldering ( Except SKRT Series )

Items	Condition
Soldering temperature	350 max.
Duration of soldering	3s max.
Capacity of soldering iron	60W max.

### Notes

1. Consult with us for availability of TACT Switch™ washing.
2. Prevent flux penetration from the top side of the TACT Switch™.
3. Switch terminals and a PC board should not be coated with flux prior to soldering.
4. The second soldering should be done after the switch is stable with normal temperature.
5. Use the flux with a specific gravity of min 0.81.  
( EC-19S-8 by TAMURA Corporation, or equivalents. )

Detector  
Push  
Slide  
Rotary  
Encoders  
Power  
Dual-in-line Package Type  
TACT Switch™  
Custom-Products

Sharp Feeling  
Soft Feeling  
Snap-in Type  
Surface Mount Type  
Radial Type

# Product Line of Knobs

Unit:mm

Applicable model	Dimensions	Variety		Label dimensions (Unit:mm)
		Color	Model	
Detector				
Push				
Slide				
Rotary				
Encoders				
Power				
Dual-in-line Package Type				
TACT Switch™				
Custom-Products				
SKHH Applicable to joint stem type		Red Blue Ivory Black Yellow	Keytop SK2AA00410 SK2AA00420 SK2AA00430 SK2AA00440 SK2AA00450	
SKHC SKQE Applicable to joint stem type		Clear Red Blue Ivory Black	Cap SK2AA00510 Keytop SK2AA00010 SK2AA00020 SK2AA00030 SK2AA00040 Keytop + Cap SK2AA00060 SK2AA00070 SK2AA00080 SK2AA00090	
SKHJ Sharp Feeling Soft Feeling Snap-in Type		Clear Red Blue Ivory Black Yellow	Cap SK2AA00520 Keytop SK2AA00210 SK2AA00220 SK2AA00230 SK2AA00240 SK2AA00250 Keytop + Cap SK2AA00260 SK2AA00270 SK2AA00280 SK2AA00290 SK2AA00300	
Surface Mount Type Radial Type SKEG Applicable to joint stem type		Clear Red Blue Ivory Black Yellow	Cap SK2AA00540 Keytop SK2AA00310 SK2AA00320 SK2AA00330 SK2AA00340 SK2AA00350 Keytop + Cap SK2AA00360 SK2AA00370 SK2AA00380 SK2AA00390 SK2AA00400	

**Notes**

1. The knob will be delivered together with the switch but packed separately.
2. The label is not included.
3. For SK2AA00010 to SK2AA00090 types, please check the mounting direction.

