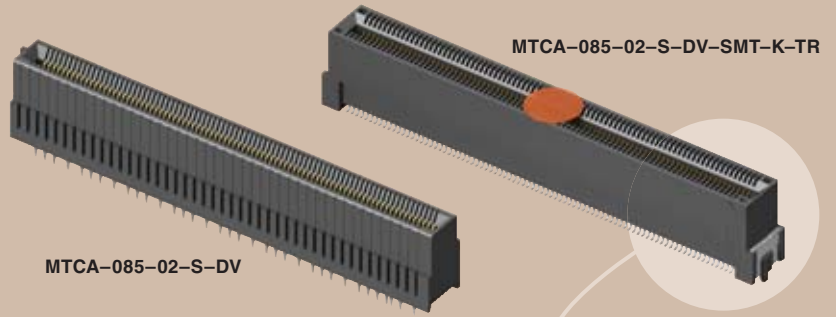


(0,75mm) .030"

MTCA SERIES



MICRO TCA CONNECTOR

SPECIFICATIONS

For complete specifications see www.samtec.com?MTCA

Insulator Material: LCP

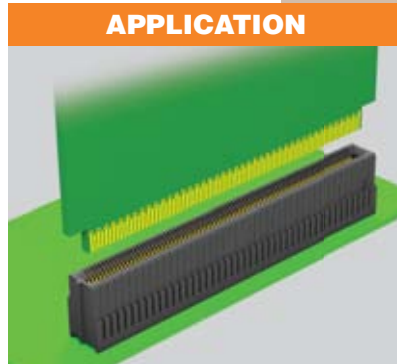
Terminal Material: Brass Alloy

Plating: Au or Sn over 50µ" (1,27µm) Ni

Current Rating: 2,3A @ 80°C ambient (See website for details)

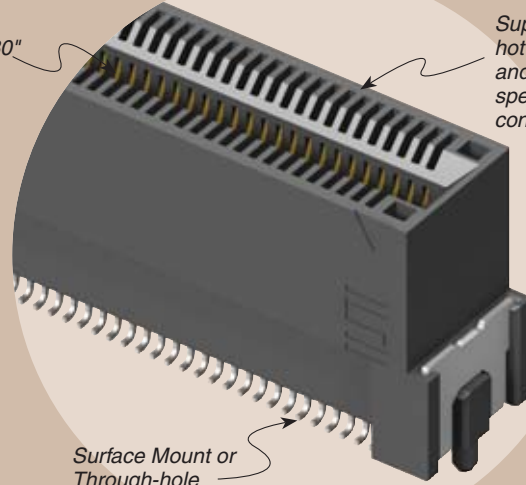
Operating Temp Range: -55°C to +125°C

Mates with:
(1,60 mm) .062" thick cards



Contacts on (0,75mm) .030" pitch

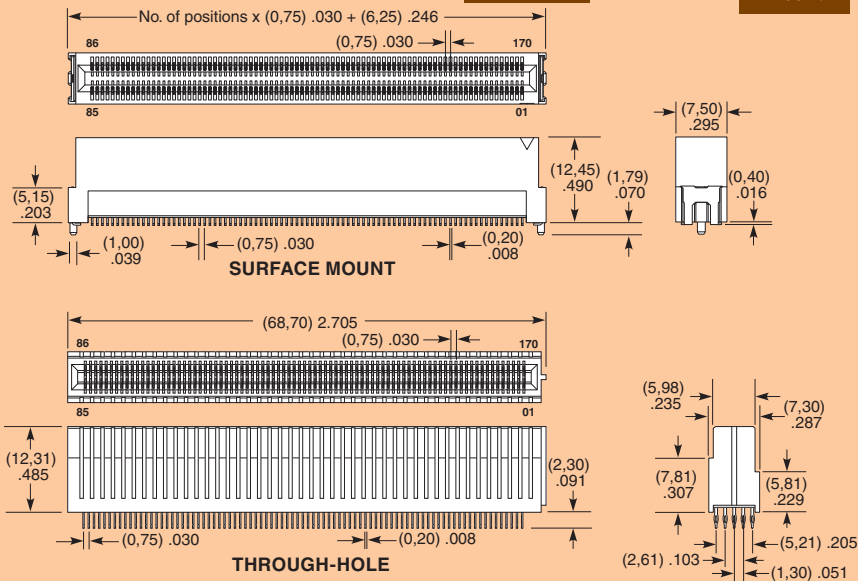
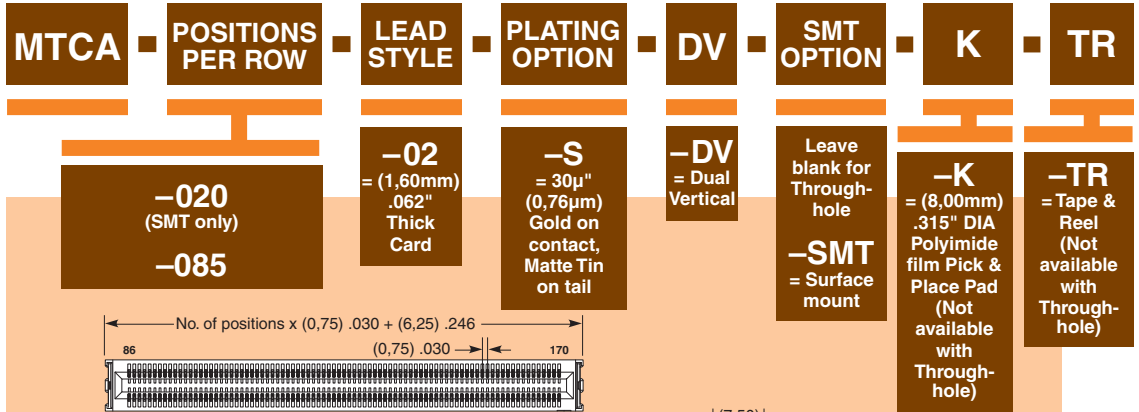
Supports hot plugging and high speed serial connections



Surface Mount or Through-hole

APPLICATION SPECIFIC OPTION

Additional positions available. Call Samtec.



Note: Some lengths, styles and options are non-standard, non-returnable.

Due to technical progress, all designs, specifications and components are subject to change without notice.

WWW.SAMTEC.COM