

## PCB Modular Jack Series

### KLS12-143-4P PCB Modular Jack 57 Series

#### MATERIAL

- 1.Housing Material: Glass Filled Polyester UL94V-0 PBT, NYLON
- 2.Housing Color: Black, Gray, Ivory, White or Others
- 3.Contact Material: Phosphor Bronze 0.35mm Flat Pin
- 4.PLATING: Gold plating over nickel. Gold plating thickness  
1.5u" / 3u" / 6u" / 15u" / 30u" / 50u"

#### ELECTRICAL

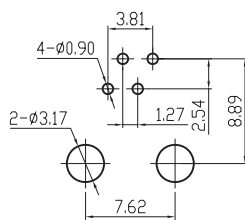
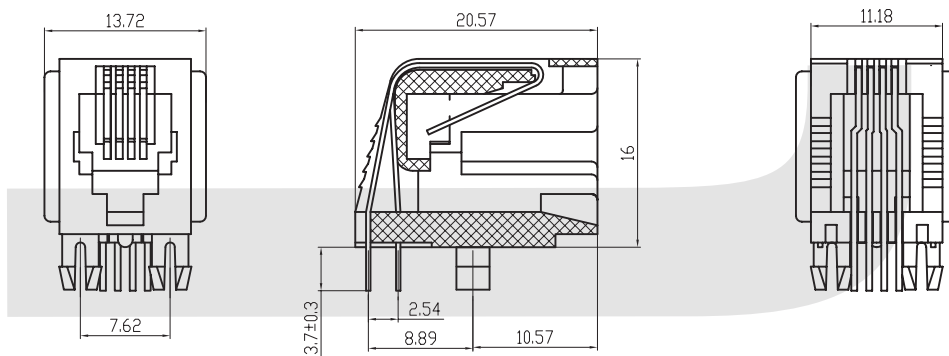
- 1.Current Rating:1.5Amp
- 2.Voltage Rating:125VAC
- 3.Contact Resistance: 30 MΩ Max.
- 4.Insulation Resistance: 500 MΩ Min. @500VDC
- 5.Withstanding Voltage:1000VAC RMS 50Hz 1 minute

#### MECHANICAL

- 1.Durability : 750 cycles Min.
- 2.PCB Retention pre-solder : 1 LB MIN

#### ENVIRONMENTAL

- 1.Storage :-40°C~+80°C
- 2.Operation:-40°C~+70°C



PC Board Layout

## ORDER INFORMATION

### KLS12-143 - 4P4C-W-B-XX-X

| Part Number | Point NO.                | Panel                             | Part Color                           | Gold Thickness  | Plastic                   |
|-------------|--------------------------|-----------------------------------|--------------------------------------|---|---------------------------|
|             | 4P4C Point<br>4P2C Point | W-With Panel<br>W/O-Without Panel | 1-Black<br>2-Gray<br>3-White<br>4-IV | 01-Fu"<br>02-3u"<br>03-6u"<br>04-15u"<br>05-30u"<br>06-50u" | 1-Nylon<br>2-PBT<br>3-ABS |